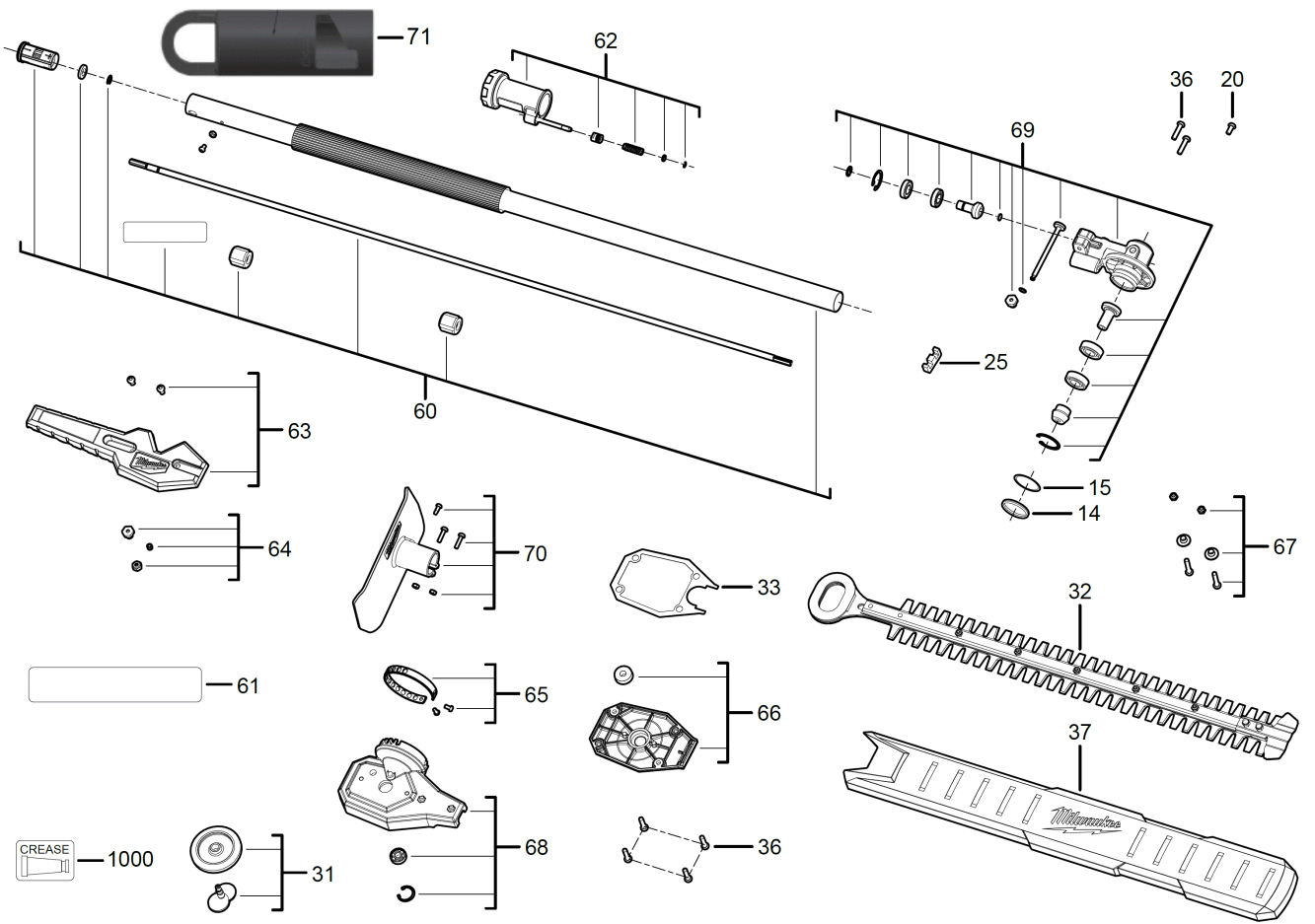


M18FOPH-HTA HEDGE TRIMMER ATTACHMENT XXX

4932464959 - M18FOPH-HTA - 4000469778





Position	Quantity	Description	Part number	EAN
0014 1	1	O-RING	4931466892	4058546281090
0015 2	1	WASHER	4931466893	4058546281106
0020 3	1	SCREW	4931466691	4058546279080
0025 4	1	SEAL	4931466894	4058546281113
0031 5	1	CRANK ASSEMBLY	4931466895	4058546281120
0032 6	1	BLADE	4931466896	4058546281137
0033 7	1	GASKET	4931466897	4058546281144
0036 8	6	SCREW	4931466683	4058546279004
0037 9	1	GUARD	4931466898	4058546281151
0060 10	1	RETAINING SLUG	4931466899	4058546281168
0061 11	1	RATING PLATE	4931466900	4058546281175
0062 12	1	HANDLE SET	4931466901	4058546281182
0063 13	1	COVER	4931466902	4058546281199
0064 14	1	FASTENING PARTS	4931466903	4058546281205
0065 15	1	LOCKING PLATE	4931466904	4058546281212
0066 16	1	COVER	4931466905	4058546281229
0067 17	1	FASTENING PARTS	4931466906	4058546281236
0068 18	1	HOUSING	4931466907	4058546281243
0069 19	1	GEAR BOX	4931466908	4058546281250
0070 20	1	COVER	4931466909	4058546281267
0071 21	1	HOOK	4931472309	4058546285265
1000 22	1	GEAR GREASE	4931443288	4002395255627