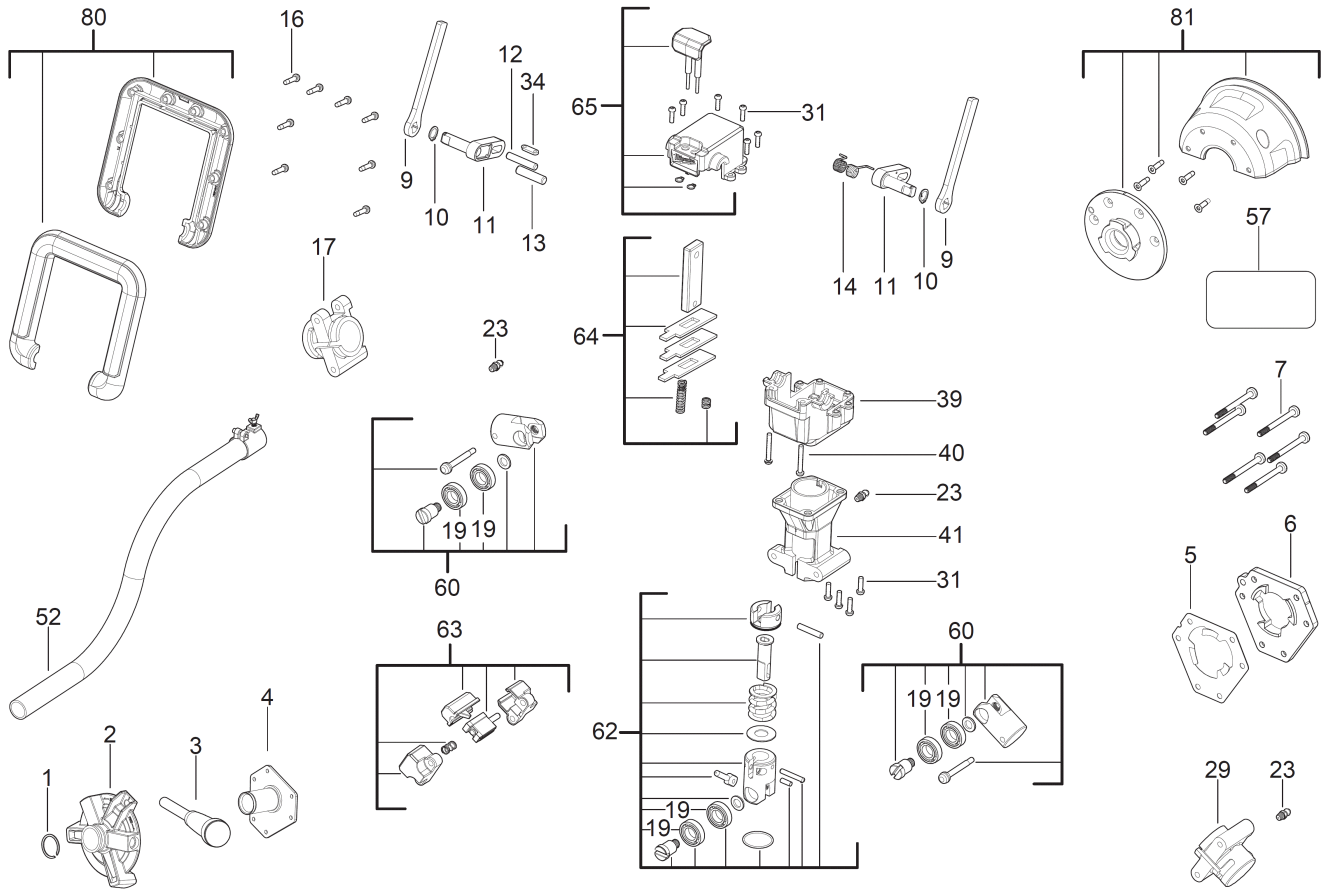


Switch Pack Auto-Feed for M18 FFSDC Seri

**4932471993 - AUTOFEED FOR SWITCHPACK EMEA -
4000471993**



Position	Quantity	Description	Part number	EAN
0001 1	1	RETAINING RING	4931473409	4058546352851
0002 2	1	RETAINING PLATE	4931473410	4058546352868
0003 3	1	KNOB HANDLE	4931473411	4058546352875
0004 4	1	GUIDE PIECE	4931473412	4058546352882
0005 5	1	SPRING ELEMENT	4931473413	4058546352899
0006 6	1	HOLDING PLATE	4931473414	4058546352905
0007 7	6	SCREW	4931473415	4058546352912
0009 8	2	LEVER	4931473416	4058546352929
0010 9	2	SPRING RING	4931461278	4058546034504
0011 10	2	ECCENTRIC SHAFT	4931473417	4058546352936
0012 11	1	PIN	4931473418	4058546352943
0013 12	1	PIN	4931473419	4058546352950
0014 13	1	SPRING	4931473420	4058546352967
0016 14	8	SCREW	4931465326	4058546234263
0017 15	1	BEARING CAGE	4931473421	4058546352974
0019 16	6	BALL BEARING	4931446535	4002395876907
0023 17	3	FLAT GREASE NIPPLE	4931473422	4058546352981
0029 18	1	BEARING CAGE	4931473423	4058546352998
0031 19	10	SCREW	4931472710	4058546330125
0034 20	1	BACKING PLATE	4931473424	4058546353001
0039 21	1	CUP	4931473425	4058546353018
0040 22	2	SCREW	4931473426	4058546353025
0041 23	1	BARREL	4931473427	4058546353032
0057 24	1	RATING PLATE	4931473428	4058546353049
0060 25	2	BEARING CAGE	4931473429	4058546353056
0062 26	1	BEARING CAGE	4931473430	4058546353063
0063 27	1	FASTENING PARTS	4931473431	4058546353070
0064 28	1	CLAMPING SET	4931473432	4058546353087
0065 29	1	HOUSING COVER	4931473433	4058546353094
0080 30	1	GRIP	4931473434	4058546353100
0052 31	1	Guide Hose for Switch Pack Auto-Feed	4932471994	4058546298937