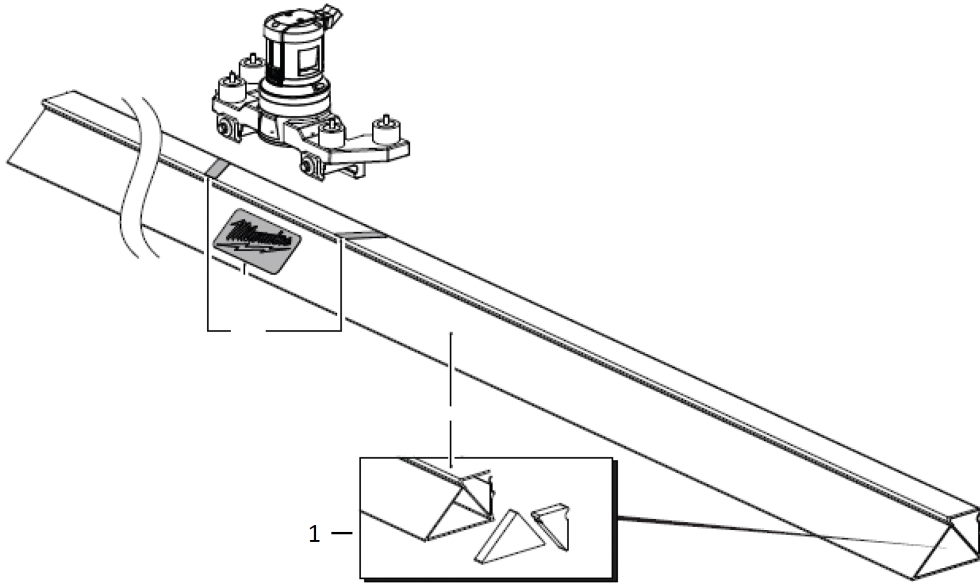


MXF PSB-4.87m

4932479782 - MXF PSB-4.8M - 4000491744





1 -

Position	Quantity	Description	Part number	EAN
1	1	PART NOT DEATAILED	1000063920	
0001 2	1	GUARD CAP SET	4931494579	4058546471514