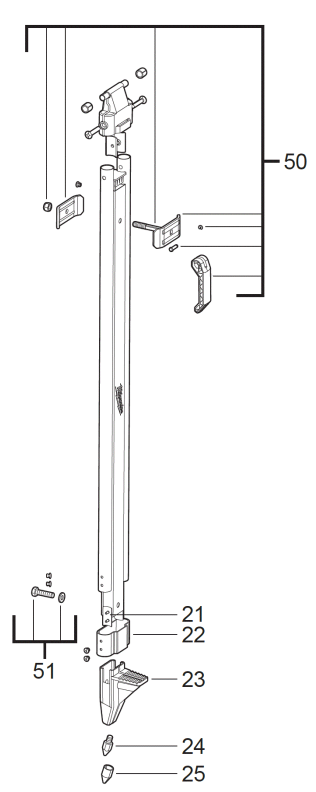
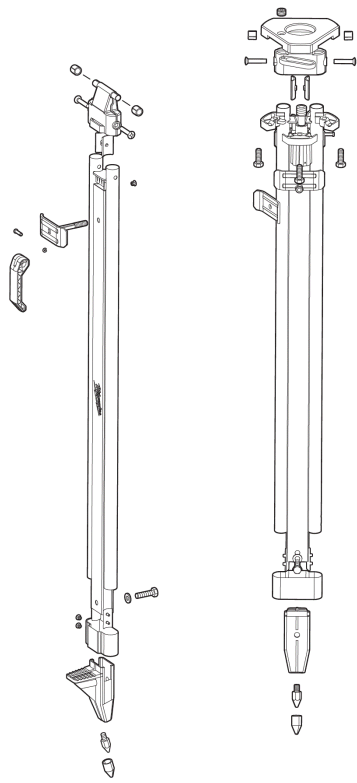
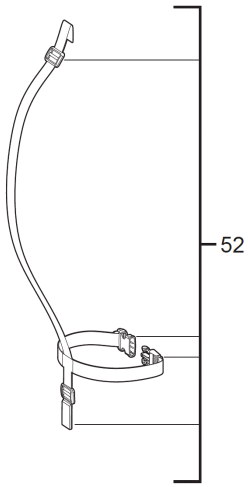


1.6 meter Tripod

4932493199 - TRP160 - 4000497425





| Position | Quantity | Description | Part number | EAN |
|-----------------|-----------------|--------------------|--------------------|---------------|
| 0021 1 | 6 | FREE BUSH | 4931496081 | 4058546532185 |
| 0022 2 | 3 | COVER | 4931496082 | 4058546532192 |
| 0023 3 | 3 | SHOE | 4931496083 | 4058546532208 |
| 0024 4 | 3 | SPIKE | 4931496084 | 4058546532215 |
| 0025 5 | 3 | CAP | 4931496085 | 4058546532222 |
| 0050 6 | 3 | HANDLE SET | 4931496086 | 4058546532239 |
| 0051 7 | 3 | SCREW | 4931496087 | 4058546532246 |
| 0052 8 | 1 | STRAP | 4931496079 | 4058546532161 |