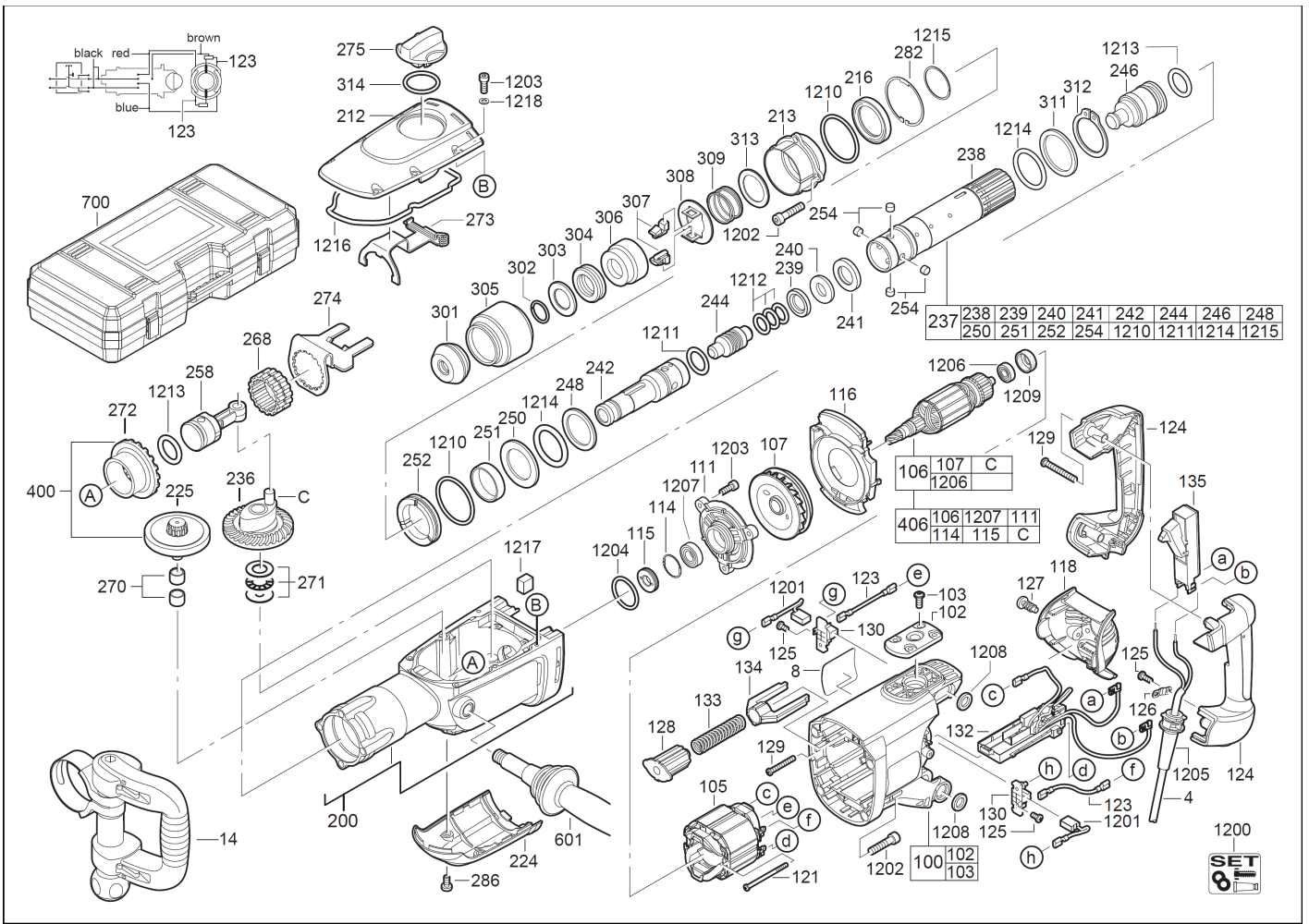


K950S SDS-Max C.HAMMER + Switch Lock IN2

4933375710 - K950S - 4000417163





Position	Quantity	Description	Part number	EAN
0004 1	1	CONNECTION CABLE	4931624696	4002395800872
0008 2	1	RATING PLATE	Item discontinued(4931417164)	
0014 3	1	HANDLE	4931398534	4002395776658
0100 4	1	MOTOR HOUSING	4931375740	4002395735723
0102 5	1	SECURED WASHER	4931375531	4002395711574
0103 6	4	SCREW	4931624213	4002395736096
0105 7	1	ELECTRIC FIELD	4931442746	4002395885244
0106 8	1	REPAIR KIT	4931432415	4002395899418
0107 9	1	FAN	4931375474	4002395711536
0111 10	1	BEARING END PLATE	4931426434	4002395842483
0114 11	1	LOCKING RING	4931890311	4002395706297
0115 12	1	SEAL RING NUT	4931375489	4002395711543
0116 13	1	AIR DEFLECTOR RING	4931375515	4002395731756
0118 14	1	SERVICING LID	4931375535	4002395731787
0121 15	2	SCREW	4931339996	4002395623976
0123 16	2	WIRE	4931624263	4002395724819
0124 17	1	PAIR HANDLE SHELLS	4931375560	4002395731817
0125 18	4	SCREW	4931624538	4002395760039
0126 19	1	CABLE COLLAR	4931256500	4002395586547
0127 20	2	SCREW	4931624537	4002395760022
0128 21	1	THRUST PIECE	4931375477	4002395731701
0129 22	5	SCREW N874101-1 SHR C-K5X45/20 KOMBITORX	4931622765	4002395699094
0130 23	2	BRUSH HOLDER	4931381694	4002395780303
0132 24	1	ELECTRONIC	4931409105	4002395791590
0133 25	1	PRESSURE SPRING	4931375529	4002395711550
0134 26	1	TRANSITION PIECE	4931375530	4002395711567
0135 27	1	SWITCH	4931375454	4002395731688
0200 28	1	GEAR BOX	4931412446	4002395799008
0212 29	1	GEAR BOX COVER	4931426459	4002395849697
0213 30	1	SEAL RETAINER	4931375569	4002395731824
0216 31	1	SEAL RING	4931624205	4002395714285
0224 32	1	GEAR COVER	4931375443	4002395711611
0225 33	1	COUPLING	Item discontinued(4931409714)	
0237 34	1	SPINDLE	4931375378	4002395731510
0238 35	1	SPINDLE SLEEVE	4931426172	4002395903276
0239 36	1	BACK-PRESSURE RING	4931375411	4002395731565
0240 37	1	BACK-PRESSURE RING	4931375412	4002395731572
0241 38	1	ATTACHMENT RING	4931409791	4002395841486
0242 39	1	DRIVER	4931426173	4002395876563
0244 40	1	SNAP DIE	4931375573	4002395720354
0246 41	1	PERCUSSION BODY	4931455429	4002395176472
0248 42	1	ATTACHMENT RING	4931375416	4002395731596
0250 43	1	WASHER	4931375418	4002395736003
0251 44	1	BALL RACE	4931375419	4002395731602
0252 45	1	THRUST COLLAR	4931375420	4002395731619
0254 46	4	DRIVER	4931463952	4058546270452
0258 47	1	PISTON COMPL.	4931375380	4002395731534
0268 48	1	SET COLLAR	4931396199	4002395748884
0270 49	2	NEEDLE BEARING	4931621847	4002395696192
0271 50	1	THRUST BEARING	4931409549	4002395815418

Position	Quantity	Description	Part number	EAN
0272 51	1	SPINDLE BEVEL GEAR	4931432420	4002395899449
0273 52	1	ADJUSTING PLATE	4931375583	4002395726493
0274 53	1	LOCKING PLATE	4931375401	4002395717064
0275 54	1	LEVER	4931375546	4002395731794
0282 55	1	RETAINING RING	4931624235	4002395717460
0286 56	2	SCREW	4931624236	4002395717477
0301 57	1	END COVER CAP	9170350243	4002395577330
0302 58	1	SPRING RING	9170319040	4002395571895
0303 59	1	DAMPING ELEMENT	4931409820	4002395834778
0304 60	1	DAMPING RING	4931375775	4002395739943
0305 61	1	Chuck Cover	9170316570	4002395570959
0306 62	1	INTERLOCK SLEAVE	4931409842	4002395844739
0307 63	2	INTERLOCK ELEMENT	4931468789	4058546390129
0308 64	1	INTERLOCK PLATE	4931375770	4002395739202
0309 65	1	PRESSURE SPRING	4931375594	4002395736423
0311 66	1	ATTACHMENT RING	4931375509	4002395731749
0312 67	1	RETAINING RING	4931624203	4002395714278
0313 68	1	DISC	4931375595	4002395739950
0314 69	1	O-RING N874701 26X3	4931622166	4002395696963
0406 70	1	REPAIR KIT	4931432416	4002395895465
0601 71	1	HANDLE	4931375516	4002395736027
0700 72	1	CARRYING CASE	Item discontinued(4931400760)	
1200 73	1	MAINTENANCE SET	4931375659	4002395733927
1201 74	1	CARBON BRUSH SET	4931375556	4002395720323
1202 75	8	SCREW	4931624234	4002395717453
1203 76	9	SCREW D 912 M5X16 8.8SSI	4931624276	4002395727858
1204 77	1	SEAL RING	4931624237	4002395717484
1205 78	1	PROTECTING COVER	4931392174	4002395772872
1206 79	1	BALL BEARING	4931341741	4002395627004
1207 80	1	GROOVED BALL BEAR.	4931398189	4002395767304
1208 81	4	SEAL RING	4931624170	4002395710904
1209 82	1	RUBBER SLEEVE	4931317212	4002395599806
1210 83	2	SEAL RING N874701 28X5	4931624156	4002395731879
1211 84	1	SEAL RING N874701 28X5	4931624161	4002395731909
1212 85	3	SEAL RING N874701 28X5	4931624155	4002395731862
1213 86	2	SEAL RING N874701 28X5	4931624158	4002395731893
1214 87	2	SEAL RING N874701 28X5	4931624157	4002395731886
1215 88	1	SPRING RING N874268 SW 20	4931624153	4002395731855
1216 89	1	GASKET	4931375506	4002395731725
1217 90	1	FELT	4931375508	4002395731732
1218 91	6	SEALING WASHER	4931603515	4002395693481