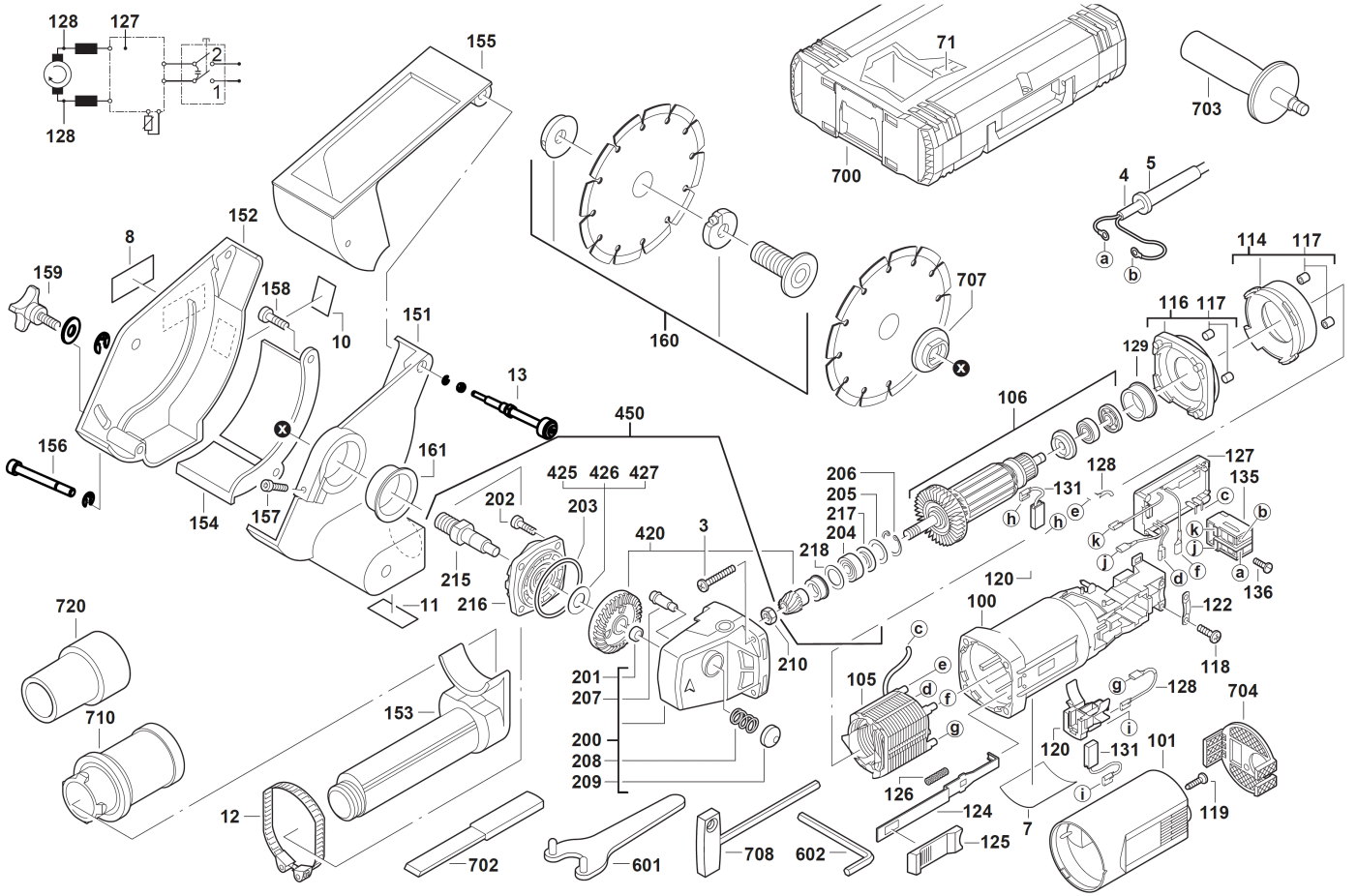


WCE30 240V WALL CHASER IN2

4933383855 - WCE30 - 4000383856





Position	Quantity	Description	Part number	EAN
0003 1	4	SCREW D 7981 3,9X32	4931621515	4002395695508
0004 2	1	CONNECTION CABLE	4931623861	4002395704293
0005 3	1	CABLE ENTRY SLEEVE	4931218785	4002395583805
0007 4	1	RATING PLATE	4931476737	4058546391843
0008 5	1	NAME PLATE	4931383017	4002395692286
0010 6	1	DATA PLATE	4931334659	4002395616305
0011 7	1	DATA PLATE	4931334660	4002395616312
0012 8	1	LATCH PLATE	4931334664	4002395616329
0013 9	1	THREADED PIN	4931463109	4058546243500
0071 10	1	INSERT	4931378697	4002395684427
0100 11	1	HOUSING SET ASSY	4931449153	4002395151943
0101 12	1	HOUSING CAP	4931407395	4002395790852
0105 13	1	ELECTRIC FIELD	4931442728	4002395884582
0106 14	1	ARMATURE	4931442662	4002395883196
0114 15	1	Not available for this version	1000000003	
0116 16	1	INTERMEDIATE FLANGE	4931369787	4002395674190
0117 17	2	HOLDING-DOWN DEVICE	4931409768	4002395847617
0118 18	2	SCREW	4931624538	4002395760039
0119 19	1	SCREW D 7985 M 4X16	4931619914	4002395695225
0120 20	2	BRUSH HOLDER	4931326923	4002395607778
0122 21	1	CABLE COLLAR	4931256500	4002395586547
0124 22	1	GUIDE PIECE	4931326959	4002395607877
0125 23	1	SLIDER	4931455746	4002395176694
0126 24	1	PRESSURE SPRING	4931326981	4002395607945
0127 25	1	ELECTRONIC ELEMENT	4931362699	4002395661398
0128 26	2	WIRE	4931623738	4002395703692
0129 27	1	BEARING SLEEVE	4931326953	4002395607846
0131 28	1	CARBON BRUSH SET	4931369477	4002395673476
0135 29	1	SWITCH	4931326976	4002395607938
0136 30	2	SCREW D 85 AM 3,5X5	4931617313	4002395694761
0151 31	1	SUCTION CAP	4931476185	4058546342715
0152 32	1	GUARD CAP	4931476110	4058546342500
0153 33	1	CONNECTION	4931476118	4058546388850
0154 34	1	AIR DEFLECTOR RING	4931476112	4058546342524
0155 35	1	ALTITUDE ADJUSTMENT	4931476113	4058546342531
0156 36	1	SCREW	4931449441	4002395258628
0157 37	1	SCREW	4931622928	4002395699735
0158 38	2	SCREW D 912 M 4X8 GAL	4931617290	4002395694747
0159 39	1	GRIP	4931449442	4002395258635
0160 40	1	TENSIONING DEVICE	4931449155	4002395258185
0161 41	1	ISOLATION SLAFE	4931362742	4002395661473
0200 42	1	GEAR BOX	4931412193	4002395798919
0201 43	1	SLEEVE N874989 HKO 0810	4931912093	4002395706464
0202 44	4	SCREW	4931317532	4002395600175
0203 45	1	COMPENSATING WASHER	4931254894	4002395586448
0204 46	1	GROOVED BALL BEAR.	4931368037	4002395670642
0205 47	1	DISC	4931622761	4002395699056
0206 48	1	LOCKING RING	4931616614	4002395694624
0207 49	1	LOCKING BOLT	4931326929	4002395607785
0208 50	1	PRESSURE SPRING	4931326942	4002395607822

Position	Quantity	Description	Part number	EAN
0209 51	1	PUSH-BUTTON	4931326930	4002395607792
0210 52	1	NUT	4931326952	4002395607839
0215 53	1	SPINDLE	4931409809	4002395838691
0216 54	1	BEARING END PLATE	4931385801	4002395720705
0217 55	1	WASHER	4931624287	4002395732098
0218 56	1	WASHER	4931362085	4002395660254
0420 57	1	BEVEL GEAR PAIR	4931369887	4002395674398
0425 58	1	DISC N874237 12,2X22X0,1	4931808473	4002395727544
0426 59	1	DISC N874237 12,2X22X0,2	4931925940	4002395706624
0427 60	1	DISC	4931624256	4002395723379
0450 61	1	DRIVE GEAR	4931391477	4002395735891
0602 62	1	SCREW DRIVER	4931606753	4002395693757
0707 63	1	CLAMPING FLANGE	4931348960	4002395773084
0708 64	1	T-SPANNER	4931362928	4002395661879
0720 65	1	NOSEPIECE	4931419658	4002395840359
0601 66	1	PIN SPANNER 115-230/WP/WSAP1 A/M	4932367712	4002395338467
0700 67	1	CARRYING CASE SIZE2 MET	Item discontinued(4932383162)	
0702 68	1	BREAK-OUT CHISEL DME P1 AEG	Item discontinued(4932371358)	
0703 69	1	HANDLE	4932409546	4002395370870
0710 70	1	ADAPTER DME P1 AEG	4932362778	4002395334285