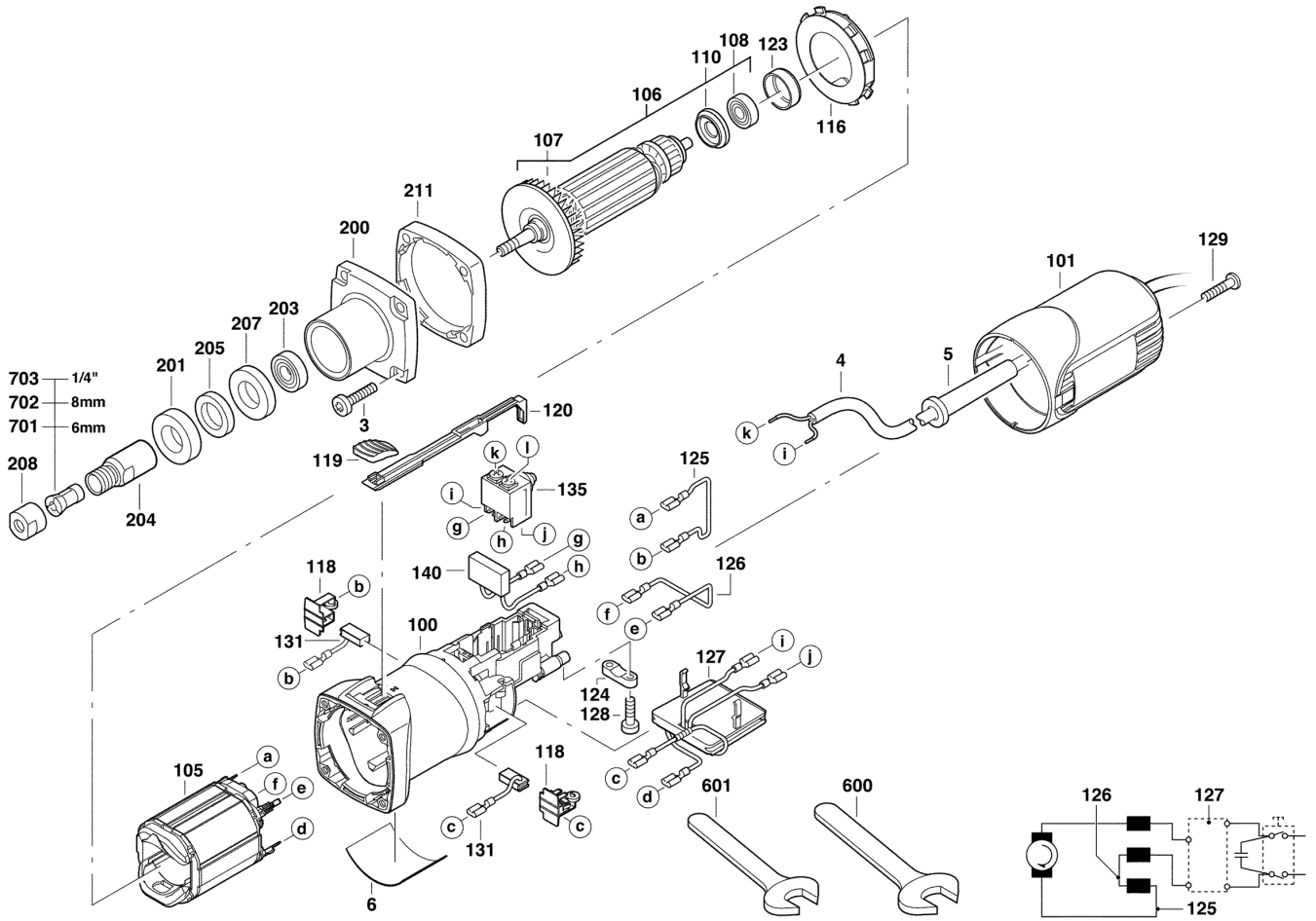


DG30E STRAIGHT SANDER IN2

4933385100 - DG30E - 4000415245





Position	Quantity	Description	Part number	EAN
0003 1	4	SCREW D 7981 3,9X32	4931621515	4002395695508
0004 2	1	CONNECTION CABLE	4931624121	4002395705627
0005 3	1	CABLE ENTRY SLEEVE	4931206687	4002395583379
0006 4	1	RATING PLATE	4931476713	4058546391607
0100 5	1	MOTOR HOUSING	4931403004	4002395755509
0101 6	1	HOUSING CAP	4931403010	4002395755561
0105 7	1	ELECTRIC FIELD	4931442714	4002395882595
0106 8	1	ARMATURE	4931442643	4002395884469
0107 9	1	FAN	Item discontinued(4931368347)	
0108 10	1	BALL BEARING	4931902888	4002395706372
0110 11	1	INSULATING DISC	4931385658	4002395719846
0116 12	1	AIR DEFLECTOR RING	4931368549	4002395714933
0118 13	2	BRUSH HOLDER	4931368633	4002395746545
0119 14	1	SLIDER	4931368501	4002395714209
0120 15	1	GUIDE PIECE	4931368333	4002395671441
0123 16	1	RUBBER SLEEVE	4931393018	4002395743940
0124 17	1	CABLE COLLAR	4931256500	4002395586547
0125 18	1	WIRE	4931624081	4002395705467
0126 19	1	WIRE	4931253598	4002395586134
0127 20	1	ELECTRIC ELEMENT	4931385106	4002395720668
0128 21	2	SCREW	4931624538	4002395760039
0129 22	2	SCREW	4931618253	4002395694945
0131 23	1	CARBON BRUSH SET	4931392611	4002395740628
0135 24	1	SWITCH	4931385824	4002395724833
0140 25	1	CAPACITOR	4931403213	4002395759668
0200 26	1	FLANGE	Item discontinued(4931385547)	
0201 27	1	SEAL RING	4931278527	4002395589548
0203 28	1	BALL BEARING	4931901253	4002395706358
0204 29	1	SPINDLE SLEEVE	4931351872	4002395640812
0205 30	1	FELT WASHER	4931278529	4002395589562
0207 31	1	SPACER	4931278549	4002395589593
0208 32	1	NUT	4931409786	4002395839728
0211 33	1	INTERMEDIATE FLANGE	4931354044	4002395643615
0600 34	1	KEY D 894 17	4931822228	4002395706181
0601 35	1	KEY D894 15	4931606563	4002395693726
0701 36	1	COLLET OF/E 6MM P1 A/M	4932313192	4002395302833
0702 37	1	COLLET OF/E 8MM P1 A/M	4932313190	4002395302840
0703 38	1	COLLET OFS450 6.35MM P1 A/M	4932313194	4002395302857