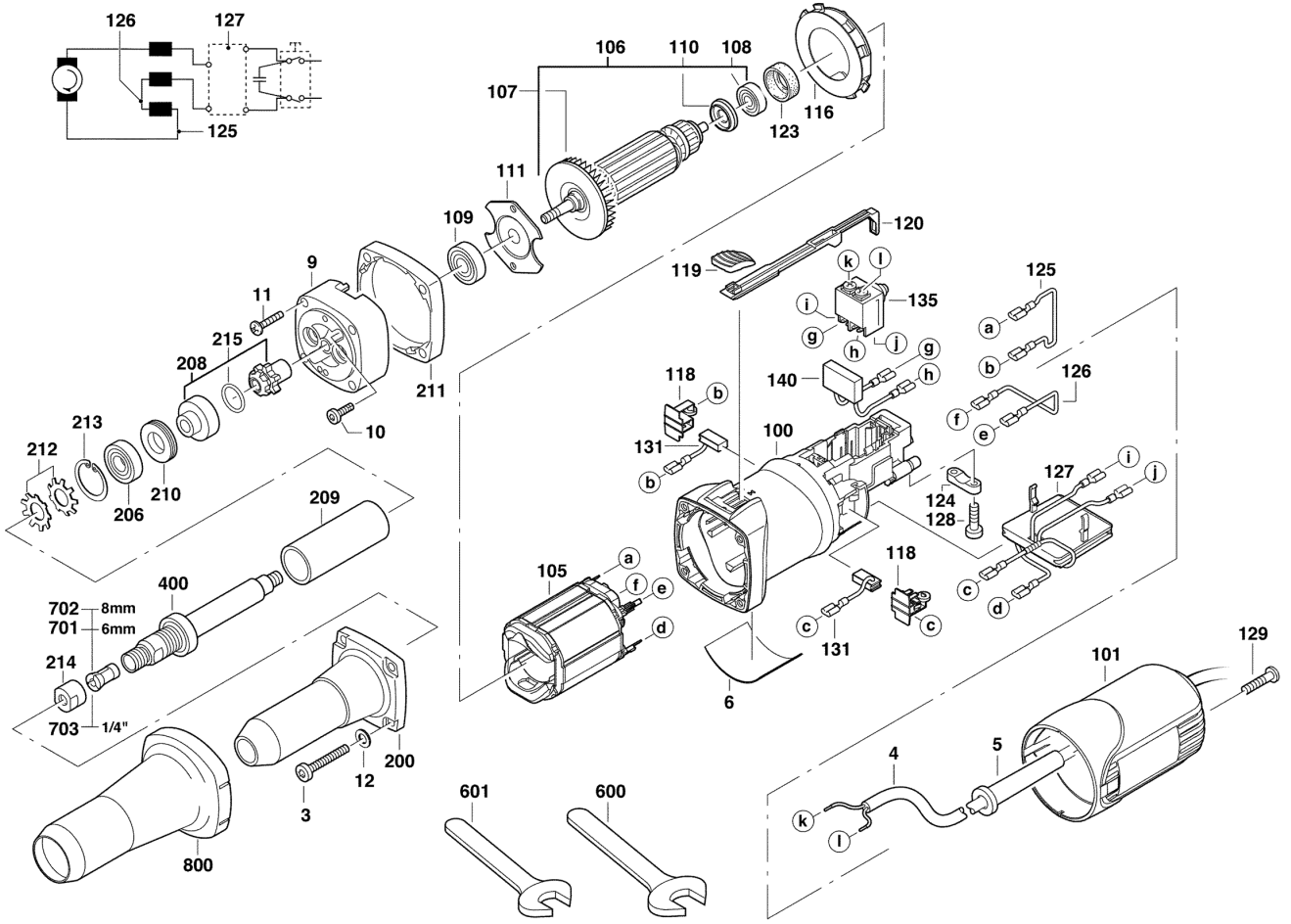


DGL30E STRAIGHT SANDER IN2

4933385120 - DGL30E - 4000415240





Position	Quantity	Description	Part number	EAN
0003 1	4	SCREW	4931317532	4002395600175
0004 2	1	CONNECTION CABLE	4931624121	4002395705627
0005 3	1	CABLE ENTRY SLEEVE	4931206687	4002395583379
0006 4	1	RATING PLATE	4931476711	4058546391584
0009 5	1	BEARING END PLATE	4931426201	4002395834068
0010 6	2	SCREW	4931279999	4002395590650
0011 7	4	SCREW D 7981 3,9X40	4931622399	4002395697700
0012 8	4	SEALING WASHER D 433 4,3	4931617414	4002395694792
0100 9	1	MOTOR HOUSING	4931403004	4002395755509
0101 10	1	HOUSING CAP	4931403010	4002395755561
0105 11	1	ELECTRIC FIELD	4931442714	4002395882595
0106 12	1	ARMATURE	4931442643	4002395884469
0107 13	1	FAN	Item discontinued(4931368347)	
0108 14	1	BALL BEARING	4931902888	4002395706372
0109 15	1	BALL BEARING	4931901253	4002395706358
0110 16	1	INSULATING DISC	4931385658	4002395719846
0111 17	1	BEARING COVER	4931351913	4002395640904
0116 18	1	AIR DEFLECTOR RING	4931368549	4002395714933
0118 19	2	BRUSH HOLDER	4931368633	4002395746545
0119 20	1	SLIDER	4931368501	4002395714209
0120 21	1	GUIDE PIECE	4931368333	4002395671441
0123 22	1	RUBBER SLEEVE	4931393018	4002395743940
0124 23	1	CABLE COLLAR	4931256500	4002395586547
0125 24	1	WIRE	4931624081	4002395705467
0126 25	1	WIRE	4931253598	4002395586134
0127 26	1	ELECTRIC ELEMENT	4931385106	4002395720668
0128 27	2	SCREW	4931624538	4002395760039
0129 28	2	SCREW	4931618253	4002395694945
0131 29	1	CARBON BRUSH SET	4931392611	4002395740628
0135 30	1	SWITCH	4931385824	4002395724833
0140 31	1	CAPACITOR	4931403213	4002395759668
0200 32	1	BEARING CAGE	4931449947	4002395172849
0206 33	1	BALL BEARING D 625 6001 ZTH LDS	4931804500	4002395705894
0208 34	1	MODIFICATION SET	4931417294	4002395828050
0209 35	1	DISTANCE SLEEVE	4931208217	4002395583386
0210 36	1	NUT	4931208219	4002395583393
0211 37	1	INTERMEDIATE FLANGE	4931354044	4002395643615
0212 38	2	SPRING	4931220726	4002395583935
0213 39	1	LOCKING RING	4931884220	4002395706259
0214 40	1	CLAMPING NUT	4931409786	4002395839728
0215 41	1	SEAL RING	4931623232	4002395701094
0400 42	1	GRINDING SPINDLE	4931278595	4002395589609
0600 43	1	KEY D 894 17	4931822228	4002395706181
0601 44	1	KEY D894 15	4931606563	4002395693726
0800 45	1	SLEEVE	4931463143	4058546291242
0701 46	1	COLLET OF/E 6MM P1 A/M	4932313192	4002395302833
0702 47	1	COLLET OF/E 8MM P1 A/M	4932313190	4002395302840
0703 48	1	COLLET OFS450 6.35MM P1 A/M	4932313194	4002395302857