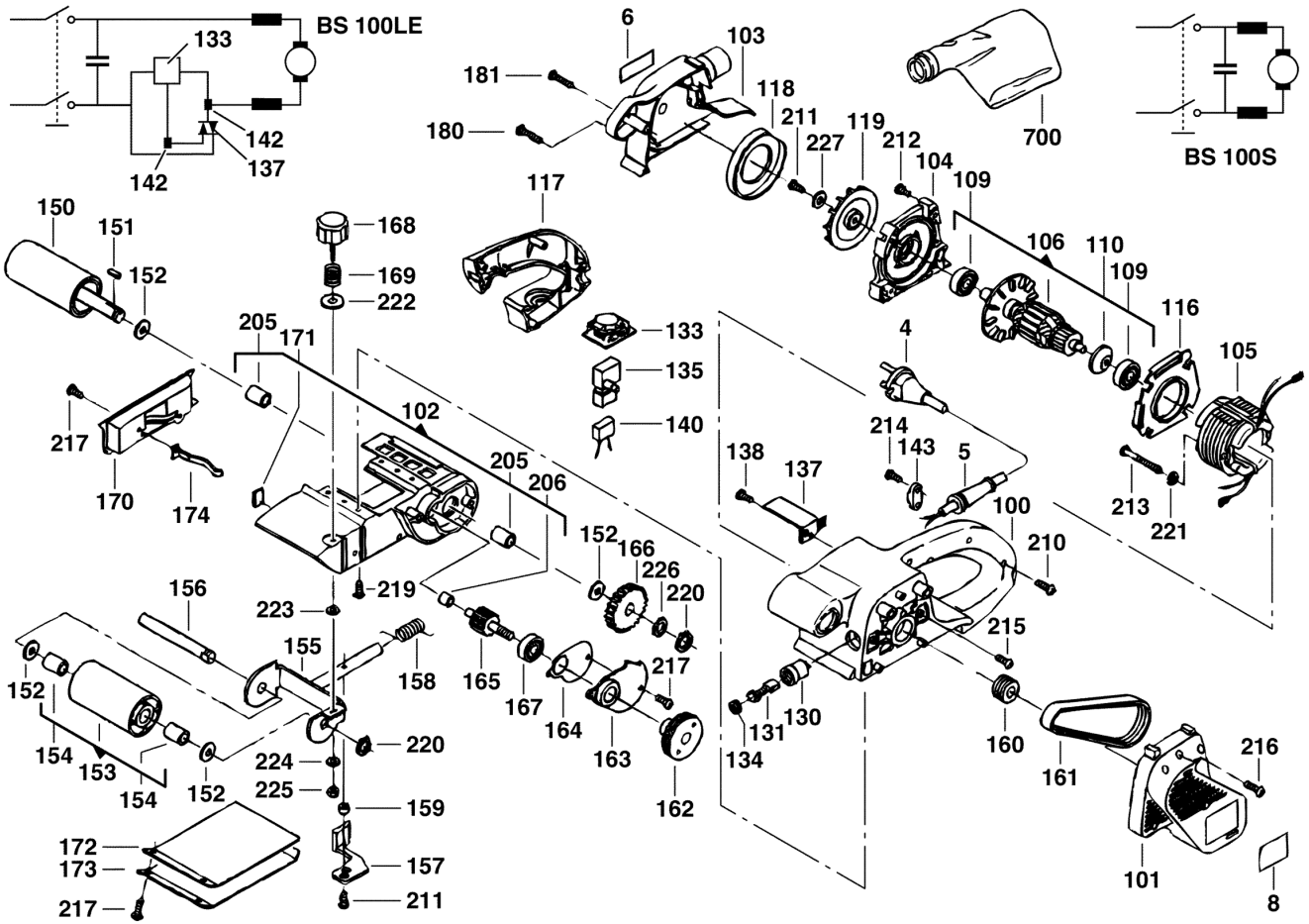


# BS100LE ELECT.W.BELT SANDER IN2

4933385150 - BS100LE - 4000385151





Position	Quantity	Description	Part number	EAN
0004 1	1	CONNECTION CABLE	4931250832	4002395586042
0005 2	1	PROTECTING COVER	4931375305	4002395680092
0006 3	1	RATING PLATE	Item discontinued(4931385158)	
0008 4	1	NAME PLATE	Item discontinued(4931385166)	
0100 5	1	MOTOR HOUSING	Item discontinued(4931385160)	
0101 6	1	BELT GUARD	4931375309	4002395680139
0102 7	1	ABSOLUTE UNIT	4931385162	4002395738090
0103 8	1	BLOWER COVER	Item discontinued(4931385164)	
0104 9	1	BEARING END PLATE	4931375296	4002395680009
0105 10	1	ELECTRIC FIELD	4931278688	4002395589630
0106 11	1	ARMATURE	4931375297	4002395680016
0109 12	2	BALL BEARING D 625 6200 2RS LDS	4931913855	4002395706495
0110 13	1	SEAL RING	Item discontinued(4931278753)	
0116 14	1	AIR DEFLECTOR RING	4931375298	4002395680023
0117 15	1	HANDLE COVER	Item discontinued(4931385161)	
0118 16	1	AIR DEFLECTOR RING	Item discontinued(4931278709)	
0119 17	1	FAN	4931375295	4002395679997
0130 18	2	BRUSH HOLDER	4931375310	4002395680146
0131 19	1	CARBON BRUSH SET	4931375311	4002395680153
0133 20	1	ELECTRONIC ELEMENT	4931375301	4002395680054
0134 21	2	BRUSH HOLDER CAP	4931375312	4002395680160
0135 22	1	SWITCH	4931385159	4002395738076
0137 23	1	TRIAC	Item discontinued(4931375303)	
0138 24	3	SCREW	Item discontinued(4931278748)	
0140 25	1	CAPACITOR	4931309142	4002395594221
0142 26	2	CONNECTOR	4931239963	4002395584796
0143 27	1	CABLE COLLAR	Item discontinued(4931375304)	
0150 28	1	DRIVING ROLL	4931278727	4002395589791
0151 29	1	RETAINING BOLT	4931610418	4002395694020
0152 30	4	WASHER	4931278754	4002395590049
0153 31	1	STEERING ROLLER	4931278741	4002395589920
0154 32	4	BEARING SLEEVE	4931278756	4002395590056
0155 33	1	STEERING ROLL.SUPP	4931345231	4002395632657
0156 34	1	STEERING ROLL.AXLE	4931278736	4002395589876
0157 35	1	TENSION LEVER	4931345232	4002395632664
0158 36	1	SPRING	4931278738	4002395589890
0159 37	1	DISTANCE SLEEVE	4931278739	4002395589906
0160 38	1	PULLEY	4931278723	4002395589753
0161 39	1	TOOTHED BELT	4931278724	4002395589760
0162 40	1	PULLEY	4931278733	4002395589845
0163 41	1	GEAR BOX COVER	4931278732	4002395589838
0164 42	1	GASKET	4931278770	4002395590087
0165 43	1	PINION	4931313801	4002395598052
0166 44	1	GEAR	4931278730	4002395589814
0167 45	1	BALL BEARING D 625 6200 2Z LDS	4931918146	4002395706532
0168 46	1	ADJUSTING SCREW	4931375313	4002395680177
0169 47	1	SPRING	4931278729	4002395589807
0170 48	1	COVER	4931385165	4002395738113
0171 49	3	GUIDE	4931375315	4002395680191
0172 50	1	SUPP. FOR SAND BELT	4931345233	4002395632671

Position	Quantity	Description	Part number	EAN
0173 51	1	SPRING PLATE	4931345234	4002395632688
0174 52	1	SPRING	4931278699	4002395589654
0180 53	4	SCREW	Item discontinued(4931345225)	
0181 54	1	SCREW	Item discontinued(4931375293)	
0206 55	1	SLEEVE N874989 HKO 0810	4931912093	4002395706464
0210 56	8	SCREW	Item discontinued(4931375308)	
0211 57	2	SCREW	4931278751	4002395590025
0212 58	4	SCREW	Item discontinued(4931278760)	
0213 59	2	SCREW	Item discontinued(4931278746)	
0214 60	2	SCREW	Item discontinued(4931278749)	
0217 61	6	SCREW	4931278750	4002395590018
0219 62	4	SCREW	Item discontinued(4931375325)	
0220 63	2	RING D471 12X1	4931605142	4002395693627
0221 64	2	SPRING WASHER	Item discontinued(4931615407)	
0222 65	1	BACKING FLANGE	4931278771	4002395590094
0223 66	1	SEALING WASHER D 125 5,3 GAL	4931615675	4002395694419
0224 67	1	SEALING WASHER D 125 4,3 GAL	4931615865	4002395694440
0225 68	1	NUT D 985 M 4	4931621424	4002395695355
0226 69	1	DISC	4931375324	4002395680283
0227 70	1	SEALING WASHER	4931603515	4002395693481
0700 71	1	DUST BAG HBS(E)/BBS(E) P1 A/M	4932336597	4002395311026