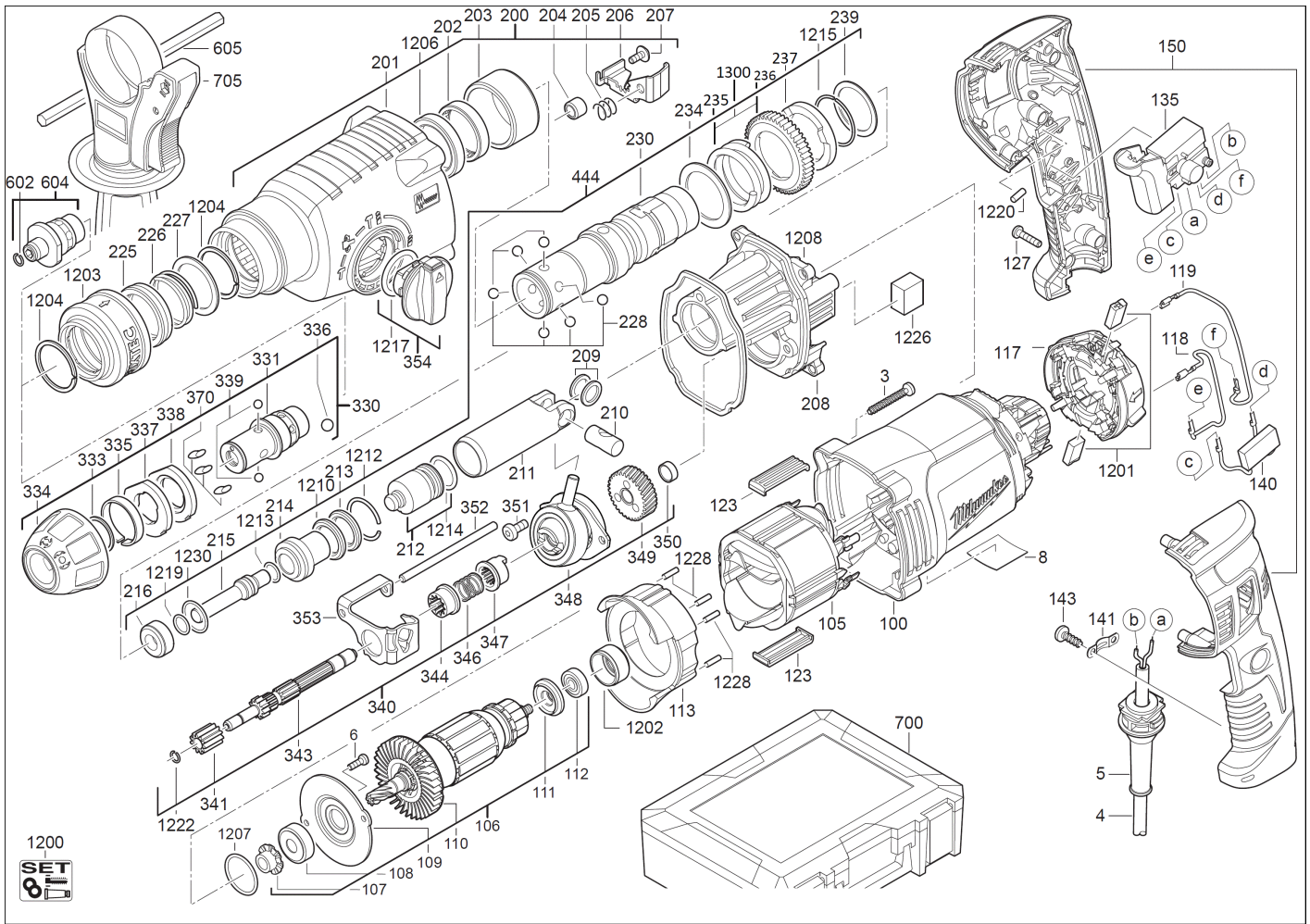


PH28X COMBI HAMMER IN2

4933396392 - PH28X - 4000396393





Position	Quantity	Description	Part number	EAN
0003 1	4	SCREW	4931624616	4002395784257
0004 2	1	CONNECTION CABLE	4931302112	4002395591657
0005 3	1	PROTECTING COVER	4931393422	4002395752836
0006 4	2	SCREW	4931624581	4002395768295
0008 5	1	RATING PLATE	4931455680	4002395175826
0100 6	1	MOTOR HOUSING	4931396317	4002395755134
0105 7	1	ELECTRIC FIELD	4931442733	4002395883943
0106 8	1	ARMATURE	4931442668	4002395883851
0107 9	1	slinger sleeve	Item discontinued(4931396536)	
0108 10	1	GROOV. BALL BEARING	Item discontinued(4931396535)	
0109 11	1	BEARING COVER	4931396325	4002395752805
0110 12	1	FAN	4931342793	4002395628544
0111 13	1	INSULATING DISC	4931396442	4002395766680
0112 14	1	BALL BEARING	4931902888	4002395706372
0113 15	1	AIR DEFLECTOR RING	4931396534	4058546075071
0117 16	1	SET COLLAR	4931396546	4002395798773
0118 17	1	WIRE	4931396529	4002395789313
0119 18	1	WIRE	4931396530	4002395789320
0123 19	2	CENTERING LEDGE	4931342808	4002395628612
0127 20	6	SCREW N874101-1 SHR H-K4X18 T15	4931624515	4002395757367
0135 21	1	SWITCH BOARD	4931396366	4002395761623
0140 22	1	CAPACITOR	4931311062	4002395594818
0141 23	1	CABLE COLLAR	4931256500	4002395586547
0143 24	2	SCREW	4931624538	4002395760039
0150 25	1	HANDLE	4931396319	4002395755141
0200 26	1	GEAR BOX	4931396375	4002395764082
0201 27	1	GEAR BOX	4931396305	4002395755653
0202 28	1	NEEDLE BUSH	4931331760	4002395613847
0203 29	1	BEARING	4931396373	4002395762446
0204 30	1	NEEDLE BEARING N874989 HK 0709	4931933756	4002395706785
0205 31	1	PRESSURE SPRING	4931396432	4002395766116
0206 32	1	LOCKING PLATE	4931396385	4002395766130
0207 33	1	SCREW	4931396462	4002395780587
0208 34	1	BEARING END PLATE	4931396314	4002395757343
0209 35	2	WASHER	4931365112	4002395666027
0210 36	1	CYLINDRICAL BOLT	4931396336	4002395754991
0211 37	1	CYLINDER	4931396541	4002395792818
0212 38	1	PERCUSSION BODY	4931455431	4002395176496
0213 39	1	THRUST COLLAR	4931396548	4002395800612
0214 40	1	SLEEVE	4931409779	4002395835416
0215 41	1	SNAP DIE	4931396428	4002395766727
0216 42	1	STOP WASHER	4931396427	4002395766710
0225 43	1	RING STOP	4931409754	4002395905690
0226 44	1	PRESSURE SPRING	692737001	4002395854189
0227 45	1	WASHER	4931624257	4002395726158
0228 46	6	BALL	4931805437	4002395706037
0230 47	1	SPINDLE SLEEVE	4931417458	4002395833467
0234 48	1	WASHER	4931624457	4002395755172
0237 49	1	CLUTCH DISC	4931396339	4002395755028
0239 50	1	WASHER	4931624639	4002395787661

Position	Quantity	Description	Part number	EAN
0330 51	1	ADAPTER	4931384684	4002395731107
0331 52	1	ADAPTER	4931409763	4002395834709
0333 53	1	SPRING RING	4931622874	4002395699568
0334 54	1	SET SLEEVE	4931384681	4002395730919
0335 55	1	SPRING	4931321064	4002395602865
0336 56	1	BALL	4931911572	4002395706457
0337 57	1	JUMPER RING	4931343034	4002395629251
0338 58	1	SPACER	4931343057	4002395629299
0339 59	2	BALL	4931805413	4002395706020
0340 60	1	REDUCTION GEAR	4931396306	4002395757336
0341 61	1	SPROCKET	4931375873	4002395789627
0343 62	1	REDUCT. GEAR SHAFT	4931417721	4002395835126
0344 63	1	INTERN.GEARED WHEEL	4931375874	4002395766833
0346 64	1	PRESSURE SPRING	4931396545	4002395794065
0347 65	1	COUPLING SLEEVE	4931396329	4002395755066
0348 66	1	WOBBLE DRIVE	4931396522	4002395794072
0349 67	1	REDUCT GEAR WHEEL	4931426239	4002395905850
0350 68	1	DISTANCE SLEEVE	4931396369	4002395756001
0351 69	2	SCREW	4931624678	4002395791873
0352 70	1	CYLINDER PIN	4931624471	4002395755202
0353 71	1	SLIDING SWITCH	4931396384	4002395766277
0354 72	1	SWITCH HANDLE	4931396347	4002395755127
0370 73	3	HOLDING-DOWN DEVICE	4931396400	4002395751198
0444 74	1	SPINDLE SLEEVE	4931407935	4002395814213
0602 75	1	RING SPRING	4931302074	4002395591602
0604 76	1	CHUCK ADAPTER	4931392452	4002395736379
0605 77	1	DEPTH GAUGE	4931384434	4002395719402
0700 78	1	CARRYING CASE	4931415325	4002395825769
0705 79	1	HANDLE	4931392747	4002395751419
1200 80	1	MAINTENANCE SET	4931396419	4002395788682
1201 81	1	CARBON BRUSH SET	4931396547	4002395814398
1202 82	1	RUBBER SLEEVE	4931396532	4002395790272
1203 83	1	SLEEVE	4931396445	4002395766734
1204 84	2	SPRING RING	4931945764	4002395707317
1206 85	1	SEAL RING D 3760 AS 22X35X7	4931624259	4002395726202
1207 86	1	SEAL RING	4931623961	4002395704934
1208 87	1	SEAL	4931396374	4002395762453
1210 88	1	SEAL RING	4931396461	4002395780570
1212 89	1	RING	4931623636	4002395703142
1213 90	1	O-RING	4931454456	4058546008840
1214 91	1	SEAL RING	4931396459	4002395778263
1215 92	1	SPRING RING	4931384919	4002395726714
1217 93	1	SEAL RING	4931624476	4002395753079
1219 94	2	SEAL RING	4931624493	4002395755318
1220 95	1	HOLDING-DOWN DEVICE	Item discontinued(4931244948)	
1222 96	1	SPRING RING	4931624260	4002395724604
1226 97	1	FELT	4931387563	4002395836109
1228 98	4	HOLDING-DOWN DEVICE	4931332524	4002395614899
1230 99	1	O-RING N874701 25X2	4931624381	4002395745289
1300 100	1	REPAIR KIT	4931432150	4002395900473