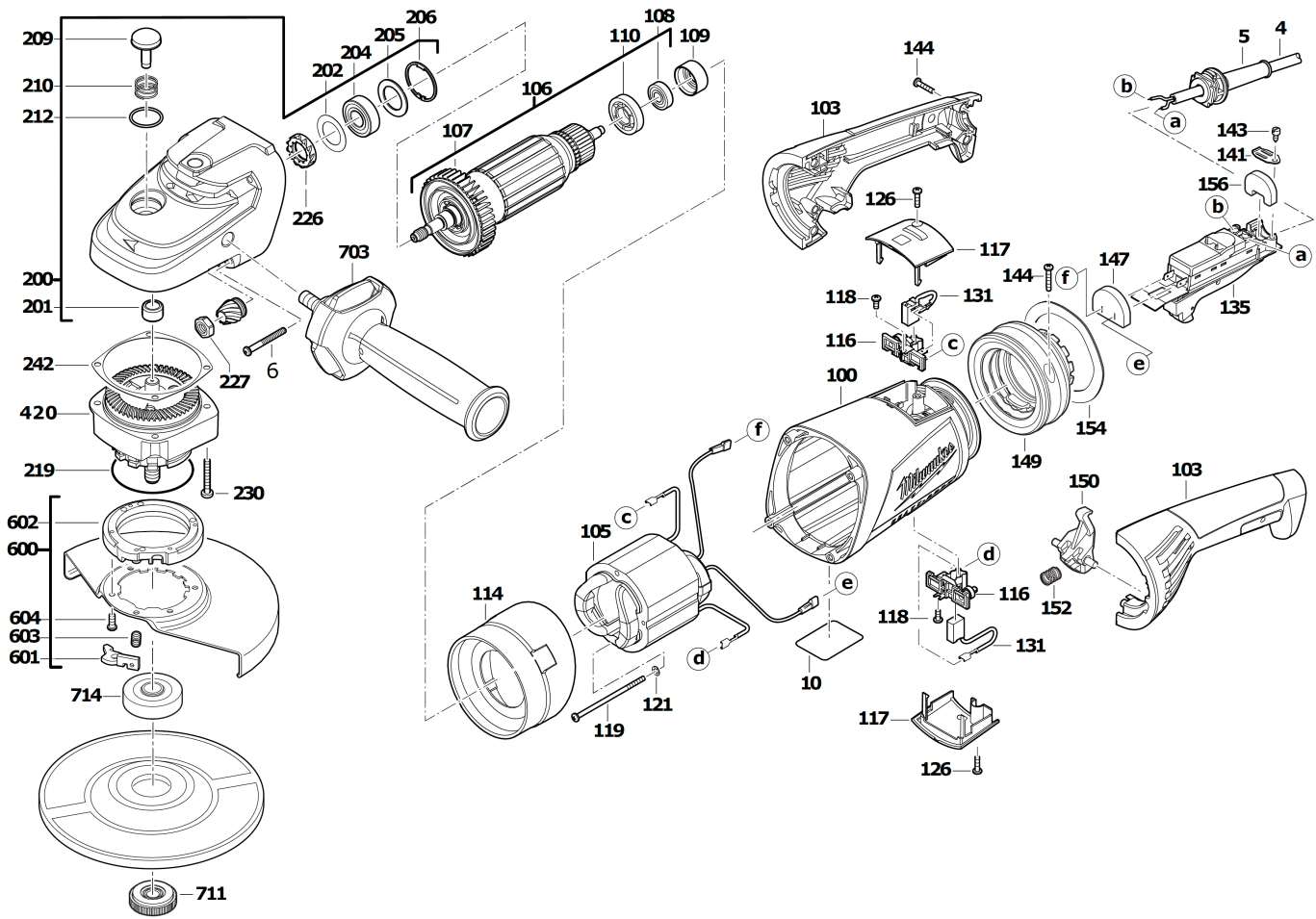


AGVM26-230GEX ANGLE GRINDER IN2

4933402365 - AGVM 26-230GEX - 4000476912





Position	Quantity	Description	Part number	EAN
0004 1	1	CONNECTION CABLE	4931455392	4002395174911
0005 2	1	PROTECTING COVER	4931387206	4002395746798
0006 3	4	SCREW N874101-1 SHR C-K5X45/20 KOMBITORX	4931622765	4002395699094
0010 4	1	RATING PLATE	4931476913	4058546402167
0100 5	1	MOTOR HOUSING	4931402268	4002395766086
0103 6	1	SWITCH HANDLE	4931402176	4002395764143
0105 7	1	ELECTRIC FIELD	4931476826	4058546393168
0106 8	1	ARMATURE	4931442695	4002395883752
0107 9	1	FAN	4931334394	4002395615940
0108 10	1	BALL BEARING	4931341741	4002395627004
0109 11	1	RUBBER SLEEVE	4931329086	4002395610396
0110 12	1	SEAL RING	4931402219	4002395766123
0114 13	1	AIR DEFLECTOR RING	4931402269	4002395766093
0116 14	2	BRUSH HOLDER	4931381694	4002395780303
0117 15	2	COVER	4931402169	4002395763252
0118 16	2	SCREW	4931624538	4002395760039
0119 17	2	SCREW	4931331734	4002395613755
0121 18	2	SPRING WASHER D 137 B 4	4931619992	4002395695232
0126 19	2	SCREW	4931624537	4002395760022
0131 20	1	CARBON BRUSH SET	4931395107	4002395780518
0135 21	1	SWITCH	4931476613	4058546391423
0141 22	1	CABLE COLLAR	4931329273	4002395610617
0143 23	1	SCREW	4931624537	4002395760022
0144 24	6	SCREW	4931618253	4002395694945
0147 25	1	PART NOT DEATAILED	1000063920	
0149 26	1	DAMPER	4931455265	4002395174256
0150 27	1	LATCH	4931476616	4058546393106
0152 28	1	PRESSURE SPRING	4931402039	4002395758630
0154 29	1	SPRING WASHER	4931402029	4002395758616
0156 30	1	DUST SEAL	4931402286	4002395764754
0200 31	1	GEAR BOX	4931402161	4002395765812
0201 32	1	SLEEVE	4931621981	4002395696512
0202 33	1	DISC N874237 22,5X35X0,3	4931621629	4002395695720
0204 34	1	BALL BEARING	4931624305	4002395738595
0205 35	1	DISC	4931622897	4002395699636
0206 36	1	LOCKING RING	4931334400	4002395615971
0209 37	1	LOCKING BOLT	4931402166	4002395763191
0210 38	1	PRESSURE SPRING	4931329173	4002395610518
0212 39	1	O-RING	4931622764	4002395699087
0219 40	1	SEAL RING	4931624672	4002395791187
0226 41	1	GREASE RETAIN.DISC	4931329178	4002395758258
0227 42	1	NUT	4931329494	4002395610693
0230 43	4	SCREW D 7500 M 3X12	4931624147	4002395711055
0242 44	1	GASKET	4931329150	4002395610488
0420 45	1	REPAIR KIT	4931455623	4002395177882
0600 46	1	GUARD CAP	4931426625	4002395856473
0601 47	1	CATCH LEVER	201256002	4002395801725
0602 48	1	FLANGE	4931402063	4002395758203
0603 49	1	PRESSURE SPRING	4931402089	4002395758234
0604 50	5	SCREW	4931624491	4002395758142

Position	Quantity	Description	Part number	EAN
0703 51	1	HANDLE	4931398251	4002395764891
0711 52	1	FIXTEC-NUT BULK	4931468392	4058546320768
0714 53	1	AUTOBALANCER	4931402435	4002395766475