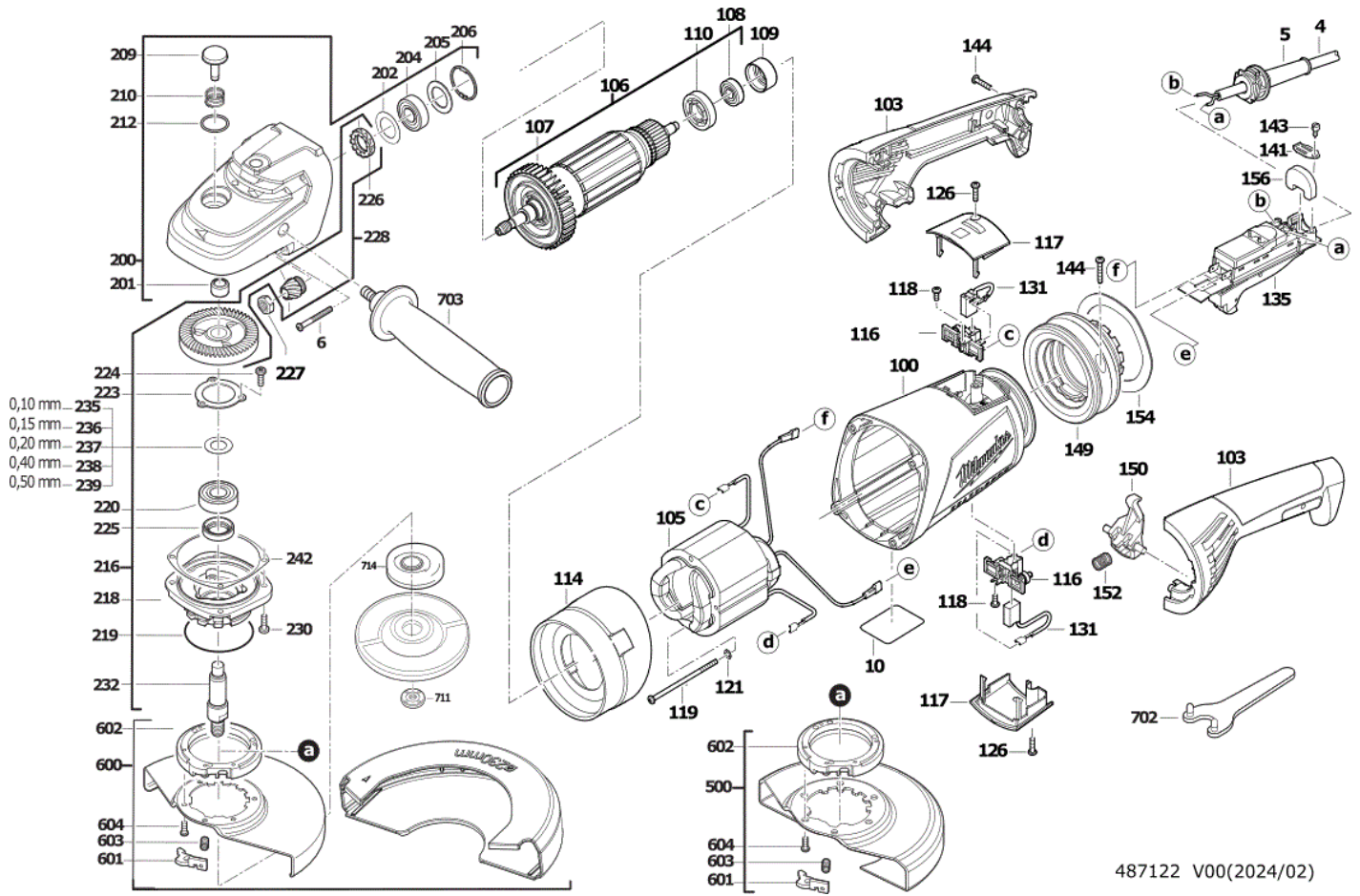


AGV26-230GE/DMS ANGLE GRINDER IN2

4933402490 - AGV26-230GE DMS - 4000487194





487122 V00(2024/02)

Position	Quantity	Description	Part number	EAN
0004 1	1	CONNECTION CABLE	4931455392	4002395174911
0005 2	1	PROTECTING COVER	4931387206	4002395746798
0006 3	4	SCREW N874101-1 SHR C-K5X45/20 KOMBITORX	4931622765	4002395699094
0010 4	1	RATING PLATE	4931487195	4058546466879
0100 5	1	MOTOR HOUSING	4931402268	4002395766086
0103 6	1	SWITCH HANDLE	4931402176	4002395764143
0105 7	1	ELECTRIC FIELD	4931476826	4058546393168
0106 8	1	ARMATURE	4931442695	4002395883752
0107 9	1	FAN	4931334394	4002395615940
0108 10	1	BALL BEARING	4931341741	4002395627004
0109 11	1	RUBBER SLEEVE	4931329086	4002395610396
0110 12	1	SEAL RING	4931402219	4002395766123
0114 13	1	AIR DEFLECTOR RING	4931402269	4002395766093
0116 14	2	BRUSH HOLDER	4931381694	4002395780303
0117 15	2	COVER	4931402169	4002395763252
0118 16	2	SCREW	4931624538	4002395760039
0119 17	2	SCREW	4931331734	4002395613755
0121 18	2	SPRING WASHER D 137 B 4	4931619992	4002395695232
0126 19	2	SCREW	4931624537	4002395760022
0131 20	1	CARBON BRUSH SET	4931369479	4002395673490
0135 21	1	SWITCH	4931476614	4058546391430
0141 22	1	CABLE COLLAR	4931329273	4002395610617
0143 23	1	SCREW	4931624537	4002395760022
0144 24	6	SCREW	4931618253	4002395694945
0149 25	1	DAMPER	4931455265	4002395174256
0150 26	1	LATCH	4931476616	4058546393106
0152 27	1	PRESSURE SPRING	4931402039	4002395758630
0154 28	1	SPRING WASHER	4931402029	4002395758616
0156 29	1	DUST SEAL	4931402286	4002395764754
0200 30	1	GEAR BOX	4931402161	4002395765812
0201 31	1	SLEEVE	4931621981	4002395696512
0202 32	1	DISC N874237 22,5X35X0,3	4931621629	4002395695720
0204 33	1	BALL BEARING	4931624305	4002395738595
0205 34	1	DISC	4931622897	4002395699636
0206 35	1	LOCKING RING	4931334400	4002395615971
0209 36	1	LOCKING BOLT	4931402166	4002395763191
0210 37	1	PRESSURE SPRING	4931329173	4002395610518
0212 38	1	O-RING	4931622764	4002395699087
0216 39	1	DRIVE GEAR	4931487082	4058546466664
0218 40	1	GEAR ENDPLATE	4931407540	4002395792030
0219 41	1	SEAL RING	4931624672	4002395791187
0220 42	1	BEARING	9170316990	4002395571147
0223 43	1	BEARING COVER	4931402150	4002395758265
0224 44	3	SCREW D 7500 M 3X12	4931624147	4002395711055
0225 45	1	RUBBER SLEEVE	4931279734	4002395590599
0226 46	1	GREASE RETAIN.DISC	4931329178	4002395758258
0227 47	1	NUT	4931329494	4002395610693
0228 48	1	BEVEL GEAR PAIR	4931409592	4002395826513
0230 49	4	SCREW D 7500 M 3X12	4931624147	4002395711055
0232 50	1	SPINDLE	4931476338	4058546690854

Position	Quantity	Description	Part number	EAN
0235 51	1	WASHER N874237	4931623312	4002395701308
0236 52	1	DISC	4931624701	4002395814169
0237 53	1	COMPENSATING WASHER	4931622747	4002395699001
0238 54	1	WASHER	4931624591	4002395877812
0239 55	1	DISC N874237 18X27,9X0,5	4931941094	4002395706952
0242 56	1	GASKET	4931329150	4002395610488
0500 57	1	CUTTING GUARD	Item discontinued(4931428099)	
0600 58	1	GUARD CAP	4931487073	4058546466619
0601 59	1	CATCH LEVER	201256002	4002395801725
0602 60	1	FLANGE	4931402063	4002395758203
0603 61	1	PRESSURE SPRING	4931402089	4002395758234
0604 62	5	SCREW	4931624491	4002395758142
0702 63	1	PIN SPANNER 115-230/WP/WSAP1 A/M	4932367712	4002395338467
0703 64	1	HANDLE	4931398251	4002395764891
0711 65	1	FLANGE NUT M14 3MM P1 A/M	4932345628	4002395313105
0714 66	1	AUTOBALANCER	4931402435	4002395766475