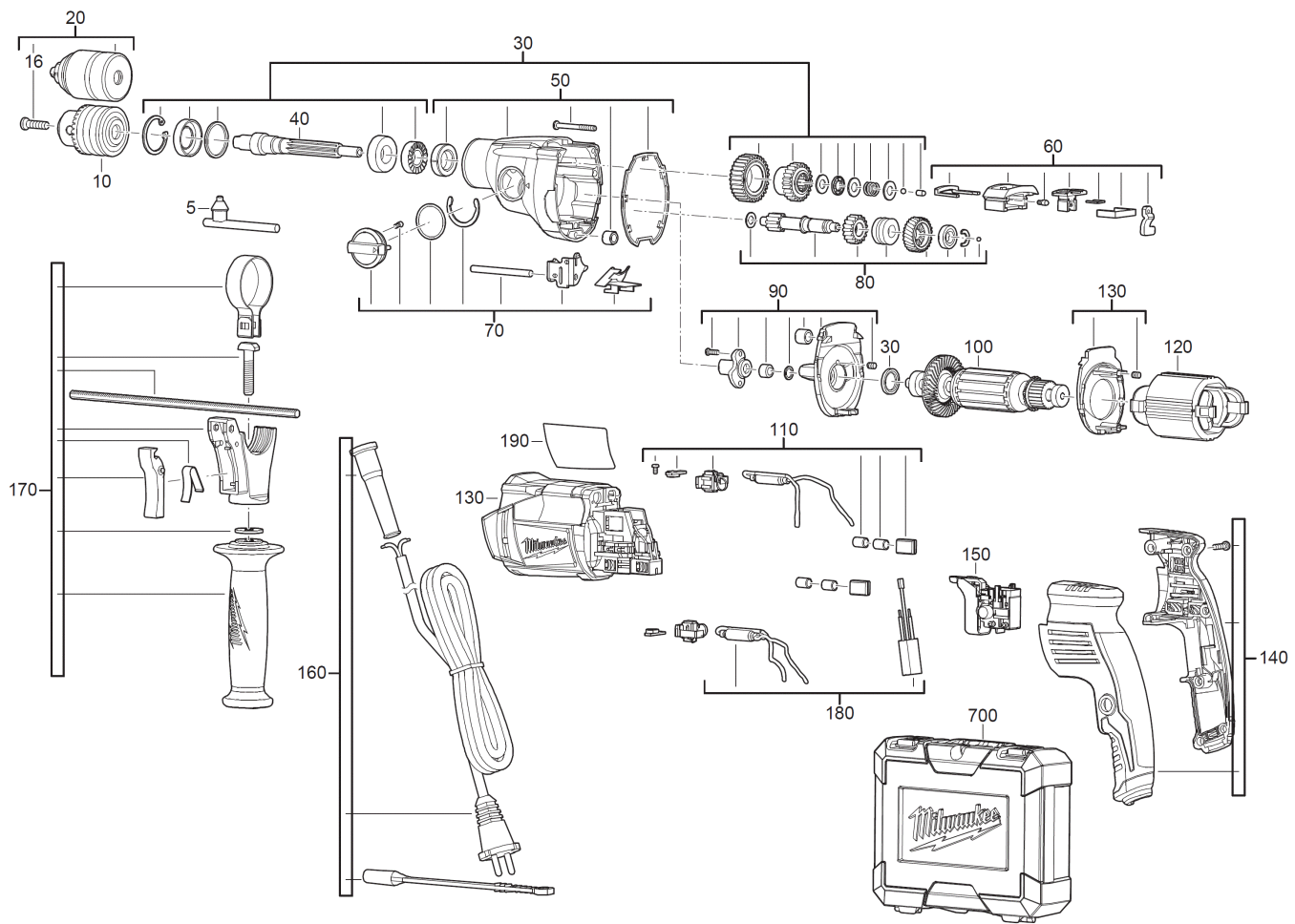


PD2E22R PERCUSSION DRILL IN2

4933419570 - PD2E22R - 4000419571





Position	Quantity	Description	Part number	EAN
0005 1	1	KEY	690176004	4002395841981
0010 2	1	THEETH CHUCK	4931473013	4058546333157
0016 3	1	SCREW	5131001845	4058546083502
0020 4	1	CHUCK	200170003	4002395799084
0030 5	1	GEAR KIT	4931435285	4002395899838
0040 6	1	SHAFT	200170026	4002395799220
0050 7	1	GEAR BOX	4931435286	4002395899845
0060 8	1	LEVER	4931435287	4002395900619
0070 9	1	LEVER	4931435288	4002395900626
0080 10	1	GEAR KIT	200170008	4002395799138
0090 11	1	GEAR ENDPLATE	200170009	4002395799145
0100 12	1	ARMATURE	4931435289	4002395899852
0110 13	1	CARBON BRUSH SET	4931435291	4002395899876
0120 14	1	ELECTRIC FIELD	4931435293	4002395899890
0130 15	1	MOTOR HOUSING	4931435295	4002395900510
0140 16	1	HANDLE SET	4931435296	4002395900527
0150 17	1	SWITCH	4931435297	4002395900534
0160 18	1	CONNECTION CABLE	Item discontinued(4931435299)	
0170 19	1	HANDLE SET	4931435302	4002395900589
0180 20	1	CAPACITOR	4931435303	4002395900596
0190 21	1	RATING PLATE	4931435304	4002395901203
0700 22	1	CARRYING CASE	4931435307	4002395901234