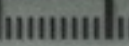


**2216-40 AMMLC ALK M.METER LGT COMMER
XXX**

4933427309 - 2216-40 - 4000427310



0 

1.197 V

AUTO AC

HOLD

MIN
MAX

RANGE



OFF \tilde{V}

\bar{V}

Hz

Ω



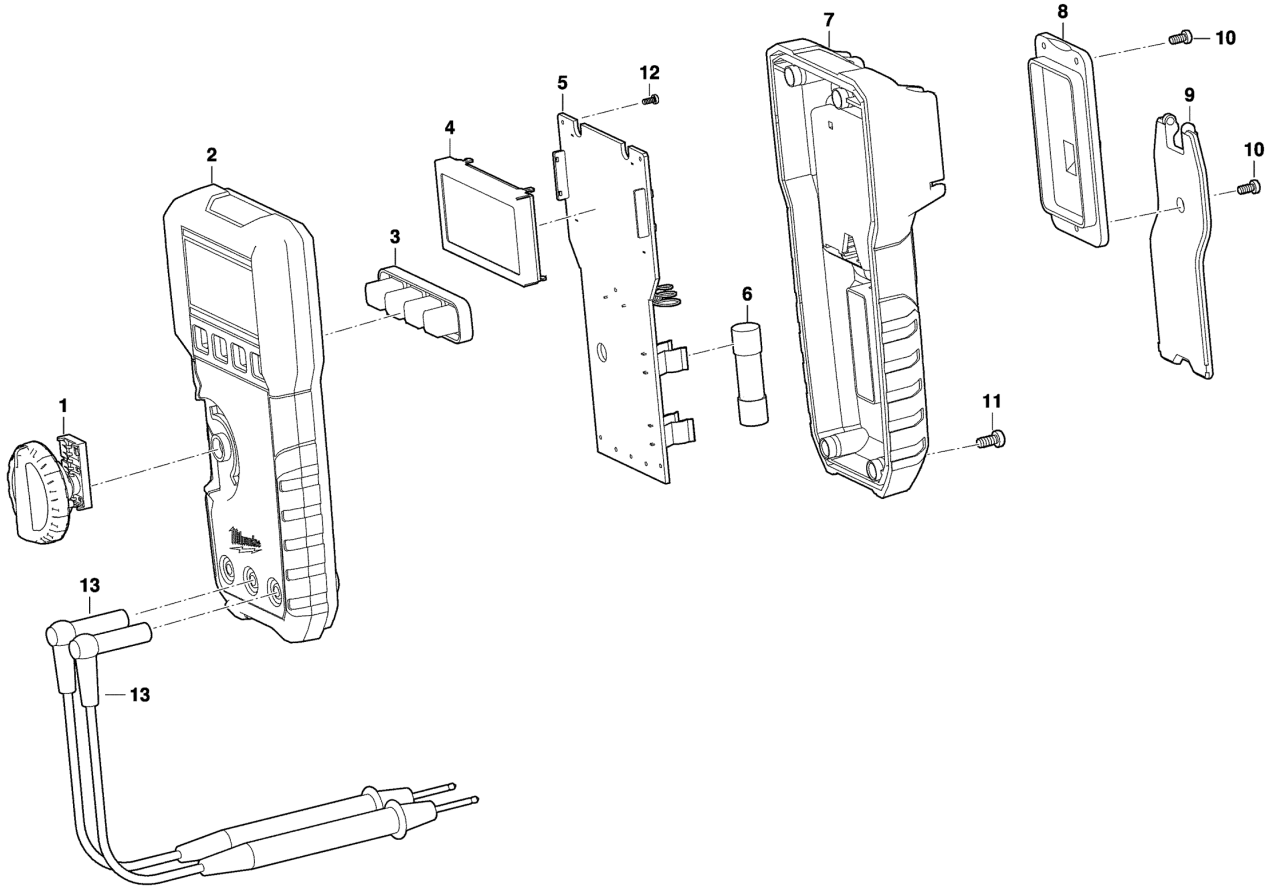


\tilde{A}

\bar{A}

Milwaukee





Position	Quantity	Description	Part number	EAN
0001 1	1	ROTARY SWITCH	Item discontinued(4931428311)	
0002 2	1	HOUSING COVER	Item discontinued(4931428895)	
0003 3	1	RUBBER CAP	Item discontinued(4931428896)	
0004 4	1	Display	Item discontinued(4931428897)	
0005 5	1	PRINTED CIRC. BOARD	Item discontinued(4931428898)	
0006 6	1	FUSE	4931428316	4058546075286
0007 7	1	HOUSING BOTTOM	Item discontinued(4931428899)	
0008 8	1	BATTERY DOOR	Item discontinued(4931428318)	
0009 9	1	SUPPORT	Item discontinued(4931428969)	
0010 10	3	SCREW	Item discontinued(4931428320)	
0011 11	4	SCREW	Item discontinued(4931428322)	
0012 12	5	SCREW	Item discontinued(4931428298)	
0013 13	1	TEST TOOL	4931466872	4058546280895