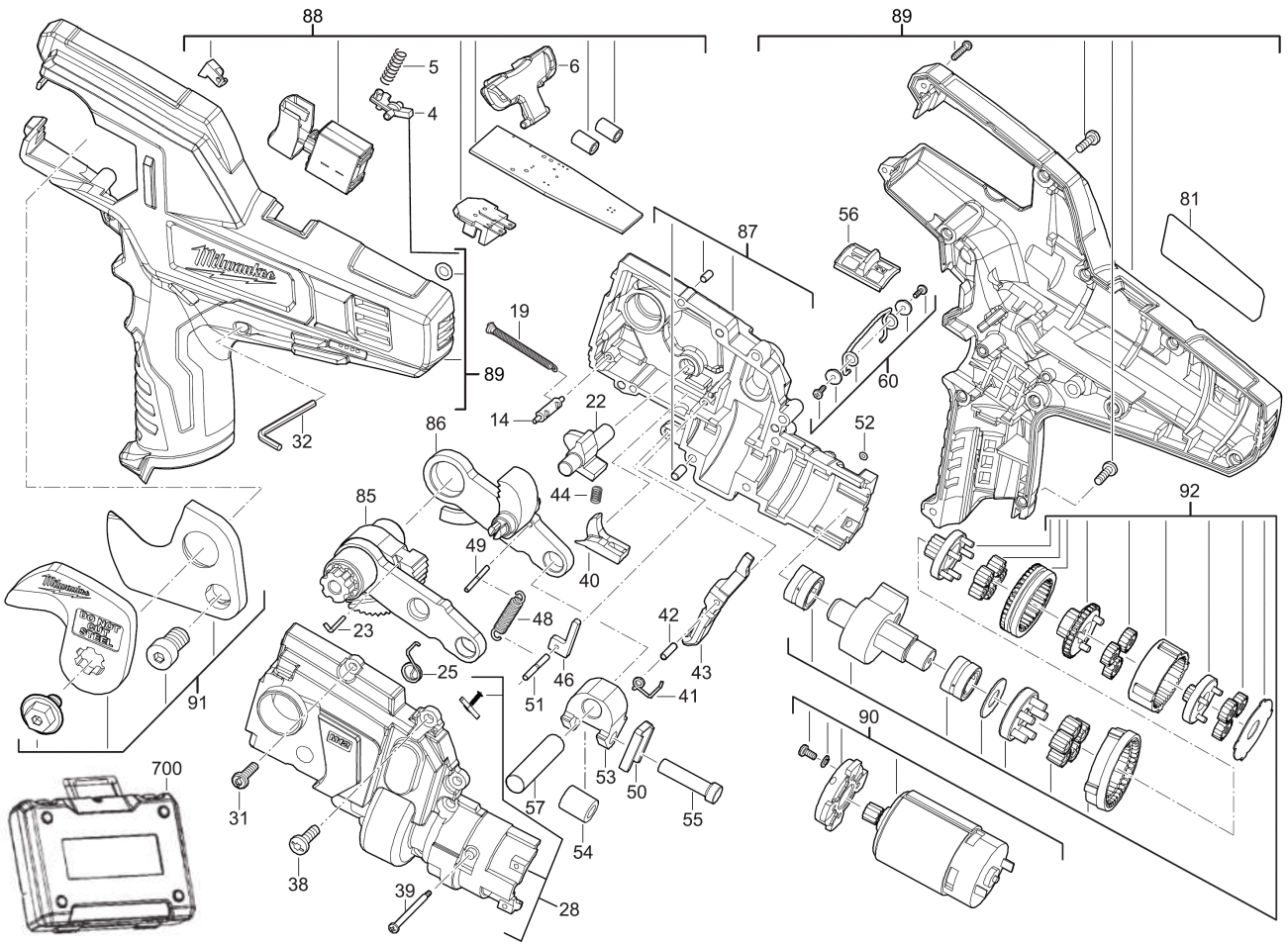


# M12CC-0 CABLE CUTTER XXX

4933431600 - M12CC-0 - 4000448942





Position	Quantity	Description	Part number	EAN
0004 1	1	PUSH-BUTTON	Item discontinued(4931452520)	
0005 2	1	SPRING	4931435565	4002395863112
0006 3	1	BUTTON	Item discontinued(4931435563)	
0014 4	1	HOLDER	Item discontinued(4931435562)	
0019 5	1	RATCHET	4931452521	4002395172207
0022 6	1	RATCHET	4931452522	4002395171590
0023 7	1	CYLINDER PIN	4931435559	4002395862450
0025 8	1	SPRING	4931435558	4002395862443
0028 9	1	GEAR BOX COVER	Item discontinued(4931452523)	
0031 10	2	SCREW	661113008	4002395830077
0032 11	1	HEXAGON SOCKET	4931435527	4002395892433
0038 12	5	SCREW	4931435228	4002395860128
0039 13	2	SCREW	4931435529	4002395892457
0040 14	1	JOINING PART	4931435530	4002395892464
0041 15	1	SPRING	4931435531	4002395892471
0042 16	1	SPRING	Item discontinued(4931435532)	
0043 17	1	LOCK RELEASE KIT	4931435533	4002395892495
0044 18	1	SPRING	4931452524	4002395171576
0046 19	1	CYLINDER PIN	4931435535	4002395861019
0048 20	1	SPRING	4931435536	4002395861026
0049 21	1	HOLDING PIN	Item discontinued(4931435537)	
0050 22	1	STAMP	4931435538	4002395861040
0051 23	1	SPRING	Item discontinued(4931435539)	
0052 24	2	NUT	Item discontinued(4931435540)	
0053 25	1	HOLDER	4931435541	4002395861071
0054 26	1	HOLDER	4931435542	4002395861088
0055 27	1	CYLINDER PIN	4931435543	4002395861095
0056 28	1	PUSH BUTTON	4931435544	4002395861705
0057 29	1	CYLINDER PIN	4931435545	4002395861712
0060 30	1	SPEED CONTROL	4931441893	4002395868032
0081 31	1	RATING PLATE	4931448944	4002395172221
0085 32	1	DRIVING SHAFT	4931452525	4002395171569
0086 33	1	LEVER	Item discontinued(4931452526)	
0087 34	1	GEAR BOX	Item discontinued(4931452527)	
0088 35	1	SWITCH	4931435553	4002395861798
0089 36	1	HANDLE COMPL.	Item discontinued(4931452528)	
0090 37	1	MOTOR ASSEMBLY	4931435555	4002395862412
0091 38	1	SPARE BLADE Cable Cutter BI Stat	4932430070	4002395377312
0092 39	1	GEAR BOX KIT	4931435556	4002395862429
0700 40	1	CARRYING CASE	Item discontinued(4931435557)	