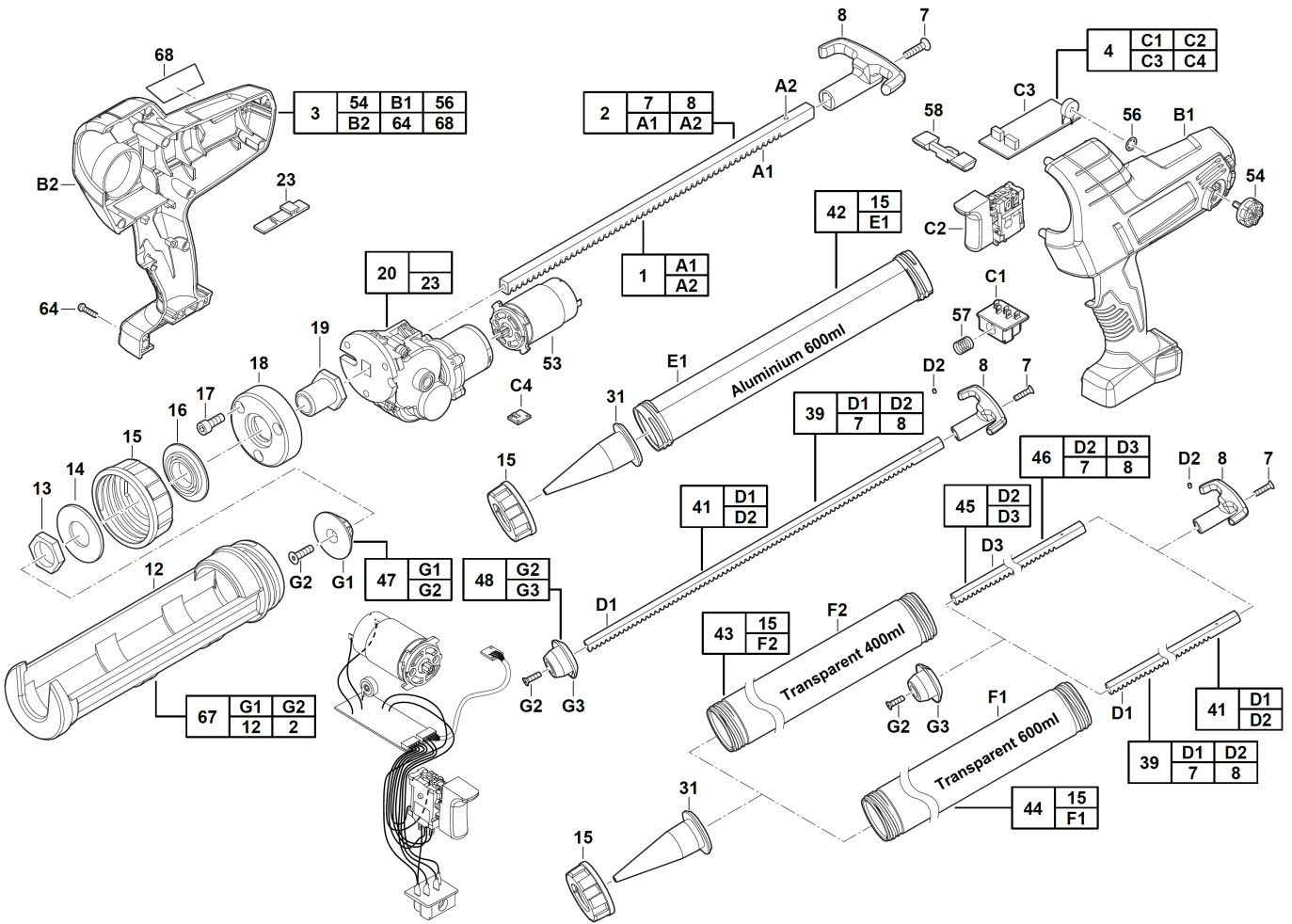


# C18PCG 600A-201B CAULK A.ADHESI.GUN IN2

4933441305 - C18PCG600A201B - 4000431581





| Position | Quantity | Description                           | Part number                  | EAN           |
|----------|----------|---------------------------------------|------------------------------|---------------|
| 0001 1   | 1        | ROD                                   | 4932352937                   | 4002395375950 |
| 0003 2   | 1        | HANDLE COMPL.                         | 201870002                    | 4002395858729 |
| 0004 3   | 1        | SWITCH ASSEMBLY                       | 201855001                    | 4002395855209 |
| 0007 4   | 1        | SCREW                                 | 661462001                    | 4002395857555 |
| 0008 5   | 1        | HANDLE                                | 522615001                    | 4002395857494 |
| 0012 6   | 1        | CARTRIDGE HOLDER                      | 201927001                    | 4002395860319 |
| 0013 7   | 1        | HEXAGON NUT                           | 661434001                    | 4002395857548 |
| 0014 8   | 1        | WASHER                                | 633626001                    | 4002395857524 |
| 0015 9   | 1        | CARTRIDGE HOLDER                      | 522614001                    | 4002395857487 |
| 0016 10  | 1        | SPACER                                | 522613001                    | 4002395857470 |
| 0017 11  | 3        | SCREW                                 | 661474001                    | 4002395857562 |
| 0018 12  | 1        | FRONT PLATE                           | 522689001                    | 4002395857517 |
| 0019 13  | 1        | NUT                                   | 692801001                    | 4002395857579 |
| 0020 14  | 1        | GEAR BOX ASSY                         | 201856001                    | 4002395855216 |
| 0023 15  | 1        | PLATE                                 | 522748001                    | 4002395859054 |
| 0031 16  | 1        | NOZZLE CG Nozzle P1M                  | 522618001                    | 4002395857500 |
| 0039 17  | 1        | PLUNGER RODS CGun pl rod 600 P1M      | 48091091                     | 45242263165   |
| 0041 18  | 1        | ROD                                   | 201887001                    | 4002395859887 |
| 0045 19  | 1        | PLUNGER RODS                          | 201958001                    | 4002395860326 |
| 0046 20  | 1        | ROD                                   | 48091090                     | 45242263158   |
| 0053 21  | 1        | MOTOR ASSEMBLY                        | 201854001                    | 4002395854592 |
| 0054 22  | 1        | SPEED CONTROL                         | 350575001                    | 4002395860333 |
| 0056 23  | 1        | PROTECTION WASHER                     | 633690001                    | 4002395857531 |
| 0057 24  | 1        | SPRING                                | 4931408243                   | 4002395814466 |
| 0058 25  | 1        | LOCKING PART                          | 522574001                    | 4002395857463 |
| 0064 26  | 1        | SCREW                                 | 660031017                    | 4002395825189 |
| 0067 27  | 1        | CARTRIDGE HOLDER CGun 310ml carrg P1M | 48081076                     | 45242263127   |
| 0068 28  | 1        | NAME PLATE                            | Item discontinued(940038285) |               |
| 0001 29  | 1        | M18B2 LI-ION BATTERY PACK 2.0AH XXX   | 4932430062                   | 4002395377237 |
| 0002 30  | 1        | PLUNGER RODS CGUN PL ROD 310 P1M      | 4932352937                   | 4002395375950 |
| 0042 31  | 1        | SET CGUN 600ML ALUM P1M               | 4932352845                   | 4002395375035 |
| 0043 32  | 1        | SET CGUN 400ML TRANS P1M              | 4932352842                   | 4002395375004 |
| 0044 33  | 1        | SET CGUN 600ML TRANS P1M              | 4932352843                   | 4002395375011 |
| 0047 34  | 1        | PISTON                                | 44700330                     | 45242260928   |
| 0048 35  | 1        | PISTON                                | 44700375                     | 45242277438   |