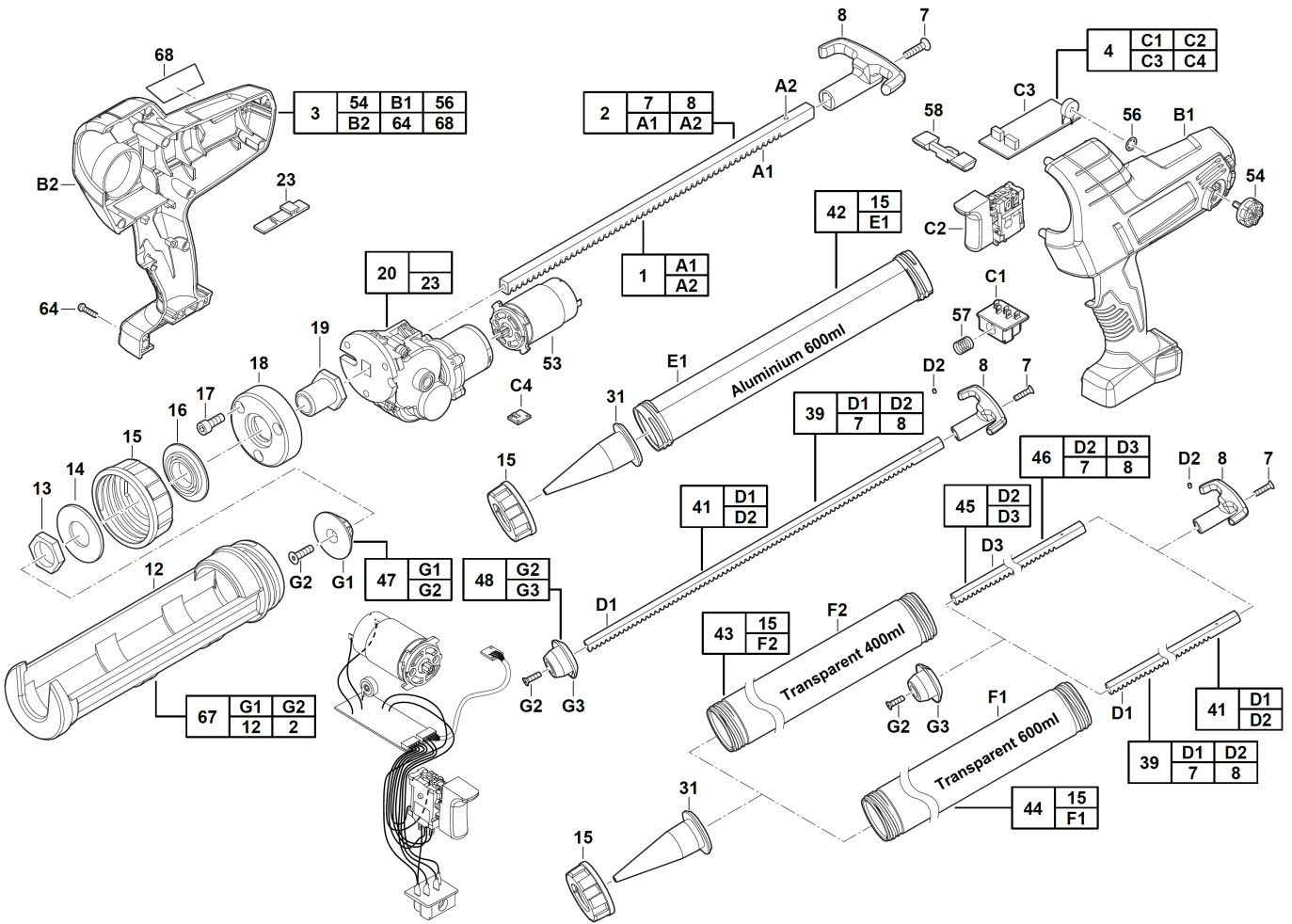


C18PCG/310C-201BCAULK A.ADHESI.GUN IN2

4933441310 - C18PCG310201B - 4000431581





Position	Quantity	Description	Part number	EAN
0001 1	1	ROD	4932352937	4002395375950
0003 2	1	HANDLE COMPL.	201870002	4002395858729
0004 3	1	SWITCH ASSEMBLY	201855001	4002395855209
0007 4	1	SCREW	661462001	4002395857555
0008 5	1	HANDLE	522615001	4002395857494
0012 6	1	CARTRIDGE HOLDER	201927001	4002395860319
0013 7	1	HEXAGON NUT	661434001	4002395857548
0014 8	1	WASHER	633626001	4002395857524
0015 9	1	CARTRIDGE HOLDER	522614001	4002395857487
0016 10	1	SPACER	522613001	4002395857470
0017 11	3	SCREW	661474001	4002395857562
0018 12	1	FRONT PLATE	522689001	4002395857517
0019 13	1	NUT	692801001	4002395857579
0020 14	1	GEAR BOX ASSY	201856001	4002395855216
0023 15	1	PLATE	522748001	4002395859054
0031 16	1	NOZZLE CG Nozzle P1M	522618001	4002395857500
0039 17	1	PLUNGER RODS CGun pl rod 600 P1M	48091091	45242263165
0041 18	1	ROD	201887001	4002395859887
0045 19	1	PLUNGER RODS	201958001	4002395860326
0046 20	1	ROD	48091090	45242263158
0053 21	1	MOTOR ASSEMBLY	201854001	4002395854592
0054 22	1	SPEED CONTROL	350575001	4002395860333
0056 23	1	PROTECTION WASHER	633690001	4002395857531
0057 24	1	SPRING	4931408243	4002395814466
0058 25	1	LOCKING PART	522574001	4002395857463
0064 26	1	SCREW	660031017	4002395825189
0067 27	1	CARTRIDGE HOLDER CGun 310ml carrg P1M	48081076	45242263127
0068 28	1	NAME PLATE	Item discontinued(940038285)	
0002 29	1	PLUNGER RODS CGUN PL ROD 310 P1M	4932352937	4002395375950
0042 30	1	SET CGUN 600ML ALUM P1M	4932352845	4002395375035
0043 31	1	SET CGUN 400ML TRANS P1M	4932352842	4002395375004
0044 32	1	SET CGUN 600ML TRANS P1M	4932352843	4002395375011
0047 33	1	PISTON	44700330	45242260928
0048 34	1	PISTON	44700375	45242277438