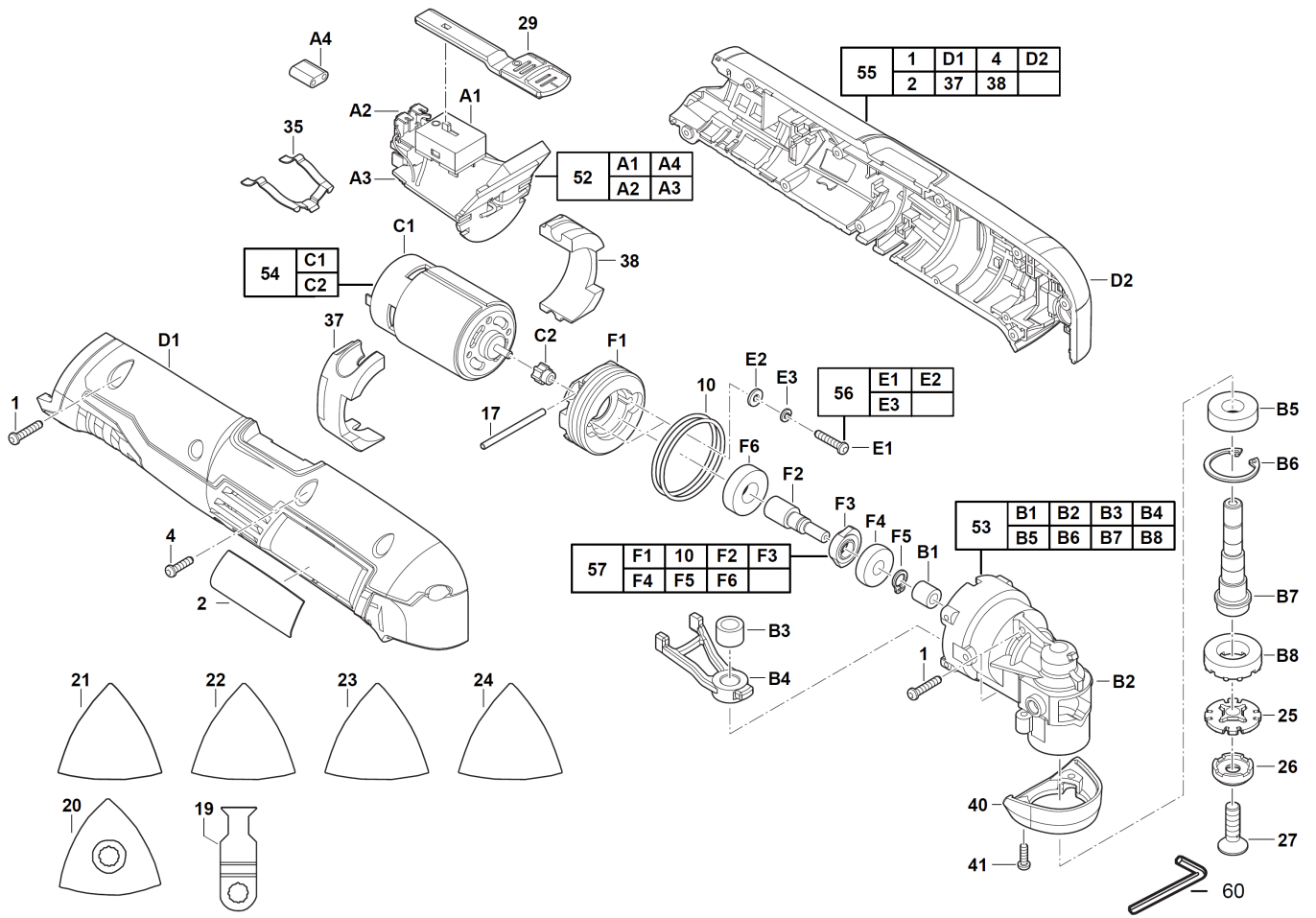


# C12MT-202B 230V MULTI HEADS TOOL IN2

4933441710 - C12MT-202B IN2 - 4000431233





Position	Quantity	Description	Part number	EAN
0001 1	1	SCREW	660570005	4002395827329
0002 2	1	RATING PLATE	4931431679	4002395901609
0004 3	1	SCREW	661081001	4002395830787
0010 4	1	O-RING	562584001	4002395849369
0017 5	1	BOLT	672254001	4002395849901
0019 6	1	SAW BLADE	4931473395	4058546352714
0020 7	1	GRINDING DISK	303590005	4002395853441
0021 8	1	SAND PAPER	Item discontinued(902512002)	
0022 9	1	SAND PAPER	Item discontinued(902512002)	
0023 10	1	SAND PAPER	902512001	4002395853427
0024 11	1	SAND PAPER	902512004	4002395853397
0025 12	1	NOSEPIECE	611273001	4002395848782
0026 13	1	COVER	611298001	4002395859641
0027 14	1	SCREW	661297001	4002395849871
0029 15	1	SLIDER	Item discontinued(350157001)	
0035 16	1	SPRING ELEMENT	4931506540	4058546558543
0037 17	1	RUBBER DISC	562687001	4002395847464
0038 18	1	RUBBER PLATE	562687002	4002395849383
0040 19	1	COVER	522537001	4002395848775
0041 20	1	SCREW	660380006	4002395849857
0052 21	1	SWITCH ASSEMBLY	4931431688	4002395899739
0053 22	1	GEAR BOX	200281033	4002395849246
0054 23	1	MOTOR ASSEMBLY	200198006	4002395849239
0055 24	1	HOUSING	4931431689	4002395899746
0056 25	1	BOLT SET	Item discontinued(201735001)	
0057 26	1	BOLT SET	201736001	4002395848737
0060 27	1	HEX WRENCH D 911 5 GAL	4931616056	4002395694501