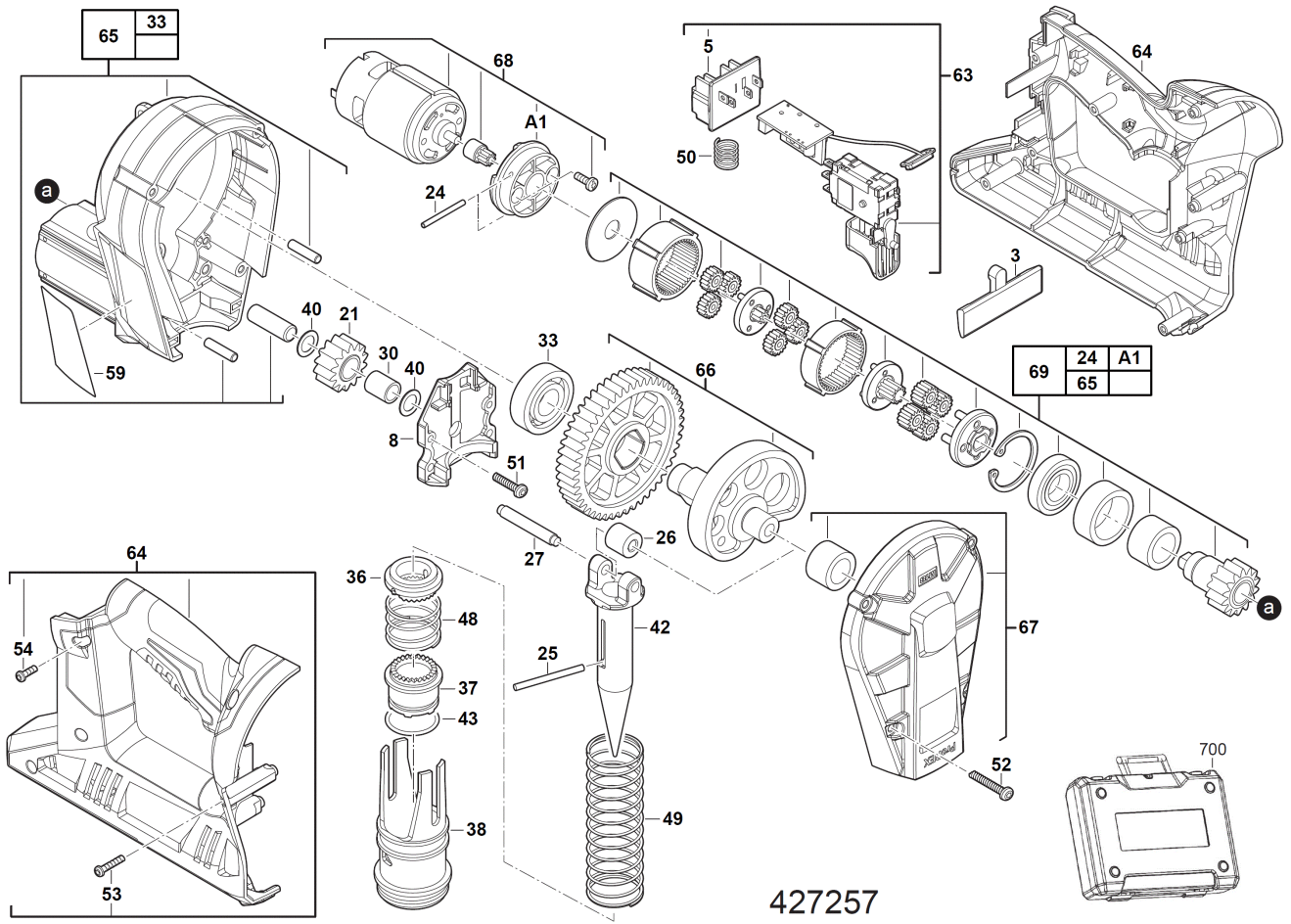


HD18PXP-H06202C 230V EXPANDER IN2

4933441771 - HD18PXP-H06202C IN2 - 4000427255





427257

Position	Quantity	Description	Part number	EAN
0003 1	1	LOCK BOTTON	521623001	4002395856817
0005 2	1	TERMINAL STRIP	302119005	4002395856152
0008 3	1	DIAPHRAGM	641678001	4002395856831
0021 4	1	INTERMEDIATE WHEEL	Item discontinued(611241001)	
0024 5	1	PIN	Item discontinued(672281001)	
0025 6	1	BOLT	672320001	4002395846634
0026 7	1	ROLL	692341002	4002395846689
0027 8	1	BOLT	4931441173	4002395867226
0030 9	1	NEEDLE BEARING	Item discontinued(681471001)	
0033 10	1	BALL BEARING	Item discontinued(671013003)	
0036 11	1	FRICTION DISC	611044001	4002395846993
0037 12	1	COLLAR	611260001	4002395857067
0038 13	1	FRAME	692561001	4002395854769
0040 14	1	WASHER	633487001	4002395856848
0042 15	1	SPINDLE	692560001	4002395854752
0043 16	1	O-RING	562464001	4002395846986
0048 17	1	SPRING	692471001	4002395847013
0049 18	1	SPRING	692472002	4002395854745
0050 19	1	SPRING	4931408243	4002395814466
0051 20	1	SCREW	661004001	4002395820429
0052 21	1	LOCKING SCREW	661004002	4002395854097
0053 22	1	SCREW	660031016	4002395825172
0054 23	1	SCREW	660031017	4002395825189
0059 24	1	NAME PLATE	940038262	4002395854776
0063 25	1	SWITCH ASSEMBLY	201320006	4002395854080
0064 26	1	HANDLE COMPL.	200447010	4002395854042
0065 27	1	GEAR BOX	200001015	4002395854011
0066 28	1	GEARWHEEL SET	201079004	4002395854073
0067 29	1	COVER ASSY	200990012	4002395854066
0068 30	1	MOTOR ASSEMBLY	200663005	4002395854059
0069 31	1	GEAR BOX	200281044	4002395854035
0700 32	1	CARRYING CASE	Item discontinued(200230021)	