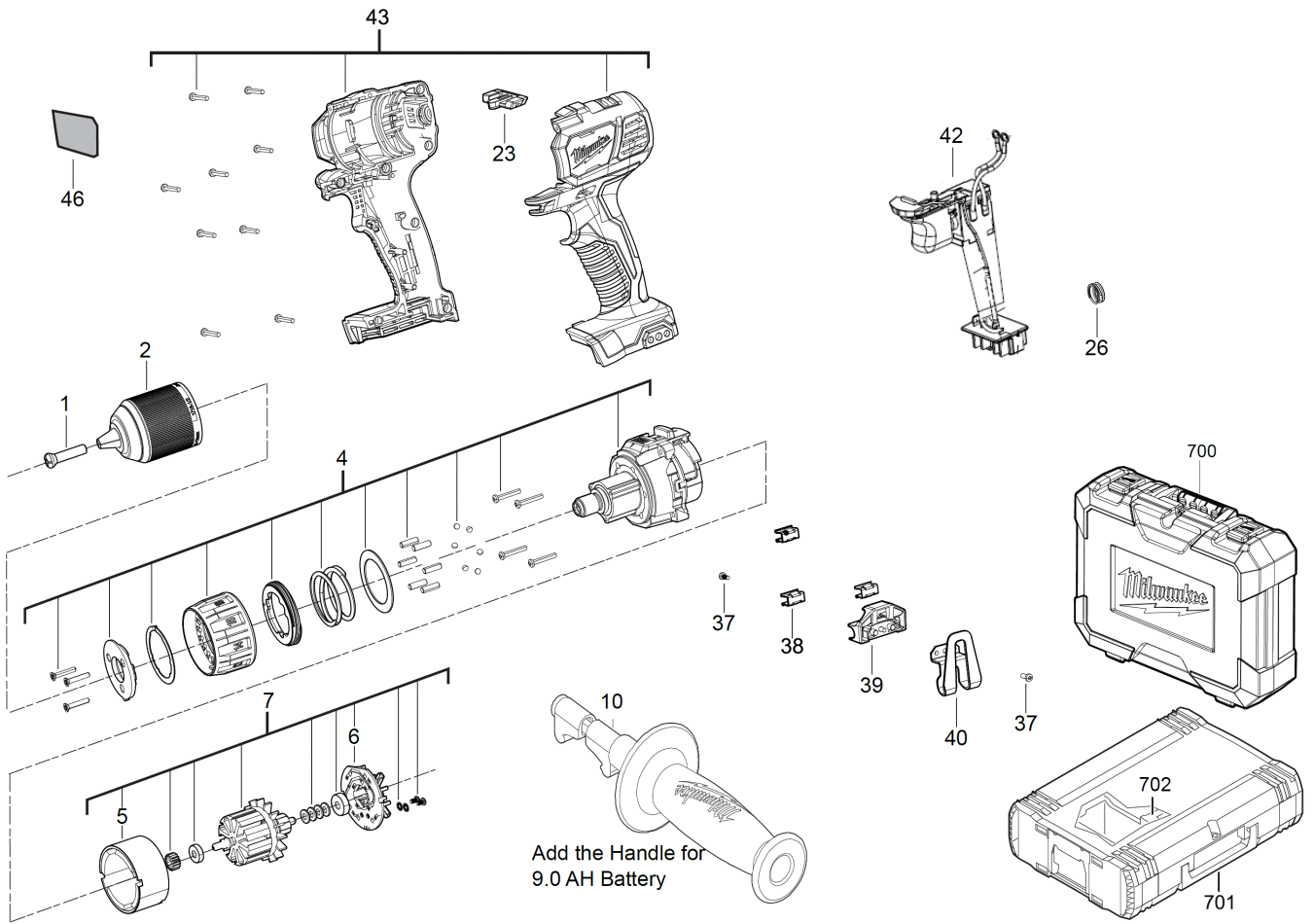


M18BDD-402C 230V BTY. DRILL/SCREWDR. IN2

4933443565 - M18BDD-402C - 4000481210





Position	Quantity	Description	Part number	EAN
0001 1	1	SCREW	4931433297	4002395896684
0002 2	1	CHUCK	4931472723	4058546330255
0004 3	1	GEAR BOX KIT	4931436130	4002395878789
0005 4	1	ELECTRIC FIELD	4931431940	4002395898817
0006 5	1	CARBON BRUSH	4931436131	4002395878796
0007 6	1	MOTOR	4931436132	4002395879403
0010 7	1	AUXILIARY HANDLE	4931454527	4058546009557
0023 8	1	LEVER	4931436133	4002395879410
0026 9	1	PRESSURE SPRING	4931408243	4002395814466
0037 10	1	SCREW	660820001	4002395828920
0038 11	1	BIT HOLDER	630206001	4002395819164
0039 12	1	BIT HOLDER	516723001	4002395828975
0040 13	1	HOOK	4931436134	4002395879427
0042 14	1	PRINT.CURIUT SWITCH	4931479931	4058546396947
0043 15	1	HANDLE COMPL.	4931479932	4058546396954
0046 16	1	RATING PLATE	4931479933	4058546396961
0700 17	1	CARRYING CASE	4931436138	4002395879465
0702 18	1	INSERT	4931440936	4002395863129