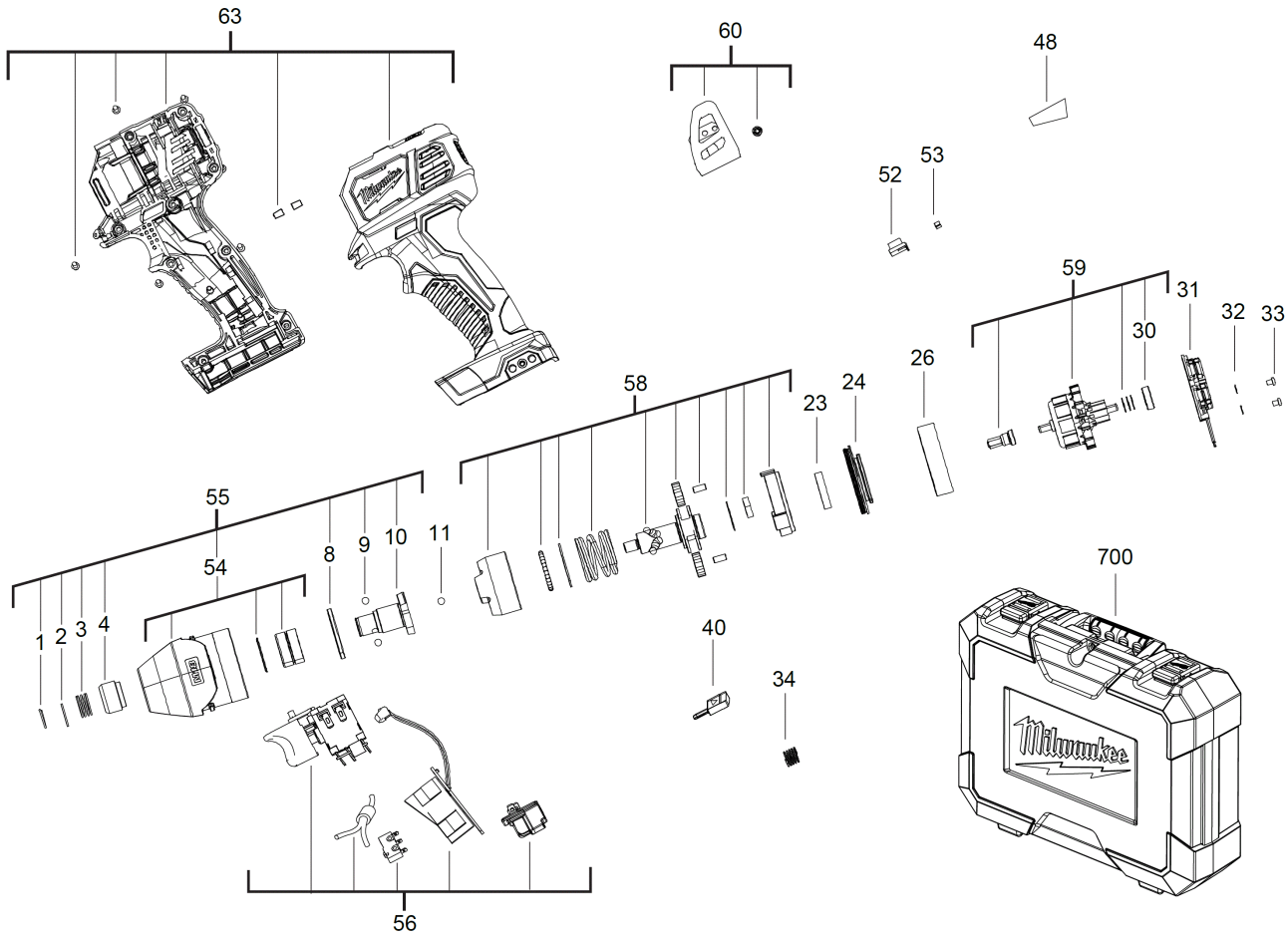


M18BID-0 BTY.IMPACT DRIVER XXX

4933443570 - M18BID-0 - 4000460932





Position	Quantity	Description	Part number	EAN
0001 1	1	HOLDING RING	4931436098	4002395879908
0002 2	1	WASHER	4931472076	4058546282936
0003 3	1	SPRING	4931436084	4002395878567
0004 4	1	SLEEVE	4931436083	4002395878550
0008 5	1	WASHER	4931435372	4002395892082
0009 6	2	BALL	670220001	4002395761920
0010 7	1	IMPACT BOLT	4931452047	4002395180127
0011 8	1	BALL	4931453238	4002395153916
0023 9	1	BALL BEARING	4931436097	4002395879298
0024 10	1	HOUSING	4931436096	4002395879281
0026 11	1	ELECTRIC FIELD	4931454081	4002395287567
0030 12	1	BALL BEARING	681286001	4002395824014
0031 13	1	CARBON BRUSH SET	4931436094	4002395879267
0032 14	2	SPRING WASHER	670028003	4002395846627
0033 15	2	SCREW	4931435990	4002395876402
0034 16	1	PRESSURE SPRING	4931408243	4002395814466
0040 17	1	LEVER	4931436068	4002395878406
0048 18	1	RATING PLATE	4931461726	4058546039592
0052 19	1	SWITCH LEVER	Item discontinued(4931436092)	
0053 20	1	SPRING PLATE	4931452341	4002395172528
0054 21	1	GEAR HEAD	4931436085	4002395878574
0055 22	1	GEAR HEAD	4931436091	4002395879243
0056 23	1	SWITCH KIT	4931436090	4002395879236
0058 24	1	GEAR KIT	4931436089	4002395879229
0059 25	1	MOTOR ASSEMBLY	4931436088	4002395879212
0060 26	1	HOLDER	4931436076	4002395878482
0063 27	1	HOUSING	4931453825	4002395142040
0700 28	1	CARRYING CASE	4931436086	4002395878581