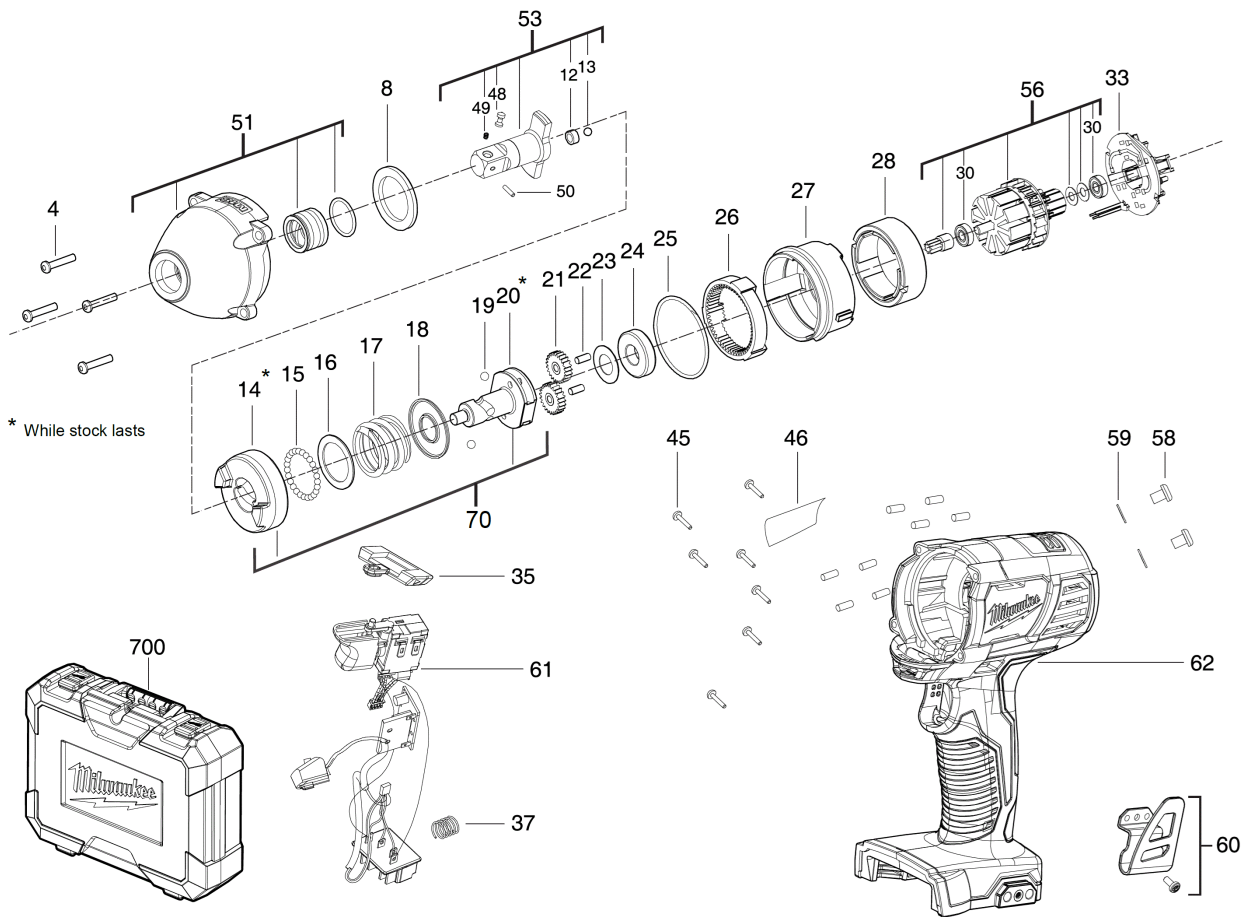


M18BIW12-402C BTY.IMPACT WRENCH IN2

4933443607 - M18BIW12-402C - 4000443591





Position	Quantity	Description	Part number	EAN
0004 1	4	SCREW	4931436054	4002395876372
0008 2	1	WASHER	4931452798	4002395169283
0012 3	1	NEEDLE BEARING	4931446185	4002395877645
0013 4	1	BALL	4931453238	4002395153916
0014 5	1	PERCUSSION BODY	4931436056	4002395876396
0015 6	30	BALL	4931440309	4002395892013
0016 7	1	WASHER	4931436057	4002395877003
0017 8	1	SPRING	Item discontinued(4931436058)	
0018 9	1	WASHER	4931436059	4002395877027
0019 10	2	BALL	4931440453	4002395892020
0020 11	1	RAM	4931436060	4002395877034
0021 12	2	PLANET GEAR	4931436061	4002395877041
0022 13	2	CYLINDER PIN	4931435378	4002395889341
0023 14	1	WASHER	4931435379	4002395889358
0024 15	1	BALL BEARING	4931436062	4002395877058
0025 16	1	HOLDING RING	Item discontinued(4931436063)	
0026 17	1	WORM GEAR WHEEL	Item discontinued(4931436064)	
0027 18	1	HOUSING	Item discontinued(4931436065)	
0028 19	1	ELECTRIC FIELD	4931454076	4002395287512
0030 20	2	BALL BEARING	681262001	4002395806126
0033 21	1	CARBON BRUSH SET	4931436067	4002395877799
0035 22	1	LEVER	4931436068	4002395878406
0037 23	1	PRESSURE SPRING	4931408243	4002395814466
0045 24	9	SCREW	660851001	4002395823239
0046 25	1	RATING PLATE	4931436069	4002395878413
0048 26	1	PIN	4931436207	4002395883523
0049 27	1	SPRING	4931436071	4002395878437
0050 28	1	PIN	4931436072	4002395878444
0051 29	1	HOUSING	4931436073	4002395878451
0053 30	1	DRIVE	4931436074	4002395878468
0056 31	1	ARMATURE	4931436075	4002395878475
0058 32	2	SPRING WASHER	670028003	4002395846627
0059 33	2	SCREW	4931435990	4002395876402
0060 34	1	HOLDER	4931436076	4002395878482
0061 35	1	SWITCH ASSEMBLY electronic	4931436077	4002395878499
0062 36	1	HANDLE	4931436078	4002395878505
0070 37	1	CAM SHAFT	4931511005	4058546636678
0700 38	1	CARRYING CASE	Item discontinued(4931436079)	