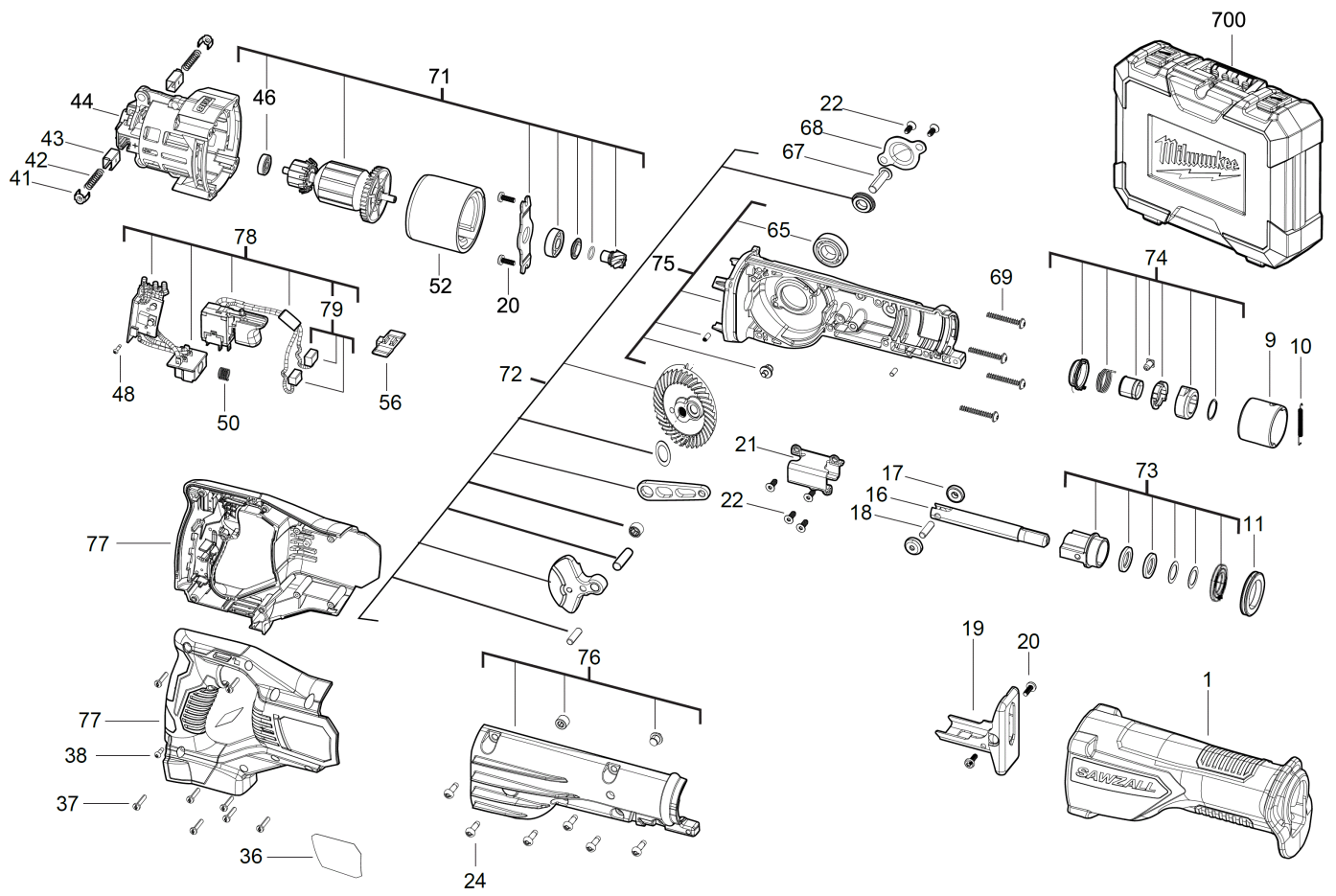


M18BSX-402C BATT.RECIPROCAT.SAW IN2

4933447285 - M 18BSX-402C IN2 - 4000469797





Position	Quantity	Description	Part number	EAN
0001 1	1	COVER	4931436654	4002395256006
0009 2	1	CAM	4931436051	4002395876341
0010 3	1	SPRING	4931436050	4002395876334
0011 4	1	SEAL	4931436021	4002395877652
0016 5	1	SPINDLE	4931436023	4002395877676
0017 6	2	ROLL	4931436024	4002395877683
0018 7	1	BALANCE WEIGHT	4931436025	4002395877690
0019 8	1	SUPPORT	4931436634	4002395258000
0020 9	4	SCREW	4931436635	4002395258017
0021 10	1	STAMP	4931436028	4002395878321
0022 11	6	SCREW	4931453200	4002395151561
0024 12	6	SCREW	4931435228	4002395860128
0036 13	1	RATING PLATE	4931466759	4058546279769
0037 14	8	SCREW	06827261	4058546068967
0038 15	1	SCREW M3,5 Torx 10	660031023	4002395831623
0041 16	2	BRUSH HOLDER	4931436639	4002395258055
0042 17	2	SPRING	4931436640	4002395258062
0043 18	2	BRUSH HOLDER INSUL	4931436655	4002395256013
0044 19	1	MOTOR HOUSING	Item discontinued(4931436642)	
0046 20	1	BALL BEARING	02040645	4058546067939
0048 21	1	SCREW	661081001	4002395830787
0050 22	1	PRESSURE SPRING	4931408243	4002395814466
0052 23	1	ELECTRIC FIELD	4931436643	4002395258093
0056 24	1	LOCK COMPLETE	4931436644	4002395258703
0065 25	1	BALL BEARING	4931436033	4002395878376
0067 26	1	SCREW	4931436035	4002395878383
0068 27	1	PLATE	4931436036	4002395878390
0069 28	4	SCREW	4931436564	4002395257614
0071 29	1	ARMATURE	4931466757	4058546279745
0072 30	1	CRANK ASSEMBLY	4931466758	4058546279752
0073 31	1	BUSH	4931436646	4002395258727
0074 32	1	ACCEPTANCE	4931436647	4002395258734
0075 33	1	GEAR BOX INSUL.LEFT	4931436648	4002395258741
0076 34	1	GEAR BOX INSU.RIGHT	4931436649	4002395258758
0077 35	1	HANDLE COMPL.	4931436650	4002395258765
0078 36	1	ELECTRIC ELEMENT	4931436651	4002395258772
0079 37	1	CARBON BRUSH SET	4931436652	4002395258789
0700 38	1	CARRYING CASE	4931436641	4002395258079