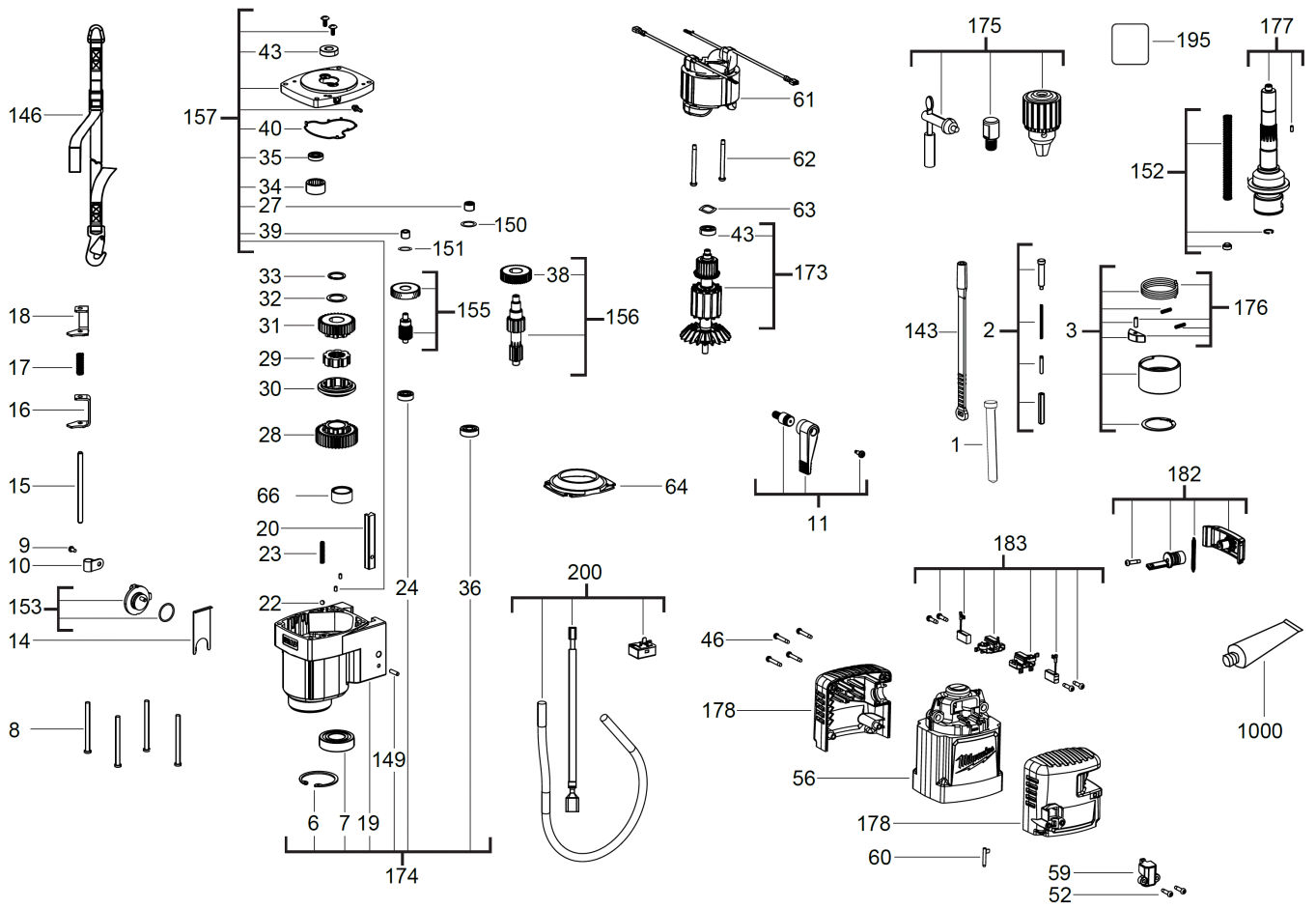


# MDP41 Magnetic Drill Stand IN2

4933451014 - MDP41 - 4000452343







Position	Quantity	Description	Part number	EAN
10001 1	1	GUIDE BOLT	4931453396	4002395147861
10002 2	1	GUIDE BAR	Item discontinued(4931453397)	
10003 3	1	CHUCK SHROUD	4931453092	4002395150663
10006 4	1	RETAINING RING	4931453093	4002395150670
10007 5	1	BALL BEARING	4931453094	4002395150687
10008 6	4	SCREW	Item discontinued(4931453398)	
10009 7	1	SCREW	4931453100	4002395151349
10010 8	1	CABLE CLAMP	4931453099	4002395151332
10011 9	1	CLAMPING LEVER	4931456260	4002395173969
10014 10	1	RETAINING PLATE	4931453097	4002395151318
10015 11	1	GUIDE BOLT	4931453101	4002395151356
10016 12	1	HOLDING BRACKET	4931453102	4002395151363
10017 13	1	SPRING	4931453103	4002395151370
10018 14	1	HOLDING BRACKET	4931453104	4002395151387
10019 15	1	GEAR BOX	Item discontinued(4931453399)	
10020 16	1	LOCKING ROD	4931453098	4002395151325
10022 17	1	BALL BEARING	4931453105	4002395151394
10023 18	1	SPRING	4931453106	4002395152001
10024 19	1	BALL BEARING	02040640	4058546067922
10027 20	1	NEEDLE BEARING	02502400	4058546068233
10028 21	1	WORM GEAR WHEEL	Item discontinued(4931453400)	
10029 22	1	HUB	4931453110	4002395152049
10030 23	1	COUPLING	4931453109	4002395152032
10031 24	1	WORM GEAR WHEEL	4931453401	4002395148516
10032 25	1	WASHER 24x17,8x0,8	680335077	4002395849925
10033 26	1	RETAINING RING	4931453112	4002395152063
10034 27	1	NEEDLE BEARING	4931453113	4002395152070
10035 28	1	SEAL	Item discontinued(4931453114)	
10036 29	1	BALL BEARING	Item discontinued(4931453402)	
10038 30	1	WORM GEAR WHEEL	4931453403	4002395148530
10039 31	1	NEEDLE BEARING	4931453404	4002395148547
10040 32	1	SEAL	4931453115	4002395152094
10043 33	2	BALL BEARING	681337001	4002395826988
10046 34	4	SCREW	4931436769	4002395179183
10052 35	4	SCREW	660024030	4002395826957
10056 36	1	MOTOR HOUSING	4931453406	4002395148561
10059 37	2	CLAMP	Item discontinued(4931453407)	
10060 38	1	PIN	Item discontinued(4931453408)	
10061 39	1	ELECTRIC FIELD	4931453409	4002395149209
10062 40	2	SCREW	4931453410	4002395149216
10063 41	1	WASHER	4931453411	4002395149223
10064 42	1	AIR DEFLECTOR RING	4931453412	4002395149230
10066 43	1	BUSHING	4931453192	4002395150885
10143 44	1	KEY HOLDER	4931453193	4002395150892
10146 45	1	SAFETY STRAP	4931453194	4002395151509
10149 46	1	CYLINDER PIN	4931453172	4002395152872
10150 47	1	WASHER	Item discontinued(4931453424)	
10151 48	1	WASHER	4931453425	4002395149964
10152 49	1	EJECTOR	4931453191	4002395150878
10153 50	1	TURNING KNOB	4931453184	4002395150809

Position	Quantity	Description	Part number	EAN
10155 51	1	PINION	4931453426	4002395149971
10156 52	1	PINION	4931453427	4002395149988
10157 53	1	GEAR BOX COVER	4931453428	4002395149995
10173 54	1	MOTOR ASSEMBLY	4931453430	4002395147212
10174 55	1	GEAR KIT	4931453431	4002395147229
10175 56	1	CHUCK W KEY AND ADAPT.-1PC	49590020	45242364053
10176 57	1	KIT	4931453185	4002395150816
10177 58	1	OUTPUT SHAFT KIT	4931453107	4002395152018
10178 59	1	HOUSING	Item discontinued(4931453432)	
10182 60	1	SWITCH KIT	4931453433	4002395147243
10183 61	1	CARBON BRUSH SET	4931453434	4002395147250
10195 62	1	RATING PLATE	Item discontinued(4931453436)	
10200 63	1	WIRE	4931453438	4002395147298
11000 64	1	GREASE	Item discontinued(49085270)	
20044 65	3	SCREW	4931453405	4002395148554
20068 66	4	SCREW	4931453127	4002395153411
20069 67	8	SCREW	4931453124	4002395152780
20071 68	1	BIT GUIDE	4931453129	4002395153442
20072 69	2	BUSHING	Item discontinued(4931453130)	
20073 70	1	COMPENSATION PLATE	Item discontinued(4931453131)	
20080 71	2	SCREW	4931453413	4002395149247
20081 72	1	ELECTRIC ELEMENT	4931453414	4002395149254
20082 73	2	SCREW	4931453132	4002395153473
20083 74	1	CONNECTOR	4931453415	4002395149261
20084 75	1	HANDLE	4931453133	4002395153480
20085 76	1	CONNECTION CABLE	4931453417	4002395149285
20086 77	1	SPINDLE LOCK	Item discontinued(4931453136)	
20088 78	3	OPERATING HANDLE	4931453137	4002395150724
20089 79	1	CABLE CLAMP	Item discontinued(4931453418)	
20090 80	3	SCREW	Item discontinued(4931435627)	
20091 81	4	SCREW	4931453138	4002395150731
20092 82	1	SWITCH	4931453155	4002395152100
20093 83	1	CYLINDER PIN	Item discontinued(4931453179)	
20094 84	1	ELECTRONIC	4931453419	4002395149902
20096 85	1	TOOTH RACK	4931453140	4002395150755
20098 86	3	SCREW	4931453141	4002395150762
20099 87	1	COVER	4931453142	4002395150779
20100 88	3	MAGNET	Item discontinued(4931453150)	
20101 89	1	MAGNET.DISC FASTEN.	Item discontinued(4931453156)	
20102 90	1	CYLINDER PIN	4931453149	4002395151448
20103 91	1	MAGNETIC FOOT	Item discontinued(4931453143)	
20104 92	1	RIVET	4931453144	4002395150793
20105 93	1	COVER	4931466880	4058546280970
20106 94	4	SCREW	4931507913	4058546604240
20107 95	3	MAGNET	Item discontinued(4931453146)	
20108 96	4	THREADED SLEEVE	Item discontinued(4931453147)	
20118 97	1	LEDGE	Item discontinued(4931453151)	
20120 98	2	BUSHING	4931453152	4002395151479
20121 99	1	SHAFT	Item discontinued(4931453153)	
20122 100	1	GEAR	4931453154	4002395151493

Position	Quantity	Description	Part number	EAN
20123 101	1	GEAR	Item discontinued(4931453157)	
20125 102	1	WASHER	4931453158	4002395152131
20126 103	1	GEAR BOX HOUSING	Item discontinued(4931453421)	
20127 104	1	BUSHING	4931453160	4002395152155
20128 105	1	RUBBER RING	4931453162	4002395152179
20129 106	1	SHAFT	Item discontinued(4931453163)	
20130 107	1	RETAINING RING	4931453164	4002395152193
20131 108	2	FASTENING BOLT	Item discontinued(4931453165)	
20132 109	1	KNOB	4931453422	4002395149933
20136 110	2	LEDGE	Item discontinued(4931453169)	
20137 111	2	PIN	4931453170	4002395152858
20138 112	1	SWITCH COVER	Item discontinued(4931453168)	
20141 113	4	SCREW	4931453138	4002395150731
20142 114	6	SCREW	4931453167	4002395152827
20145 115	1	TANK	4931453423	4002395149940
20147 116	2	SCREW	4931453171	4002395152865
20158 117	1	HOLDING DEVICE	4931453173	4002395152889
20159 118	1	GEAR BOX KIT	4931453175	4002395153503
20160 119	1	FEED SPINDLE	4931453177	4002395153527
20161 120	1	MAG. DRILL PIPE ADAPT.-1PC	48100130	45242362882
20165 121	1	CYLINDER PIN	4931453149	4002395151448
20166 122	1	MAGNET	4931453429	4002395147205
20190 123	1	HOUSING	4931453435	4002395147267
20196 124	1	Adjust. washer set	4931453196	4002395151523
20197 125	1	KIT	4931453197	4002395151530
20199 126	1	FOOT	4931453437	4002395147281
20205 127	2	MAG BASE PLATE	4931453439	4002395147908
20700 128	1	CARRYING CASE	Item discontinued(4931453440)	