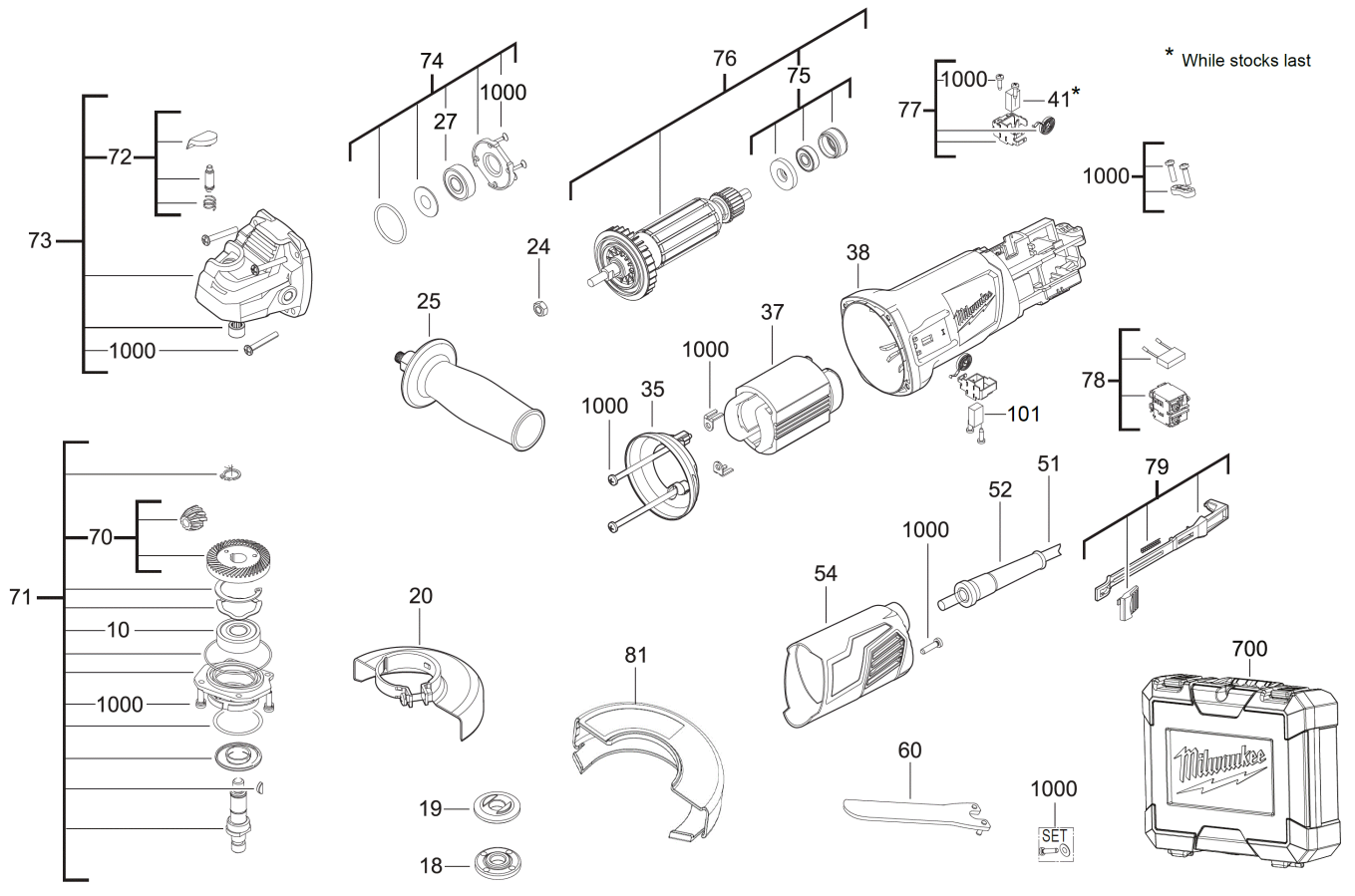


# **AG800-115E ANGLE GRINDER IN2**

**4933451210 - AG800-115E IN2 - 4000509040**



Position	Quantity	Description	Part number	EAN
0010 1	1	BALL BEARING	4931453524	4002395144310
0018 2	1	INTERMEDIATE FLANGE	4931453551	4002395145782
0019 3	1	INTERMEDIATE FLANGE	4931453543	4002395145706
0020 4	1	GUARD CAP SET	4931507671	4058546601829
0024 5	1	NUT	4931453549	4002395145768
0025 6	1	AUXILIARY HANDLE	4931453554	4002395146413
0027 7	1	BALL BEARING	4931453523	4002395144303
0035 8	1	AIR DEFLECTOR RING	4931453520	4002395143672
0037 9	1	ELECTRIC FIELD	4931453537	4002395145041
0038 10	1	MOTOR HOUSING	4931453547	4002395145744
0041 11	2	CARBON BRUSH	4931453529	4002395144365
0051 12	1	CONNECTION CABLE	4931453557	4002395146451
0052 13	1	PROTECTING COVER	4931453530	4002395144372
0054 14	1	HOUSING CAP	4931453559	4002395146475
0060 15	1	WRENCH	Item discontinued(4931453578)	
0070 16	1	GEARWHEEL SET	4931453553	4002395146406
0071 17	1	SPINDLE	4931453571	4002395143795
0072 18	1	LOCKING LEVER	4931453546	4002395145737
0073 19	1	GEAR BOX	4931453538	4002395145058
0074 20	1	BEARING KIT	4931453526	4002395144334
0075 21	1	BALL BEARING	4931453525	4002395144327
0076 22	1	ARMATURE	4931453522	4002395143696
0077 23	2	BRUSH HOLDER	4931453528	4002395144358
0078 24	1	SWITCH	4931453575	4002395144433
0079 25	1	SWITCH BUTTON	4931453576	4002395144440
0081 26	1	CLIP	4931507678	4058546601898
0101 27	1	CARBON BRUSH SET	4931511295	4058546651510
0700 28	1	CARRYING CASE	4931453527	4002395144341
1000 29	1	SCREW	4931453560	4002395146482