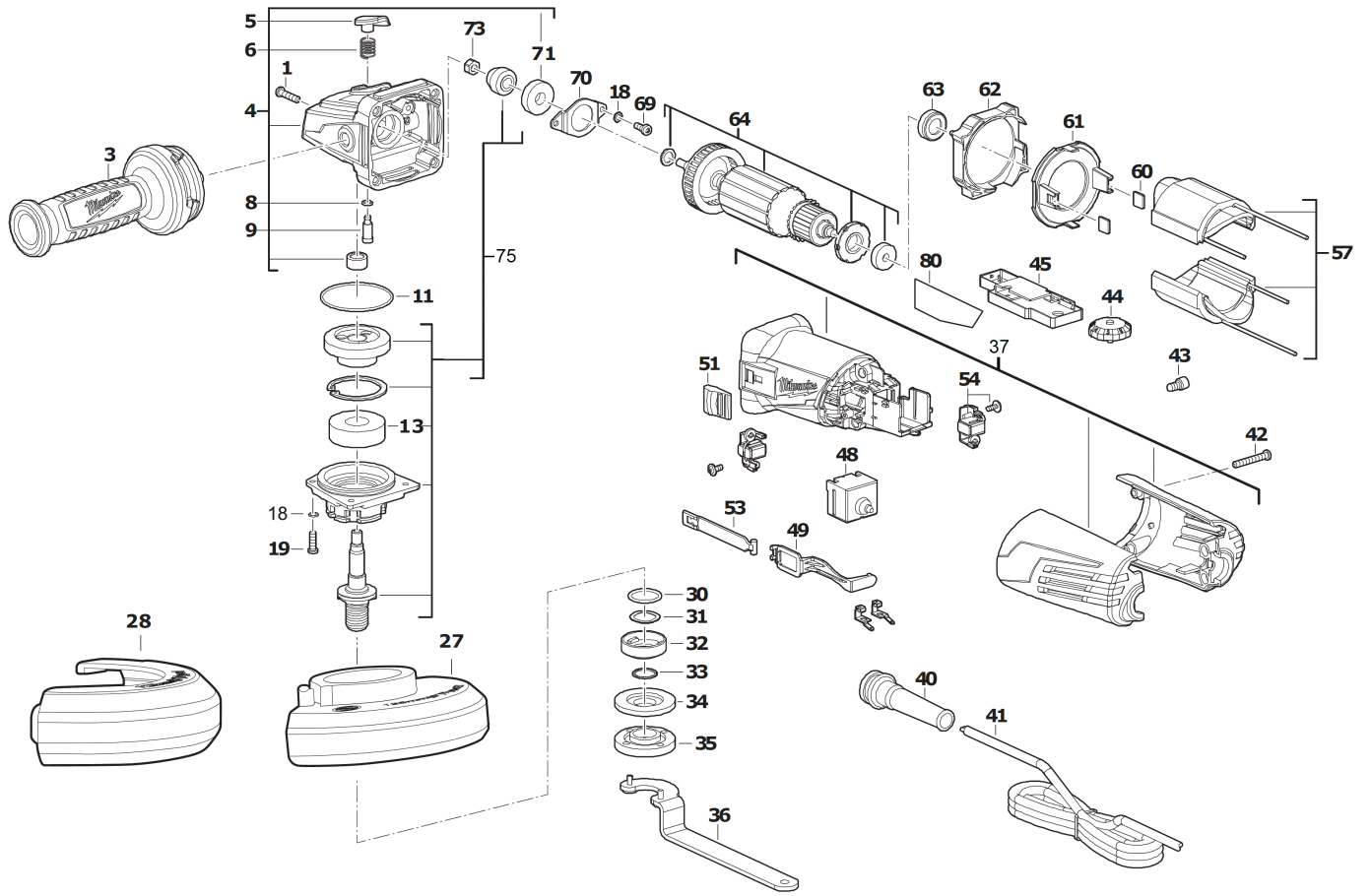


AGV13-125XE ANGLE GRINDER IN2

4933451218 - AGV13-125XE - 4000509185





| Position | Quantity | Description | Part number | EAN |
|----------|----------|--------------------|-------------|---------------|
| 0001 1 | 4 | SCREW | 4931508054 | 4058546627164 |
| 0003 2 | 1 | AUXILIARY HANDLE | 4931435002 | 4002395855919 |
| 0004 3 | 1 | GEAR BOX | 4931461609 | 4058546038427 |
| 0005 4 | 1 | TRIGGER | 4931435004 | 4002395855933 |
| 0006 5 | 1 | SPRING | 4931435005 | 4002395855940 |
| 0008 6 | 1 | O-RING | 4931435006 | 4002395855957 |
| 0009 7 | 1 | LOCKING BOLT | 4931435007 | 4002395855964 |
| 0011 8 | 1 | O-RING | 570699002 | 4002395824472 |
| 0013 9 | 1 | BALL BEARING | 4931446467 | 4002395875733 |
| 0018 10 | 6 | PROTECTION WASHER | 680866003 | 4002395823895 |
| 0019 11 | 4 | SCREW | 4931435150 | 4002395859948 |
| 0027 12 | 1 | GUARD | 4931508048 | 4058546627102 |
| 0028 13 | 1 | CUTTING GUARD | 4931479288 | 4058546386030 |
| 0030 14 | 1 | O-RING | 4931435016 | 4002395856640 |
| 0031 15 | 1 | SPRING WASHER | 4931435017 | 4002395856657 |
| 0032 16 | 1 | FLANGE | 4931435018 | 4002395860357 |
| 0033 17 | 1 | RETAINING RING | 4931435019 | 4002395856664 |
| 0034 18 | 1 | FLANGE | 4931435020 | 4002395856671 |
| 0035 19 | 1 | FLANGE NUT | 4931441309 | 4002395887699 |
| 0036 20 | 1 | SPANNER M14 | 632145002 | 4002395823727 |
| 0037 21 | 1 | MOTOR HOUSING | 4931453472 | 4002395148813 |
| 0040 22 | 1 | CABLE COLLAR | 4931435022 | 4002395856695 |
| 0041 23 | 1 | CONNECTION CABLE | 730351040 | 4002395824052 |
| 0042 24 | 4 | SCREW | 4931435023 | 4002395857302 |
| 0043 25 | 1 | CONNECTOR | 790009001 | 4002395772445 |
| 0044 26 | 1 | VARIABLE RING | 4931435110 | 4002395860562 |
| 0045 27 | 1 | ELECTRONIC | 4931453473 | 4002395148820 |
| 0048 28 | 1 | SWITCH | 4931441014 | 4002395863020 |
| 0049 29 | 1 | GUIDE | 4931435113 | 4002395860500 |
| 0051 30 | 1 | SWITCH BUTTON | 4931453474 | 4002395148837 |
| 0053 31 | 1 | SLIDE | 4931435030 | 4002395857371 |
| 0054 32 | 1 | CARBON BRUSH SET | 4931435031 | 4002395857388 |
| 0057 33 | 1 | ELECTRIC FIELD | 4931435033 | 4002395854608 |
| 0060 34 | 2 | BLOCK | 4931435034 | 4002395854615 |
| 0061 35 | 1 | FOOT | 4931435035 | 4002395854622 |
| 0062 36 | 1 | AIR DEFLECTOR RING | 4931453673 | 4002395144709 |
| 0063 37 | 1 | RUBBER SLEEVE | 4931435037 | 4002395854646 |
| 0064 38 | 1 | ARMATURE | 4931453475 | 4002395148844 |
| 0069 39 | 2 | SCREW | 660165015 | 4002395849826 |
| 0070 40 | 1 | RETAINER | 4931435039 | 4002395860364 |
| 0071 41 | 1 | BALL BEARING | 681337001 | 4002395826988 |
| 0073 42 | 1 | NUT | 671686001 | 4002395824526 |
| 0075 43 | 1 | SPINDLE KIT | 4931447087 | 4002395883424 |
| 0080 44 | 1 | RATING PLATE | 4931508053 | 4058546627157 |