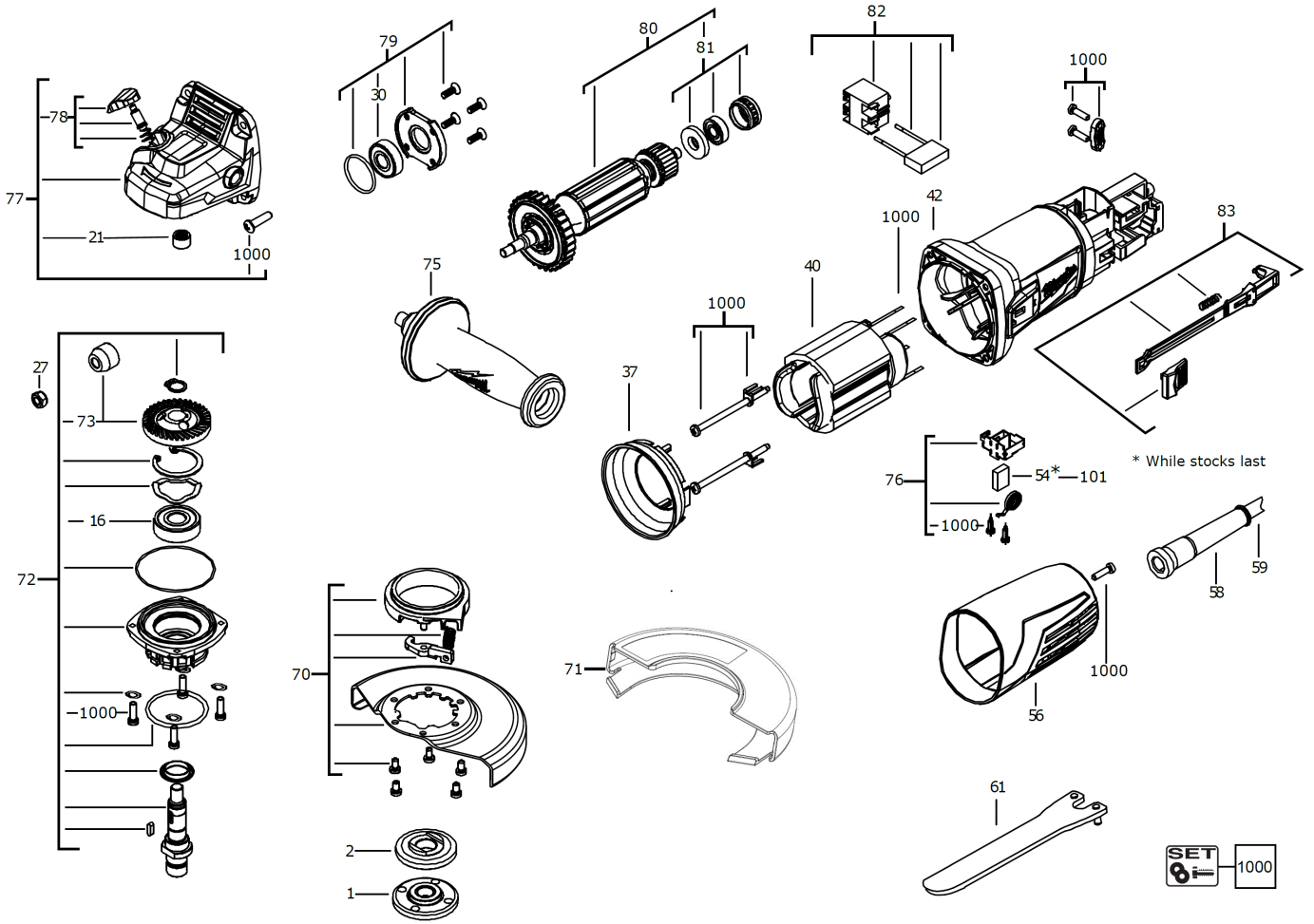


# AG10-125EK ANGLE GRINDER IN2

4933451220 - AG10-125EK IN2 - 4000509010





Position	Quantity	Description	Part number	EAN
0001 1	1	FLANGE	4931441521	4002395867745
0002 2	1	FLANGE	4931441523	4002395867769
0016 3	1	BALL BEARING	4931441524	4002395865000
0021 4	1	NEEDLE BEARING	4931441525	4002395865017
0027 5	1	NUT	4931441526	4002395865031
0030 6	1	BALL BEARING	4931441527	4002395865048
0037 7	1	AIR DEFLECTOR RING	4931441528	4002395865055
0040 8	1	ELECTRIC FIELD	4931441530	4002395875863
0042 9	1	MOTOR HOUSING	4931441531	4002395865062
0054 10	2	CARBON BRUSH 220-240V (1 PCS)	4931441532	4002395865079
0056 11	1	COVER	4931441533	4002395865086
0058 12	1	CABLE ENTRY SLEEVE	4931441534	4002395865093
0059 13	1	CONNECTION CABLE	4931441535	4002395867059
0061 14	1	WRENCH	4931441539	4002395867097
0070 15	1	GUARD CAP SET	4931507672	4058546601836
0071 16	1	CLIP	4931507679	4058546601904
0072 17	1	SPINDLE KIT	4931441557	4002395867042
0073 18	1	PINION	4931441558	4002395865710
0075 19	1	HANDLE	4931441548	4002395865727
0076 20	1	BRUSH HOLDER	4931441559	4002395865703
0077 21	1	GEAR BOX KIT	4931441560	4002395867790
0078 22	1	LOCK COMPLETE	4931441561	4002395865741
0079 23	1	BEARING CAGE	4931441562	4002395875825
0080 24	1	ARMATURE	4931441564	4002395866397
0081 25	1	BALL BEARING	4931441565	4002395875832
0082 26	1	SWITCH	4931453581	4002395144495
0083 27	1	SWITCH LEVER	4931441568	4002395867721
0101 28	1	CARBON BRUSH SET	4931511293	4058546651497
1000 29	1	BOLT SET	4931441569	4002395875849