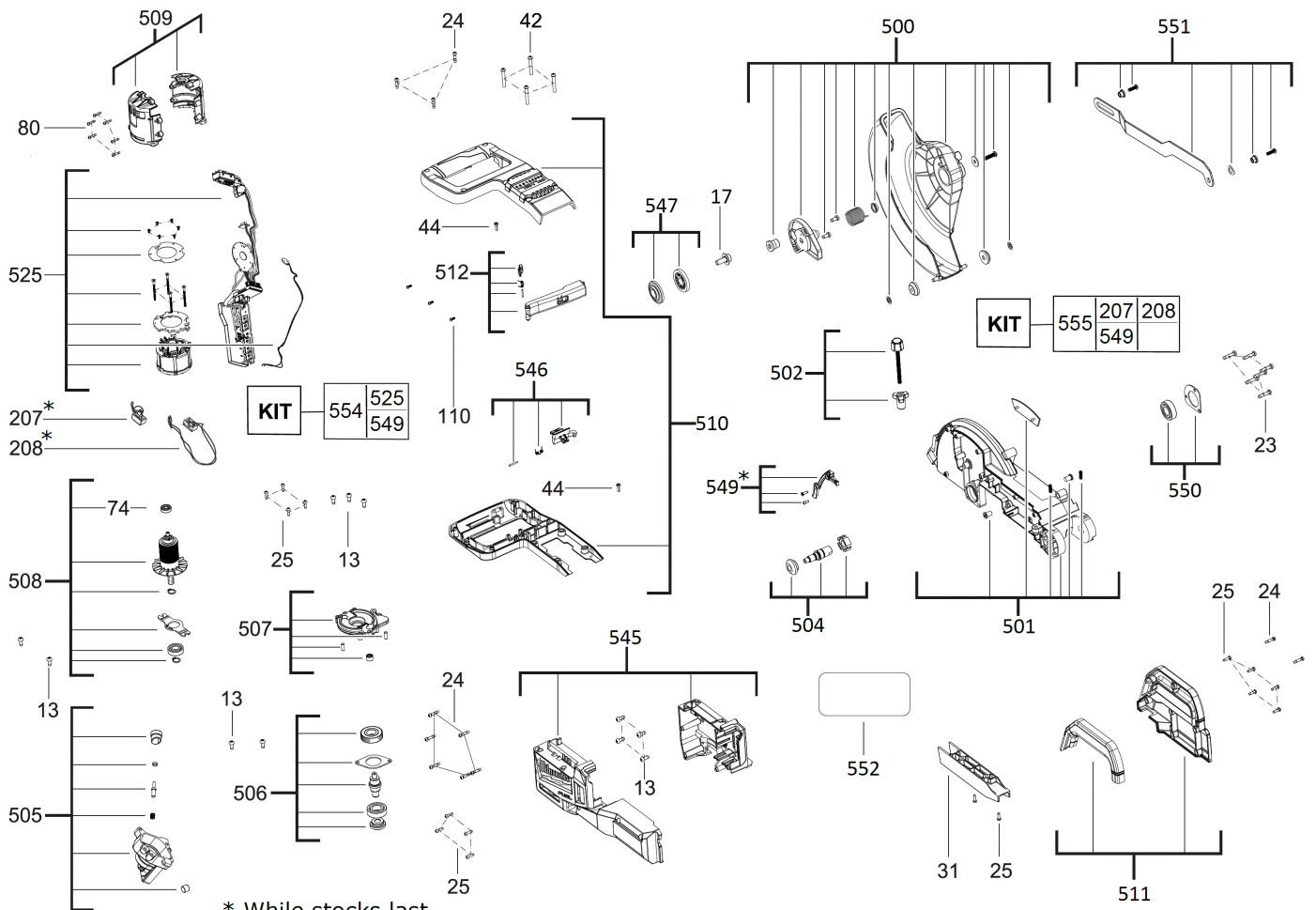
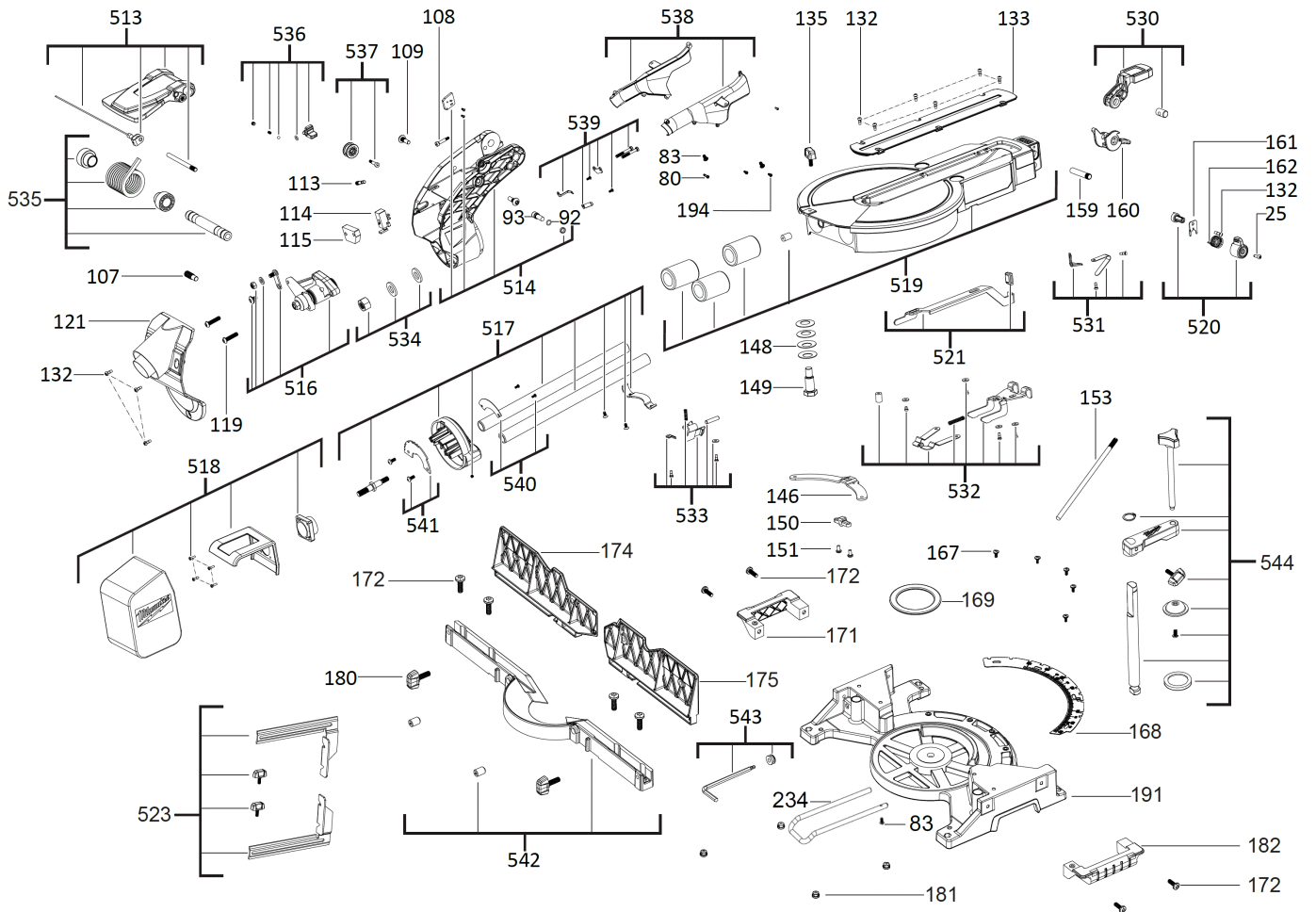


M18FMS254-0 BTY. MITRESAW XXX

4933451729 - M18FMS254-0 - 4000456952







| Position | Quantity | Description | Part number | EAN |
|----------|----------|-------------------|-------------|---------------|
| 0013 1 | 17 | SCREW | 4931454625 | 4058546012427 |
| 0017 2 | 1 | SET SCREW | 4931454626 | 4058546012434 |
| 0023 3 | 6 | SCREW | 4931454627 | 4058546012441 |
| 0024 4 | 11 | SCREW | 4931454628 | 4058546012458 |
| 0025 5 | 16 | SCREW | 4931454629 | 4058546012465 |
| 0031 6 | 1 | CHIP GUIDE | 4931454630 | 4058546012472 |
| 0042 7 | 4 | SCREW | 4931454631 | 4058546012489 |
| 0044 8 | 6 | SCREW | 4931454632 | 4058546012496 |
| 0074 9 | 1 | BALL BEARING | 4931454633 | 4058546012502 |
| 0080 10 | 6 | SCREW | 4931454634 | 4058546012519 |
| 0083 11 | 4 | SCREW | 4931454635 | 4058546012526 |
| 0092 12 | 1 | O-RING | 4931454636 | 4058546012533 |
| 0093 13 | 1 | SPINDLE LOCK | 4931454637 | 4058546012540 |
| 0107 14 | 1 | STOP | 4931454638 | 4058546012557 |
| 0108 15 | 1 | SCREW | 4931454639 | 4058546012564 |
| 0109 16 | 2 | BOLT | 4931454640 | 4058546012571 |
| 0110 17 | 5 | SCREW | 4931454641 | 4058546012588 |
| 0113 18 | 1 | LOCK COMPLETE | 4931454642 | 4058546012595 |
| 0114 19 | 1 | LOCKING PIECE | 4931454643 | 4058546012601 |
| 0115 20 | 1 | LOCK COMPLETE | 4931454644 | 4058546012618 |
| 0119 21 | 2 | SCREW | 4931454645 | 4058546012625 |
| 0121 22 | 1 | COVER | 4931454646 | 4058546012632 |
| 0132 23 | 16 | SCREW | 4931454647 | 4058546012649 |
| 0133 24 | 2 | TABLE INSERT | 4931454648 | 4058546012656 |
| 0135 25 | 1 | KNOB | 4931454649 | 4058546012663 |
| 0146 26 | 1 | LOCKING LEVER | 4931454650 | 4058546012670 |
| 0148 27 | 8 | SPRING | 4931454651 | 4058546012687 |
| 0149 28 | 2 | RETAINING BOLT | 4931454652 | 4058546012694 |
| 0150 29 | 1 | INTERLOCK SLEAVE | 4931454653 | 4058546012700 |
| 0151 30 | 2 | SCREW | 4931454654 | 4058546012717 |
| 0153 31 | 1 | INTERLOCK ELEMENT | 4931454655 | 4058546012724 |
| 0159 32 | 2 | BOLT | 4931454656 | 4058546012731 |
| 0160 33 | 1 | TRIGGER | 4931454657 | 4058546012748 |
| 0161 34 | 1 | LOCKING PART | 4931454658 | 4058546012755 |
| 0162 35 | 1 | SPRING | 4931454659 | 4058546012762 |
| 0167 36 | 5 | SCREW | 4931454660 | 4058546012779 |
| 0168 37 | 1 | LOCKING PART | 4931454661 | 4058546012786 |
| 0169 38 | 1 | BEARING COVER | 4931454662 | 4058546012793 |
| 0171 39 | 1 | RIGHT HANDLE HALF | 4931454663 | 4058546012809 |
| 0172 40 | 8 | SCREW | 4931454664 | 4058546012816 |
| 0174 41 | 1 | COVER FRAME | 4931454665 | 4058546012823 |
| 0175 42 | 1 | COVER FRAME | 4931454666 | 4058546012830 |
| 0180 43 | 2 | COVER | 4931454667 | 4058546012847 |
| 0181 44 | 4 | FOOT | 4931454668 | 4058546012854 |
| 0182 45 | 1 | LEFT HANDLE HALF | 4931454669 | 4058546012861 |
| 0191 46 | 1 | ABSOLUTE UNIT | 4931454670 | 4058546012878 |
| 0194 47 | 3 | SCREW | 4931454671 | 4058546012885 |
| 0207 48 | 1 | WIRE | 4931454672 | 4058546012892 |
| 0208 49 | 1 | WIRE | 4931454673 | 4058546012908 |
| 0234 50 | 1 | YOKE | 4931472866 | 4058546331689 |

| Position | Quantity | Description | Part number | EAN |
|----------|----------|--------------------|-------------|---------------|
| 0500 51 | 1 | GUARD CAP | 4931454674 | 4058546012915 |
| 0501 52 | 1 | MOTOR SUPPORT | 4931454675 | 4058546012922 |
| 0502 53 | 1 | BOLT SET | 4931454676 | 4058546012939 |
| 0504 54 | 1 | SPINDLE KIT | 4931454677 | 4058546012946 |
| 0505 55 | 1 | GEAR BOX | 4931454678 | 4058546012953 |
| 0506 56 | 1 | GEAR BOX KIT | 4931454679 | 4058546012960 |
| 0507 57 | 1 | BEARING END PLATE | 4931454680 | 4058546012977 |
| 0508 58 | 1 | ARMATURE ASSEMBLY | 4931454681 | 4058546012984 |
| 0509 59 | 1 | HOUSING SET ASSY | 4931454682 | 4058546012991 |
| 0510 60 | 1 | HANDLE SET | 4931454683 | 4058546013004 |
| 0511 61 | 1 | HANDLE SET | 4931454684 | 4058546013011 |
| 0512 62 | 1 | SWITCH BUTTON | 4931454685 | 4058546013028 |
| 0513 63 | 1 | PROTECTIVE CAP | 4931454686 | 4058546013035 |
| 0514 64 | 1 | COVER | 4931454687 | 4058546013042 |
| 0516 65 | 1 | BEVEL GEAR | 4931454688 | 4058546013059 |
| 0517 66 | 1 | GUIDE BAR | 4931454689 | 4058546013066 |
| 0518 67 | 1 | DUST BAG | 4931454690 | 4058546013073 |
| 0519 68 | 1 | TABLE | 4931454691 | 4058546013080 |
| 0520 69 | 1 | LOCK COMPLETE | 4931454692 | 4058546013097 |
| 0521 70 | 1 | EXT. W. STOP GAUGE | 4931454693 | 4058546013103 |
| 0523 71 | 1 | STOP | 4931454694 | 4058546013110 |
| 0525 72 | 1 | ELECTRONIC ELEMENT | 4931507957 | 4058546626198 |
| 0530 73 | 1 | LOCK COMPLETE | 4931454696 | 4058546013134 |
| 0531 74 | 1 | LOCK COMPLETE | 4931454697 | 4058546013141 |
| 0532 75 | 1 | ROTARY SLIDER | 4931454698 | 4058546013158 |
| 0533 76 | 1 | LATCH PLATE | 4931454699 | 4058546013165 |
| 0534 77 | 1 | NUT | 4931454700 | 4058546013172 |
| 0535 78 | 1 | SPRING | 4931454701 | 4058546013189 |
| 0536 79 | 1 | STOP | 4931454702 | 4058546013196 |
| 0537 80 | 1 | CABLE ENTRY SLEEVE | 4931454703 | 4058546013202 |
| 0538 81 | 1 | DUST GUARD | 4931454704 | 4058546013219 |
| 0539 82 | 1 | LOCK COMPLETE | 4931454705 | 4058546013226 |
| 0540 83 | 1 | DISPLAYER RING | 4931454706 | 4058546013233 |
| 0541 84 | 1 | DISC | 4931454707 | 4058546013240 |
| 0542 85 | 1 | GUIDE KIT | 4931454708 | 4058546013257 |
| 0543 86 | 1 | WRENCH | 4931454709 | 4058546013264 |
| 0544 87 | 1 | KNOB | 4931454710 | 4058546013271 |
| 0545 88 | 1 | BODY | 4931454711 | 4058546013288 |
| 0546 89 | 1 | SPRING | 4931454712 | 4058546013295 |
| 0547 90 | 1 | CLAMPING FLANGE | 4931454713 | 4058546013301 |
| 0549 91 | 1 | LAMP | 4931454714 | 4058546013318 |
| 0550 92 | 1 | RETAINING PLATE | 4931454715 | 4058546013325 |
| 0551 93 | 1 | GUIDE BAR | 4931454716 | 4058546013332 |
| 0552 94 | 1 | RATING PLATE | 4931454717 | 4058546013349 |
| 0554 95 | 1 | ELECTRONIC | 4931511007 | 4058546636692 |
| 0555 96 | 1 | REPAIR KIT | 4931511509 | 4058546653651 |