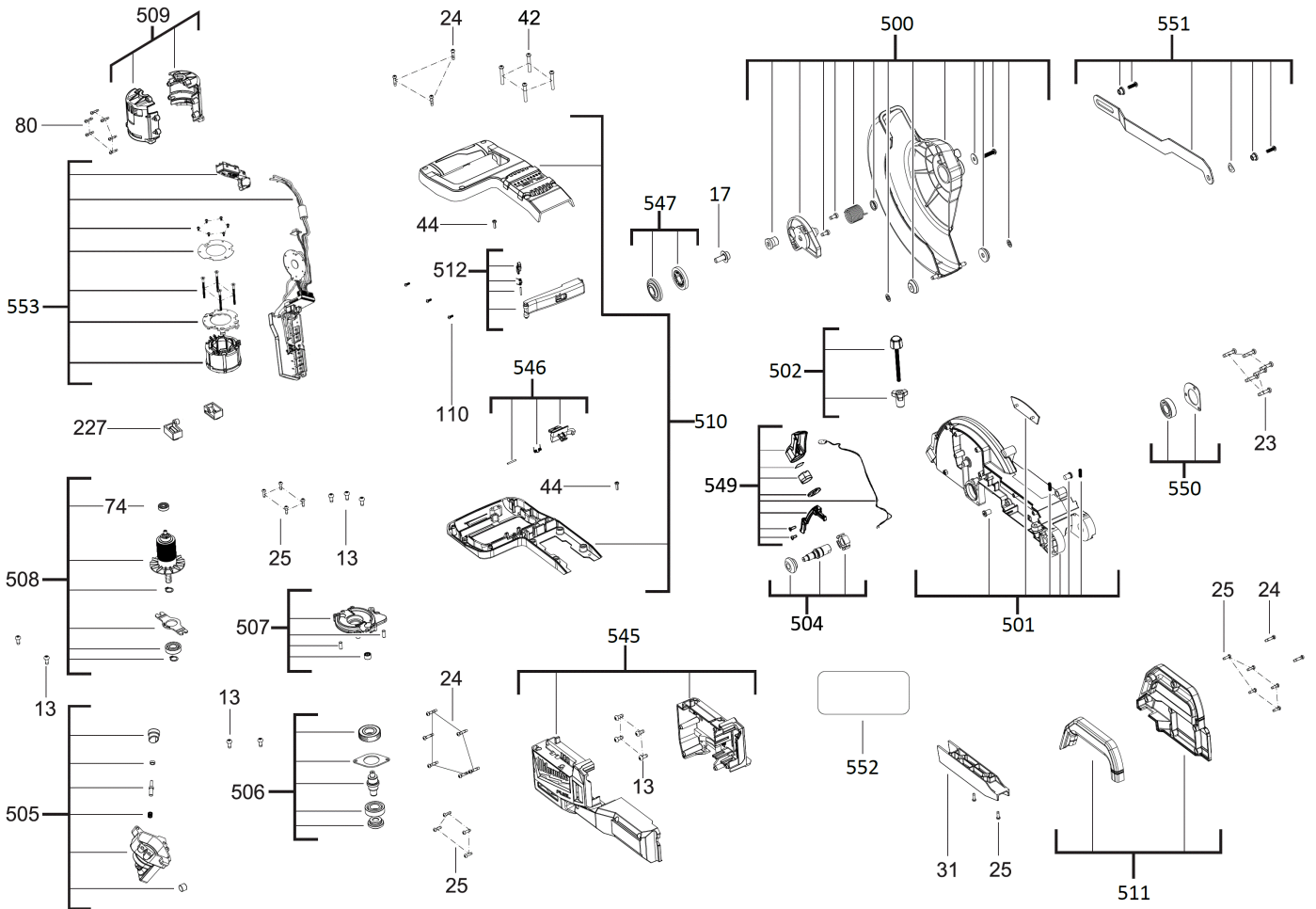
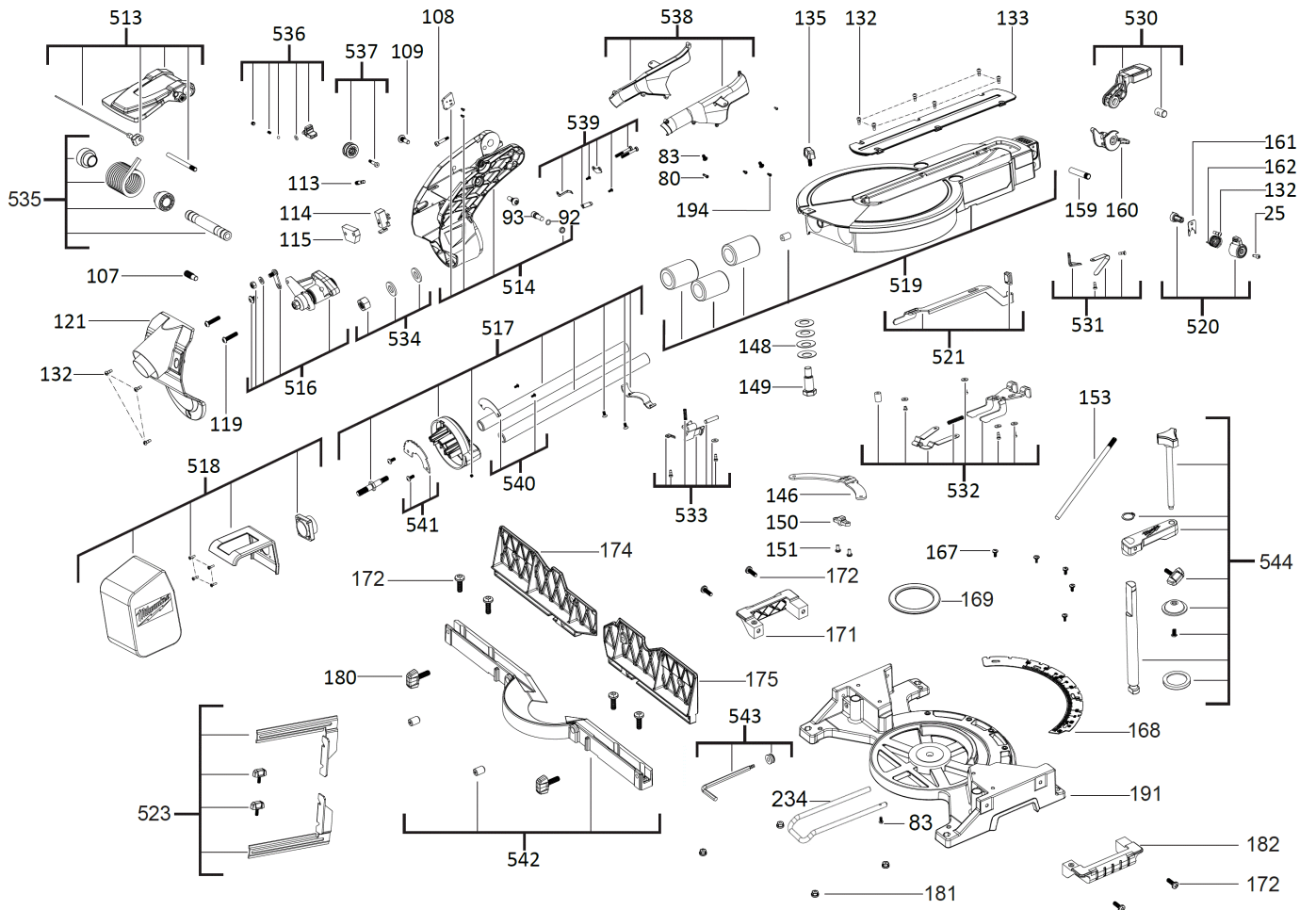


M18FMS254-0 BTY. MITRESAW XXX

4933451729 - M18FMS254-0 - 4000503864







Position	Quantity	Description	Part number	EAN
0013 1	17	SCREW	4931454625	4058546012427
0017 2	1	SET SCREW	4931454626	4058546012434
0023 3	6	SCREW	4931454627	4058546012441
0024 4	11	SCREW	4931454628	4058546012458
0025 5	16	SCREW	4931454629	4058546012465
0031 6	1	CHIP GUIDE	4931454630	4058546012472
0042 7	4	SCREW	4931454631	4058546012489
0044 8	6	SCREW	4931454632	4058546012496
0074 9	1	BALL BEARING	4931454633	4058546012502
0080 10	6	SCREW	4931454634	4058546012519
0083 11	4	SCREW	4931454635	4058546012526
0092 12	1	O-RING	4931454636	4058546012533
0093 13	1	SPINDLE LOCK	4931454637	4058546012540
0107 14	1	STOP	4931454638	4058546012557
0108 15	1	SCREW	4931454639	4058546012564
0109 16	2	BOLT	4931454640	4058546012571
0110 17	5	SCREW	4931454641	4058546012588
0113 18	1	LOCK COMPLETE	4931454642	4058546012595
0114 19	1	LOCKING PIECE	4931454643	4058546012601
0115 20	1	LOCK COMPLETE	4931454644	4058546012618
0119 21	2	SCREW	4931454645	4058546012625
0121 22	1	COVER	4931454646	4058546012632
0132 23	16	SCREW	4931454647	4058546012649
0133 24	2	TABLE INSERT	4931454648	4058546012656
0135 25	1	KNOB	4931454649	4058546012663
0146 26	1	LOCKING LEVER	4931454650	4058546012670
0148 27	8	SPRING	4931454651	4058546012687
0149 28	2	RETAINING BOLT	4931454652	4058546012694
0150 29	1	INTERLOCK SLEAVE	4931454653	4058546012700
0151 30	2	SCREW	4931454654	4058546012717
0153 31	1	INTERLOCK ELEMENT	4931454655	4058546012724
0159 32	2	BOLT	4931454656	4058546012731
0160 33	1	TRIGGER	4931454657	4058546012748
0161 34	1	LOCKING PART	4931454658	4058546012755
0162 35	1	SPRING	4931454659	4058546012762
0167 36	5	SCREW	4931454660	4058546012779
0168 37	1	LOCKING PART	4931454661	4058546012786
0169 38	1	BEARING COVER	4931454662	4058546012793
0171 39	1	RIGHT HANDLE HALF	4931454663	4058546012809
0172 40	8	SCREW	4931454664	4058546012816
0174 41	1	COVER FRAME	4931454665	4058546012823
0175 42	1	COVER FRAME	4931454666	4058546012830
0180 43	2	COVER	4931454667	4058546012847
0181 44	4	FOOT	4931454668	4058546012854
0182 45	1	LEFT HANDLE HALF	4931454669	4058546012861
0191 46	1	ABSOLUTE UNIT	4931454670	4058546012878
0194 47	3	SCREW	4931454671	4058546012885
0227 48	2	COVER	4931507954	4058546626167
0234 49	1	YOKE	4931472866	4058546331689
0500 50	1	GUARD CAP	4931454674	4058546012915

Position	Quantity	Description	Part number	EAN
0501 51	1	MOTOR SUPPORT	4931454675	4058546012922
0502 52	1	BOLT SET	4931454676	4058546012939
0504 53	1	SPINDLE KIT	4931454677	4058546012946
0505 54	1	GEAR BOX	4931454678	4058546012953
0506 55	1	GEAR BOX KIT	4931454679	4058546012960
0507 56	1	BEARING END PLATE	4931454680	4058546012977
0508 57	1	ARMATURE ASSEMBLY	4931454681	4058546012984
0509 58	1	HOUSING SET ASSY	4931454682	4058546012991
0510 59	1	HANDLE SET	4931454683	4058546013004
0511 60	1	HANDLE SET	4931454684	4058546013011
0512 61	1	SWITCH BUTTON	4931454685	4058546013028
0513 62	1	PROTECTIVE CAP	4931454686	4058546013035
0514 63	1	COVER	4931454687	4058546013042
0516 64	1	BEVEL GEAR	4931454688	4058546013059
0517 65	1	GUIDE BAR	4931454689	4058546013066
0518 66	1	DUST BAG	4931454690	4058546013073
0519 67	1	TABLE	4931454691	4058546013080
0520 68	1	LOCK COMPLETE	4931454692	4058546013097
0521 69	1	EXT. W. STOP GAUGE	4931454693	4058546013103
0523 70	1	STOP	4931454694	4058546013110
0530 71	1	LOCK COMPLETE	4931454696	4058546013134
0531 72	1	LOCK COMPLETE	4931454697	4058546013141
0532 73	1	ROTARY SLIDER	4931454698	4058546013158
0533 74	1	LATCH PLATE	4931454699	4058546013165
0534 75	1	NUT	4931454700	4058546013172
0535 76	1	SPRING	4931454701	4058546013189
0536 77	1	STOP	4931454702	4058546013196
0537 78	1	CABLE ENTRY SLEEVE	4931454703	4058546013202
0538 79	1	DUST GUARD	4931454704	4058546013219
0539 80	1	LOCK COMPLETE	4931454705	4058546013226
0540 81	1	DISPLAYER RING	4931454706	4058546013233
0541 82	1	DISC	4931454707	4058546013240
0542 83	1	GUIDE KIT	4931454708	4058546013257
0543 84	1	WRENCH	4931454709	4058546013264
0544 85	1	KNOB	4931454710	4058546013271
0545 86	1	BODY	4931454711	4058546013288
0546 87	1	SPRING	4931454712	4058546013295
0547 88	1	CLAMPING FLANGE	4931454713	4058546013301
0549 89	1	LAMP	4931507955	4058546626174
0550 90	1	RETAINING PLATE	4931454715	4058546013325
0551 91	1	GUIDE BAR	4931454716	4058546013332
0552 92	1	RATING PLATE	4931507956	4058546626181
0553 93	1	ELECTRIC FIELD	4931507957	4058546626198