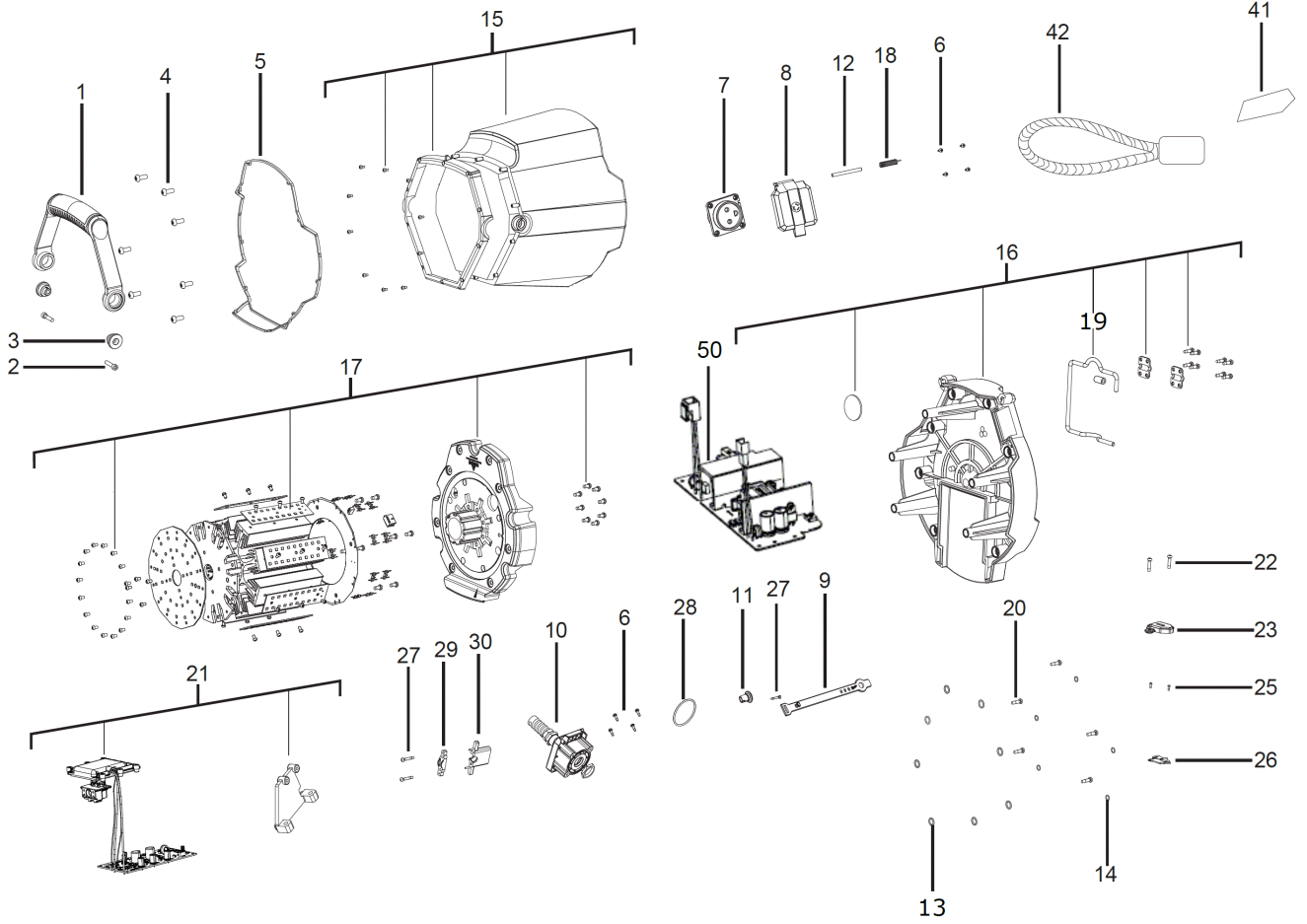


M18ONESLSP-0 AREA LIGHT IN3

4933459155 - M18ONESLSP-0 - 4000510063





Position	Quantity	Description	Part number	EAN
0001 1	1	HANDLE	4931454899	4058546020736
0002 2	2	SCREW	4931454900	4058546020743
0003 3	2	BUSH	4931454901	4058546020750
0004 4	6	SCREW	660024045	4002395903689
0005 5	1	SEAL RING	4931454902	4058546020767
0006 6	8	SCREW	4931461472	4058546037055
0007 7	1	WALL SOCKET	4931461497	4058546037307
0008 8	1	COVER	4931461474	4058546037079
0009 9	1	STRAP	4931461475	4058546037086
0010 10	1	POWER CORD	4931461492	4058546037253
0011 11	1	STOPPER	4931461477	4058546037109
0012 12	1	PIN	4931461478	4058546037116
0013 13	8	O-RING	Item discontinued(4931454909)	
0014 14	5	O-RING	4931454910	4058546020842
0015 15	1	LAMP HOUSING	Item discontinued(4931454911)	
0016 16	1	COVER	4931461479	4058546037123
0017 17	1	ILLUMINANT	4931461480	4058546037130
0018 18	1	SPRING	4931461481	4058546037147
0019 19	1	HOOK	4931461482	4058546037154
0020 20	5	SCREW	Item discontinued(4931454916)	
0021 21	1	ELECTRONIC	4931507971	4058546626334
0022 22	2	SCREW	4931461357	4058546035297
0023 23	1	COVER	4931461484	4058546037178
0025 24	2	SCREW	4931461485	4058546037185
0026 25	1	ELECT.CIRCUIT BOARD	4931461486	4058546037192
0027 26	3	SCREW	4931453227	4002395153206
0028 27	1	O-RING	4931461487	4058546037208
0029 28	1	RETAINING PLATE	4931461488	4058546037215
0030 29	1	HOLDING BRACKET	4931461489	4058546037222
0041 30	1	RATING PLATE	4931507973	4058546626358
0042 31	1	WIRE STRAP	Item discontinued(4931454920)	
0050 32	1	ELECTRONIC	4931479002	4058546365707