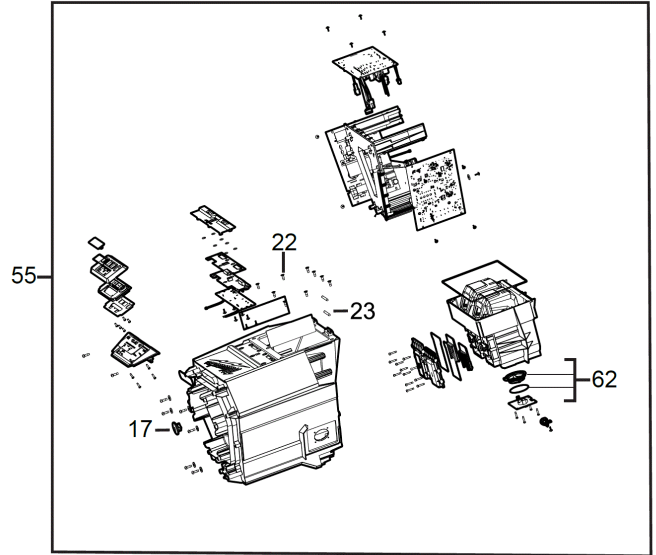
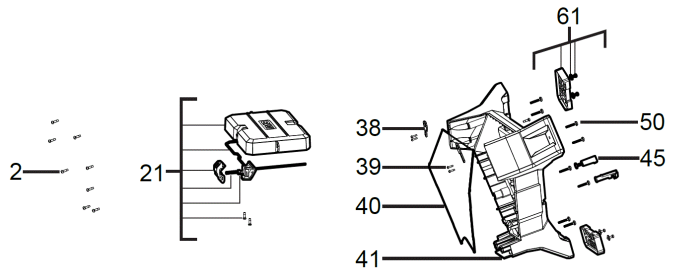
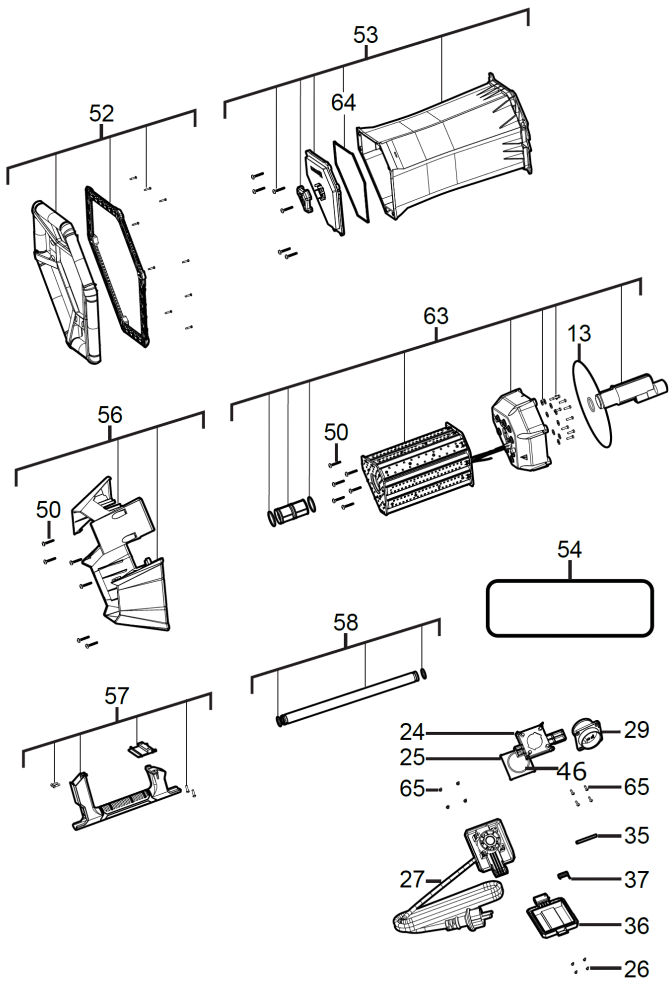


M18ONESLDP-0 AREA LIGHT IN3

4933459160 - M18ONESLDP-0 - 4000510067





Position	Quantity	Description	Part number	EAN
0002 1	25	SCREW	660024045	4002395903689
0013 2	1	RUBBER FOOT	4931465060	4058546231606
0017 3	1	SEAL	4931465061	4058546231613
0021 4	1	BATTERY CAP	4931465062	4058546231620
0022 5	9	SCREW	4931465063	4058546231637
0023 6	2	BOLT	4931465064	4058546231644
0024 7	1	INSERT	4931465082	4058546231828
0025 8	1	SEAL	4931465083	4058546231835
0026 9	4	SCREW	660570005	4002395827329
0027 10	1	POWER CORD	4931465088	4058546231880
0029 11	1	PLUG SOCKET	4931465095	4058546231958
0035 12	1	BOLT	4931465084	4058546231842
0036 13	1	COVER LID	4931465085	4058546231859
0037 14	1	SPRING	4931465086	4058546231866
0038 15	2	COVER FRAME	4931465066	4058546231668
0039 16	4	SCREW	4931436686	4002395258260
0040 17	1	SEAL	4931465067	4058546231675
0041 18	1	HOUSING BOTTOM	4931465068	4058546231682
0045 19	2	SCREW	4931465069	4058546231699
0046 20	1	SEAL	4931465087	4058546231873
0050 21	20	SCREW	4931465097	4058546231972
0052 22	1	HANDLE	4931465070	4058546231705
0053 23	1	HOUSING	4931465071	4058546231712
0054 24	1	RATING PLATE	4931507969	4058546626310
0055 25	1	ELECTRONIC	4931507970	4058546626327
0056 26	1	BODY	4931465074	4058546231743
0057 27	1	HANDLE	4931465075	4058546231750
0058 28	1	TUBE	4931465076	4058546231767
0061 29	1	RUBBER PLATE	4931465077	4058546231774
0062 30	1	COVER	4931465078	4058546231781
0063 31	1	LAMP	4931465079	4058546231798
0064 32	1	SEAL	4931465080	4058546231804
0065 33	8	SCREW	4931461472	4058546037055