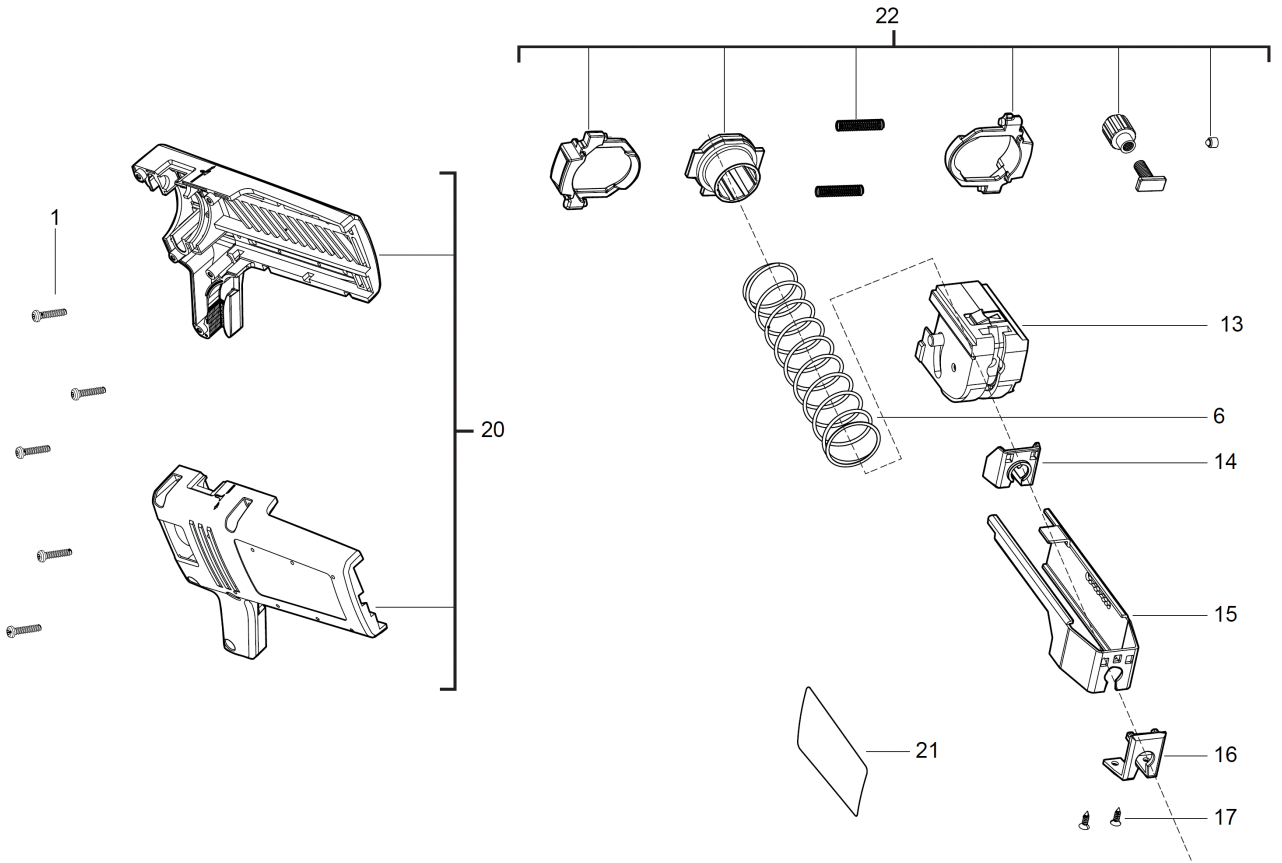


M18FSGC-202X FUEL Drywall Screw Gun IN2

4933459199 - M18FSGC-202X IN2 - 4000458065





| Position | Quantity | Description | Part number | EAN |
|-----------------|-----------------|--------------------|--------------------|---------------|
| 0001 1 | 5 | SCREW | 4931453227 | 4002395153206 |
| 0006 2 | 1 | SPRING | 4931461105 | 4058546032777 |
| 0013 3 | 1 | MAGAZINE | 4931461106 | 4058546032784 |
| 0014 4 | 1 | HOLDING BRACKET | 4931461107 | 4058546032791 |
| 0015 5 | 1 | BRACKET | 4931461108 | 4058546032807 |
| 0016 6 | 1 | HOLDING BRACKET | 4931461109 | 4058546032814 |
| 0017 7 | 2 | SCREW | 661197002 | 4002395903825 |
| 0020 8 | 1 | HANDLE SET | 4931461110 | 4058546032821 |
| 0021 9 | 1 | RATING PLATE | 4931461111 | 4058546032838 |
| 0022 10 | 1 | COVER | 4931461112 | 4058546032845 |