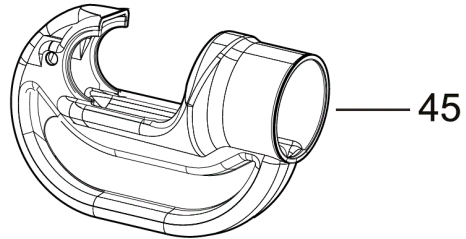
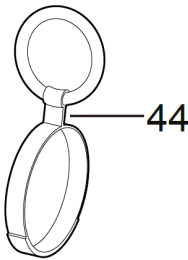
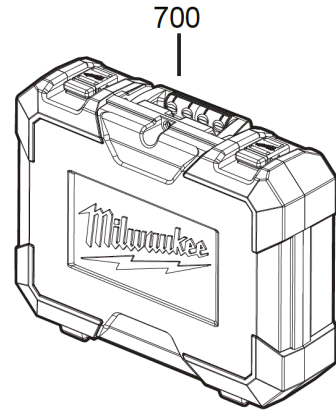
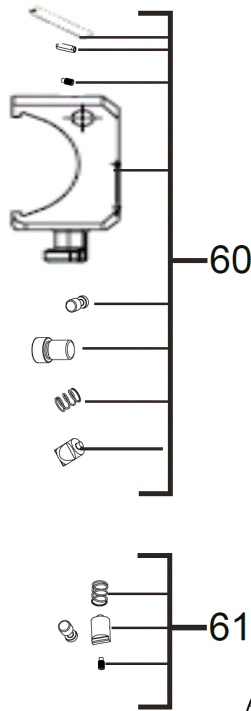
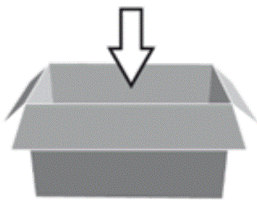
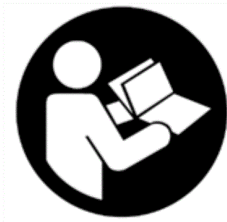


M18HCCT109/42-522C Hyd.12t Crimper IN2

4933459273 - M18HCCT109/42-522C - 4000510090



Force Logic™



Position	Quantity	Description	Part number	EAN
0044 1	1	RING	4931466956	4058546281731
0045 2	1	HEAD	4931466957	4058546281748
0060 3	1	PUNCH	4931479522	4058546388379
0061 4	1	HOLDER	4931466961	4058546281786
0700 5	1	CARRYING CASE	4931466972	4058546281892