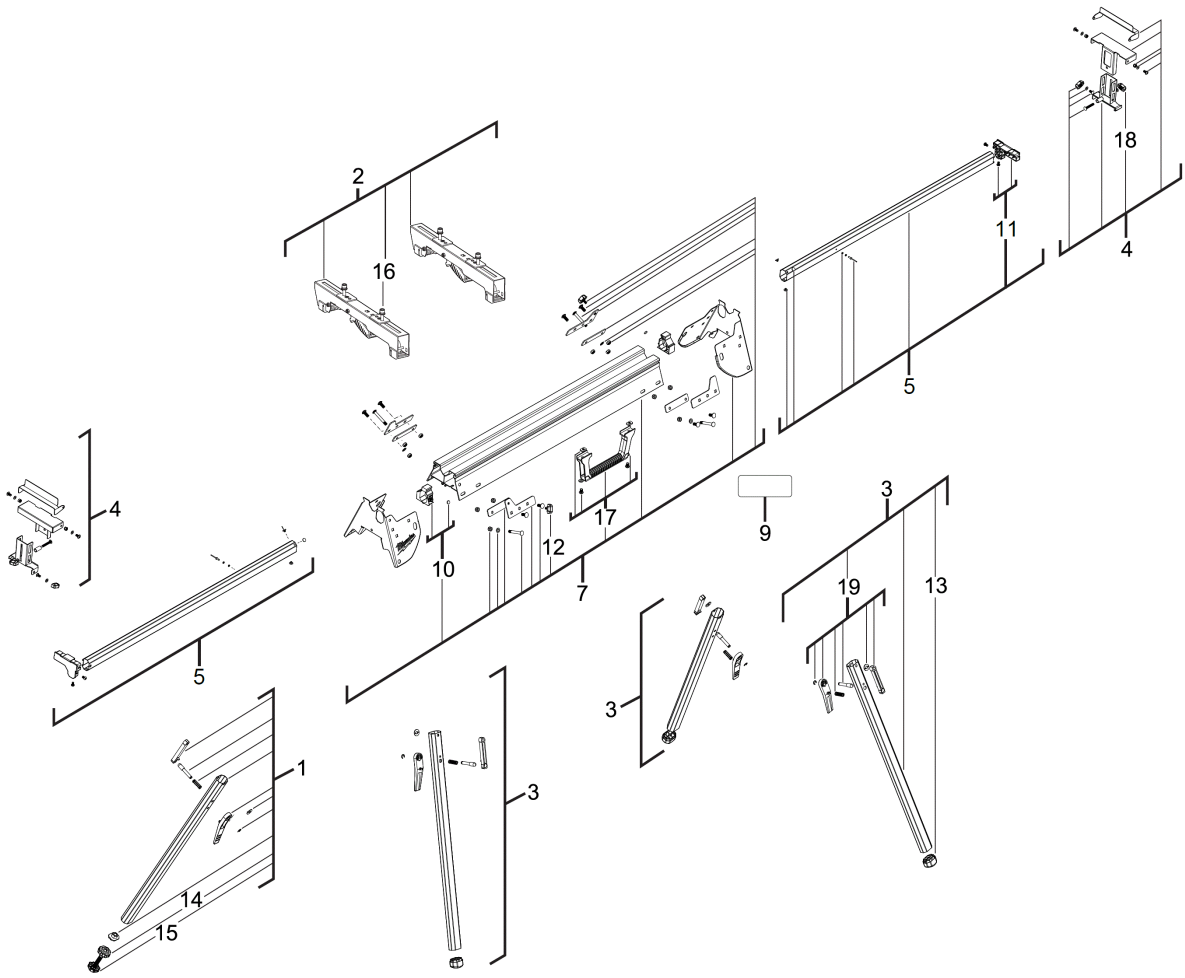


MSL2000 Miter Saw Legstand XXX

4933459617 - MSL2000 - 4000460555





Position	Quantity	Description	Part number	EAN
0001 1	1	FOOT	4931461727	4058546039608
0003 2	3	FOOT	4931461728	4058546039615
0004 3	2	HOLDING DEVICE	4931461729	4058546039622
0005 4	2	SUPPORTING PLATE	4931461730	4058546039639
0007 5	1	SUPPORTING PLATE	Item discontinued(4931461731)	
0009 6	1	RATING PLATE	4931461732	4058546039653
0010 7	2	ADAPTER SLEEVE	4931461733	4058546039660
0011 8	2	COVER ASSY	4931461734	4058546039677
0012 9	2	INTERLOCK ELEMENT	4931461735	4058546039684
0013 10	3	FOOT	4931461736	4058546039691
0014 11	1	COMPENSATION PLATE	4931461737	4058546039707
0015 12	1	COMPENSATING WASHER	4931461738	4058546039714
0016 13	1	SCREW	4931461739	4058546039721
0017 14	1	HANDLE COMPL.	4931461740	4058546039738
0018 15	2	KNOB	4931461741	4058546039745
0019 16	4	RELEASE LEVER	4931461742	4058546039752