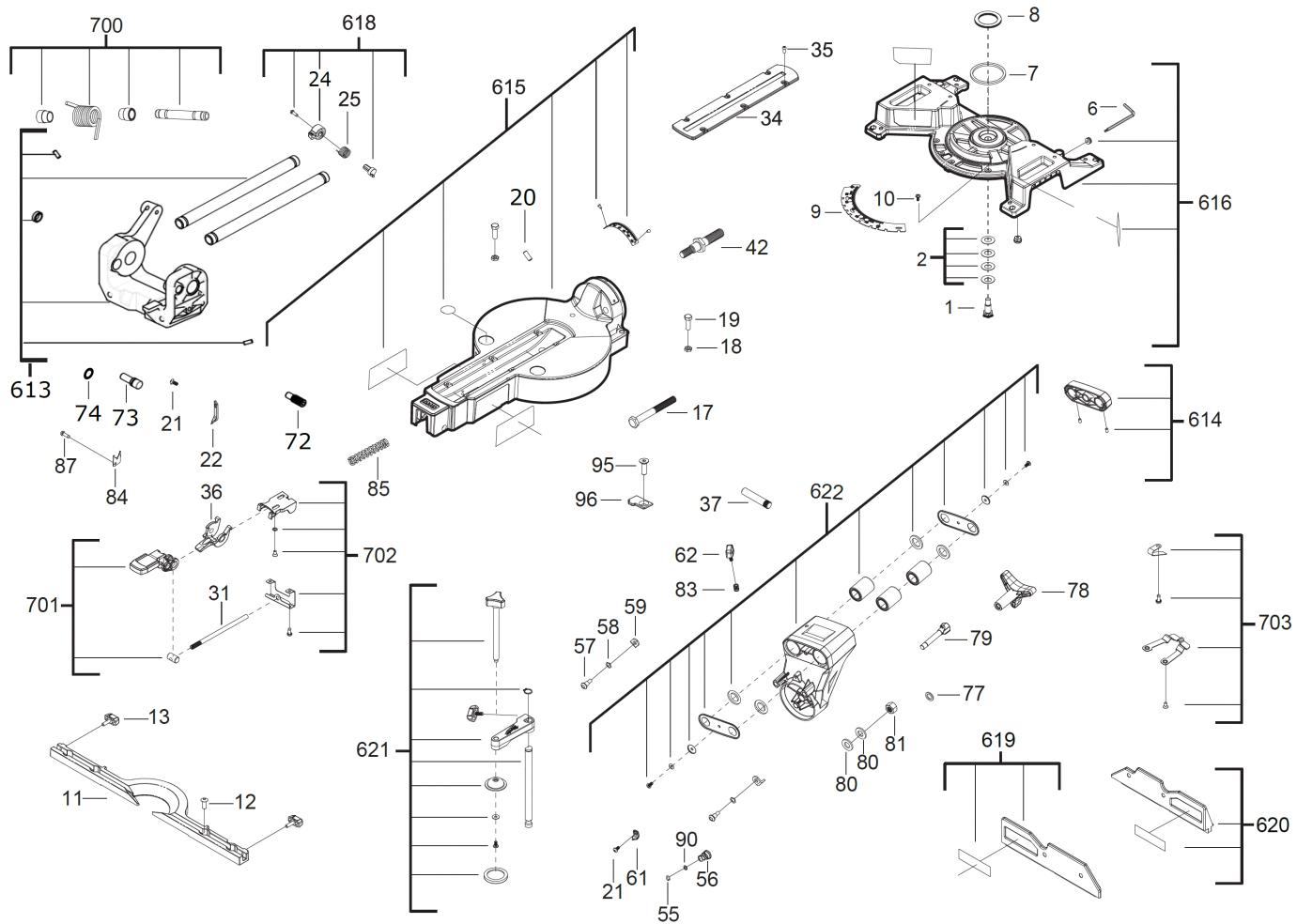
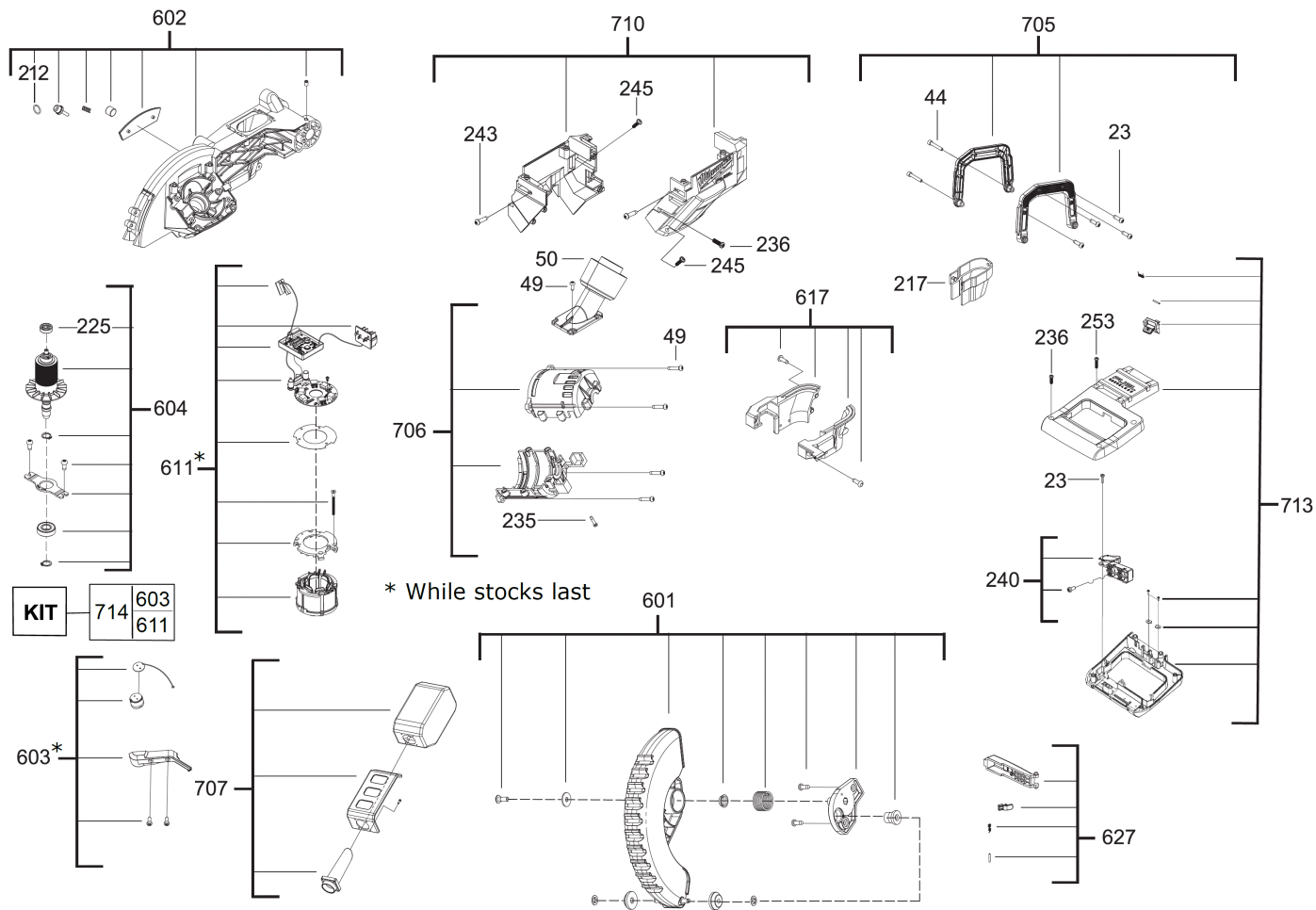


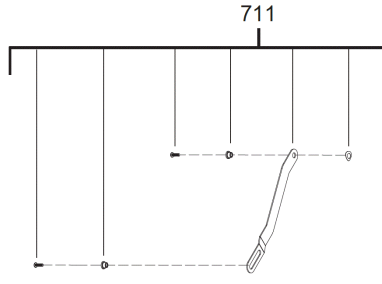
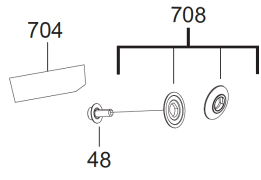
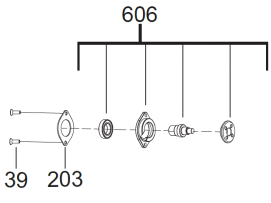
M18FMS190-0 MITRE SAW XXX

4933459619 - M18FMS190-0 - 4000460635









Position	Quantity	Description	Part number	EAN
0001 1	1	BEARING BOLT	4931461974	4058546230746
0002 2	1	SPRING	4931454651	4058546012687
0006 3	1	ALLEN KEY	4931461976	4058546230760
0007 4	1	FELT WASHER	4931461977	4058546230777
0008 5	1	THRUST BEARING	4931461978	4058546230784
0009 6	1	SCALE	4931461979	4058546230791
0010 7	4	SCREW	4931461980	4058546230807
0011 8	1	GUIDE KIT	4931461981	4058546230814
0012 9	4	SCREW	4931461982	4058546230821
0013 10	2	T-SCREW	4931461983	4058546230838
0017 11	1	CLAMPING SCREW	4931461984	4058546230845
0018 12	2	NUT	4931461985	4058546230852
0019 13	2	SCREW	4931461986	4058546230869
0020 14	1	SCREW	4931461987	4058546230876
0021 15	5	SCREW	4931461988	4058546230883
0022 16	1	POINTER	4931461989	4058546230890
0023 17	6	SCREW	4931461990	4058546230906
0024 18	1	KNOB	4931461994	4058546230944
0025 19	1	SPRING	4931454659	4058546012762
0031 20	1	ROD	4931461991	4058546230913
0034 21	1	TABLE INSERT	4931461992	4058546230920
0035 22	6	SCREW	4931461993	4058546230937
0036 23	1	CLAMPING LEVER	4931511291	4058546651473
0037 24	1	AXLE	4931461995	4058546230951
0039 25	4	SCREW	4931461996	4058546230968
0042 26	1	THREADED BOLT	4931461997	4058546230975
0044 27	2	SCREW	4931461998	4058546230982
0048 28	1	SET SCREW	4931454626	4058546012434
0049 29	10	SCREW	4931461999	4058546230999
0050 30	1	SUCTION SLEEVE	4931465000	4058546231002
0055 31	1	CABLE CLAMP	4931465001	4058546231019
0056 32	1	SPRING	4931465002	4058546231026
0057 33	2	SCREW	4931465003	4058546231033
0058 34	2	WASHER	4931465004	4058546231040
0059 35	2	WASHER	4931465005	4058546231057
0061 36	1	INDICATOR SET	4931465006	4058546231064
0062 37	1	KNOB	4931454649	4058546012663
0072 38	1	STOP	4931454638	4058546012557
0073 39	1	SPINDLE LOCK	4931454637	4058546012540
0074 40	1	O-RING	4931454636	4058546012533
0077 41	1	WASHER	4931465009	4058546231095
0078 42	1	T-NUT	4931465010	4058546231101
0079 43	1	BOLT	4931465011	4058546231118
0080 44	2	WASHER	4931465012	4058546231125
0081 45	1	NUT	4931465013	4058546231132
0083 46	1	SIDE SPRING	4931465014	4058546231149
0084 47	1	LOCK COMPLETE	4931465015	4058546231156
0085 48	1	TENSION SPRING	4931465016	4058546231163
0087 49	1	SCREW	4931465017	4058546231170
0090 50	1	LOOKED WASHER	4931465018	4058546231187

Position	Quantity	Description	Part number	EAN
0095 51	1	SCREW	4931465019	4058546231194
0096 52	1	PLATE	4931465020	4058546231200
0203 53	2	HOLDING PLATE	4931465021	4058546231217
0212 54	1	RING	4931512141	4058546659974
0217 55	1	DUST EXTRACTION	4931465022	4058546231224
0225 56	1	BALL BEARING	4931465023	4058546231231
0235 57	6	SCREW	4931465024	4058546231248
0236 58	11	SCREW	4931465025	4058546231255
0240 59	1	SWITCH	4931465026	4058546231262
0243 60	2	SCREW	4931465027	4058546231279
0245 61	4	SCREW	4931465028	4058546231286
0253 62	1	SCREW	4931465029	4058546231293
0601 63	1	SAW PROTECTION	4931465030	4058546231309
0602 64	1	MOTOR SUPPORT	4931465031	4058546231316
0603 65	1	INDICATOR SET	Item discontinued(4931465032)	
0604 66	1	ARMATURE	4931465033	4058546231330
0606 67	1	SPINDLE KIT	4931465034	4058546231347
0611 68	1	ELECTRIC FIELD	4931507952	4058546626143
0613 69	1	GUIDE BAR	4931465036	4058546231361
0614 70	1	COVER	4931465037	4058546231378
0615 71	1	SAWING TABLE	4931465038	4058546231385
0616 72	1	BASE PLATE	4931465039	4058546231392
0617 73	1	DUST EXTRACTION	4931465040	4058546231408
0618 74	1	LOCK COMPLETE	4931465041	4058546231415
0619 75	1	COVER	4931465042	4058546231422
0620 76	1	COVER	4931465043	4058546231439
0621 77	1	CLAMPING PIECE	4931465044	4058546231446
0622 78	1	GUIDE PIECE	4931465045	4058546231453
0624 79	1	INDICATOR SET	Item discontinued(4931465046)	
0627 80	1	TRIGGER	4931465047	4058546231477
0700 81	1	GUIDE SHAFT	4931465048	4058546231484
0701 82	1	LOCKING PIECE	4931465049	4058546231491
0702 83	1	GUIDE PIECE	4931465050	4058546231507
0703 84	1	RETAINING SPRING	4931465051	4058546231514
0704 85	1	RATING PLATE	4931465052	4058546231521
0705 86	1	HOLDING GRIP	4931465053	4058546231538
0706 87	1	HOUSING SET ASSY	4931465054	4058546231545
0707 88	1	DUST BAG	4931465055	4058546231552
0708 89	1	CLAMPING FLANGE	4931465056	4058546231569
0709 90	1	HANDLE SET	Item discontinued(4931465057)	
0710 91	1	HOUSING	4931465058	4058546231583
0711 92	1	YOKE	4931465059	4058546231590
0713 93	1	HANDLE SET	4931506258	4058546555726
0714 94	1	ELECTRONIC	4931511006	4058546636685