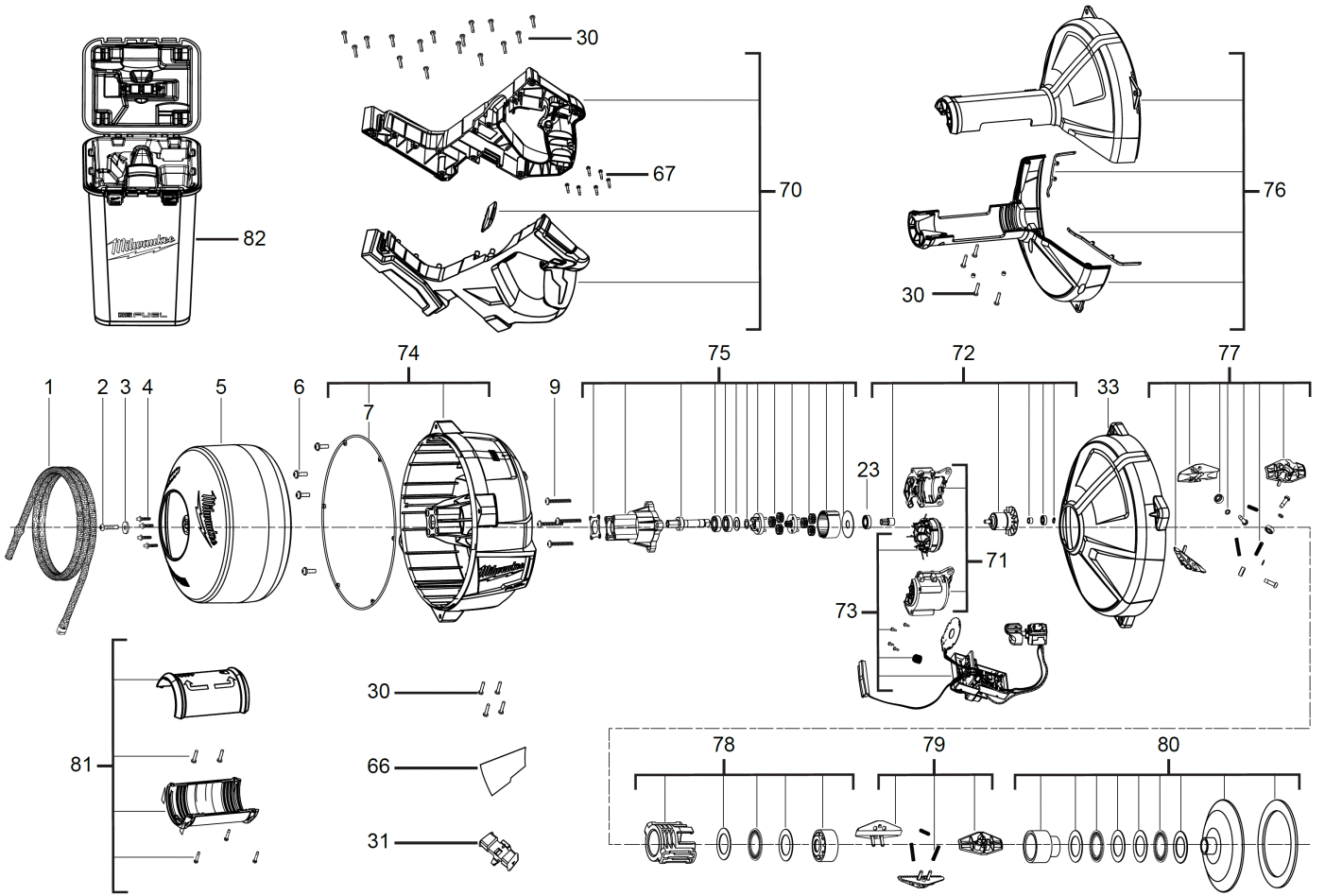


M18FDCPF10-201C BTY. DRAIN CLEANER IN2

4933459685 - M18FDCPF10-201C - 4000474338





Position	Quantity	Description	Part number	EAN
0002 1	1	SCREW	4931453940	4002395280483
0003 2	1	WASHER	4931453941	4002395280490
0004 3	4	SCREW	4931465351	4058546234515
0005 4	1	MOULDED PART	4931465352	4058546234522
0006 5	4	SCREW	4931453939	4002395280476
0007 6	1	SEAL RING	4931465353	4058546234539
0009 7	4	SCREW	4931436564	4002395257614
0023 8	1	BALL BEARING	4931465355	4058546234553
0030 9	24	SCREW	06827261	4058546068967
0031 10	1	INTERLOCK ELEMENT	4931465357	4058546234577
0033 11	1	COVER	4931465358	4058546234584
0066 12	1	RATING PLATE	4931472194	4058546284114
0067 13	6	SCREW	660570005	4002395827329
0070 14	1	HOUSING	4931472191	4058546284084
0071 15	1	MOTOR HOUSING	4931465362	4058546234621
0072 16	1	ARMATURE ASSEMBLY	4931465363	4058546234638
0073 17	1	SWITCH ASSEMBLY	4931472192	4058546284091
0074 18	1	HOUSING	4931465365	4058546234652
0075 19	1	GEAR BOX KIT	4931465366	4058546234669
0076 20	1	COVER ASSY	4931465367	4058546234676
0077 21	1	GUIDE SLEEVE	4931465368	4058546234683
0078 22	1	LOCKING PIECE	4931465369	4058546234690
0079 23	1	LOCK COMPLETE	4931465370	4058546234706
0080 24	1	GUIDE	4931465371	4058546234713
0081 25	1	INTERLOCK SLEAVE	4931465372	4058546234720
0082 26	1	TANK	4931472193	4058546284107
0001 27	1	10mm x 10.6m Inner Core Coupling End	48532675	45242482788