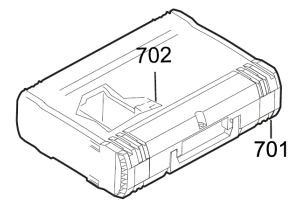
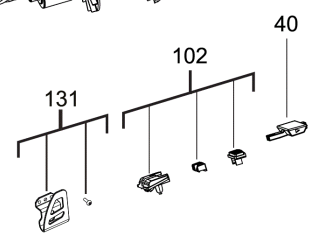
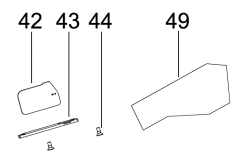
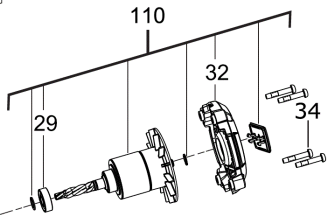
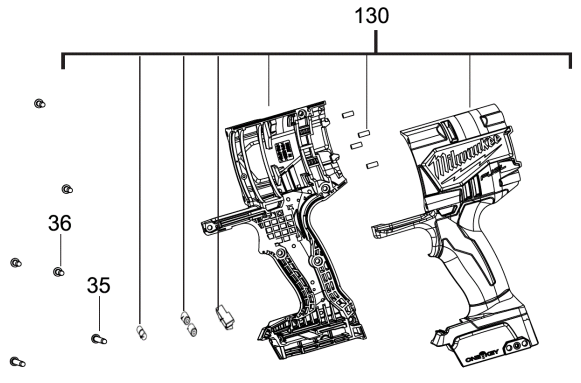
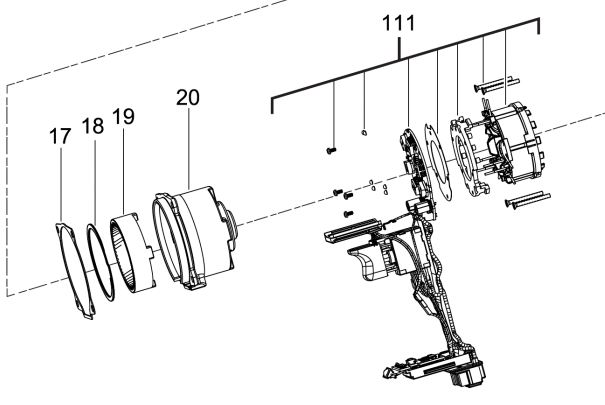
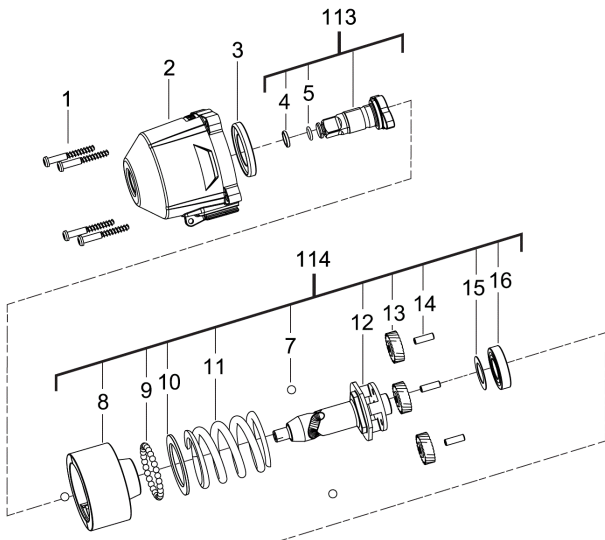


M18ONEFHIWF12-502X IMPACT WRENCH IN2

4933459727 - M18ONEFHIWF12-502X - 4000481667





Position	Quantity	Description	Part number	EAN
0001 1	4	FEED SCREW	4931465519	4058546236199
0002 2	1	GEAR BOX	4931465374	4058546234744
0003 3	1	AXIAL BEAR.WASHER	4931465311	4058546234119
0004 4	1	CIRCLIP	4931416493	4002395898374
0005 5	1	O-RING	4931416492	4002395898367
0007 6	3	BALL	4931436148	4002395880935
0008 7	1	HAMMER	4931465312	4058546234126
0009 8	28	BALL	4931440453	4002395892020
0010 9	1	BEARING WASHER	4931465313	4058546234133
0011 10	1	SPRING	4931465314	4058546234140
0012 11	1	DRIVING SHAFT	4931465315	4058546234157
0013 12	3	PLANETARY DRIVE	4931465316	4058546234164
0014 13	3	PIN	671565004	4002395825028
0015 14	1	BEARING WASHER	4931465317	4058546234171
0016 15	1	BALL BEARING	681340001	4002395824021
0017 16	1	GASKET	4931465381	4058546234812
0018 17	1	HOLDING RING	4931465319	4058546234195
0019 18	1	WORM GEAR WHEEL	4931465320	4058546234201
0020 19	1	GEAR BOX HOUSING	4931465383	4058546234836
0029 20	1	BALL BEARING	4931465322	4058546234225
0032 21	1	BEARING COVER	4931465323	4058546234232
0034 22	4	SCREW	4931465324	4058546234249
0035 23	2	SCREW	4931465325	4058546234256
0036 24	5	SCREW	4931465326	4058546234263
0040 25	1	SWITCH LEVER	4931465328	4058546234287
0042 26	1	CONTACT CASE	4931479742	4058546395056
0043 27	1	COVER	4931465384	4058546234843
0044 28	2	SCREW	4931465385	4058546234850
0049 29	1	RATING PLATE	4931496009	4058546531461
0102 30	1	SWITCH	4931465387	4058546234874
0110 31	1	ROTOR	4931465330	4058546234300
0111 32	1	ELECTRONIC	4931496010	4058546531478
0113 33	1	DRIVING SHAFT	4931465332	4058546234324
0114 34	1	GEAR UNIT	4931465331	4058546234317
0130 35	1	HOUSING	4931506389	4058546557034
0131 36	1	CLAMP	4931436160	4002395880324
0702 37	1	INSERT	4931465336	4058546234362