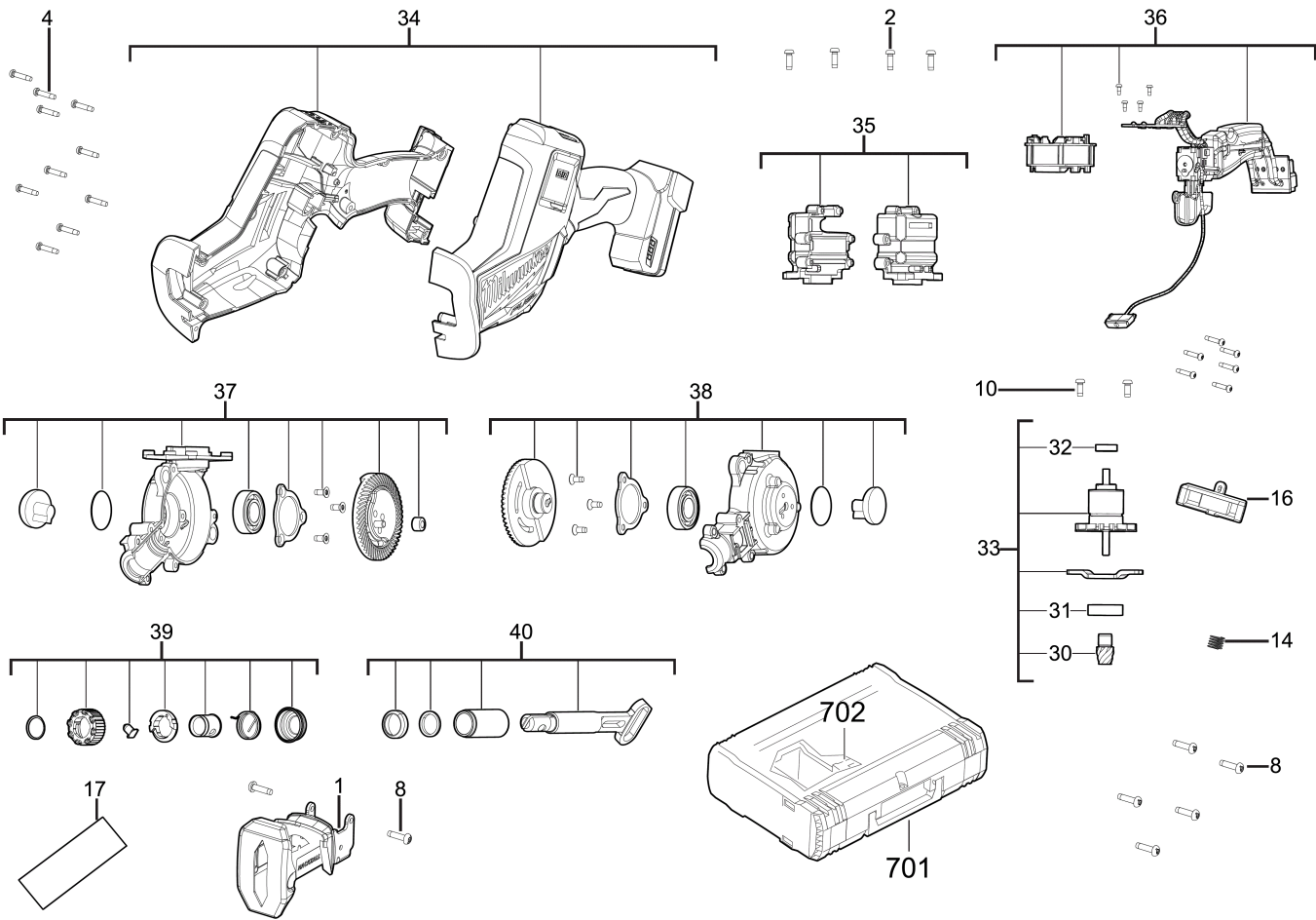


M18FHZ-502X M18 FUEL HACKZALL IN2

4933459885 - M18FHZ-502X - 4000481262





Position	Quantity	Description	Part number	EAN
1	1	PART NOT DEATAILED	1000063920	
0001 2	1	DISTANCE HOLDER	4931465208	4058546233082
0002 3	4	SCREW	660165011	4002395903702
0004 4	10	SCREW	660031017	4002395825189
0008 5	7	SCREW	661113008	4002395830077
0010 6	2	SCREW	660165015	4002395849826
0014 7	1	PRESSURE SPRING	4931408243	4002395814466
0016 8	1	SWITCH LEVER	4931465209	4058546233099
0017 9	1	RATING PLATE	4931480413	4058546424282
0030 10	1	BEVEL GEAR	4931511318	4058546651749
0031 11	1	BALL BEARING	4931465212	4058546233129
0032 12	1	BALL BEARING	681286001	4002395824014
0033 13	1	MOTOR ASSEMBLY	4931480414	4058546424299
0034 14	1	HOUSING	4931465214	4058546233143
0035 15	1	HOUSING SET ASSY	4931465215	4058546233150
0036 16	1	ELECTRONIC SWITCH	4931465216	4058546233167
0037 17	1	GEAR BOX HOUSING	4931480415	4058546424305
0038 18	1	GEAR BOX HOUSING	4931480416	4058546424312
0039 19	1	FIXTEC-SET QUIK-LOK BLADE CLAMP KIT	14461011	4058546069568
0040 20	1	RAM SET	4931465220	4058546233204
0702 21	1	INSERT	4931465221	4058546233211