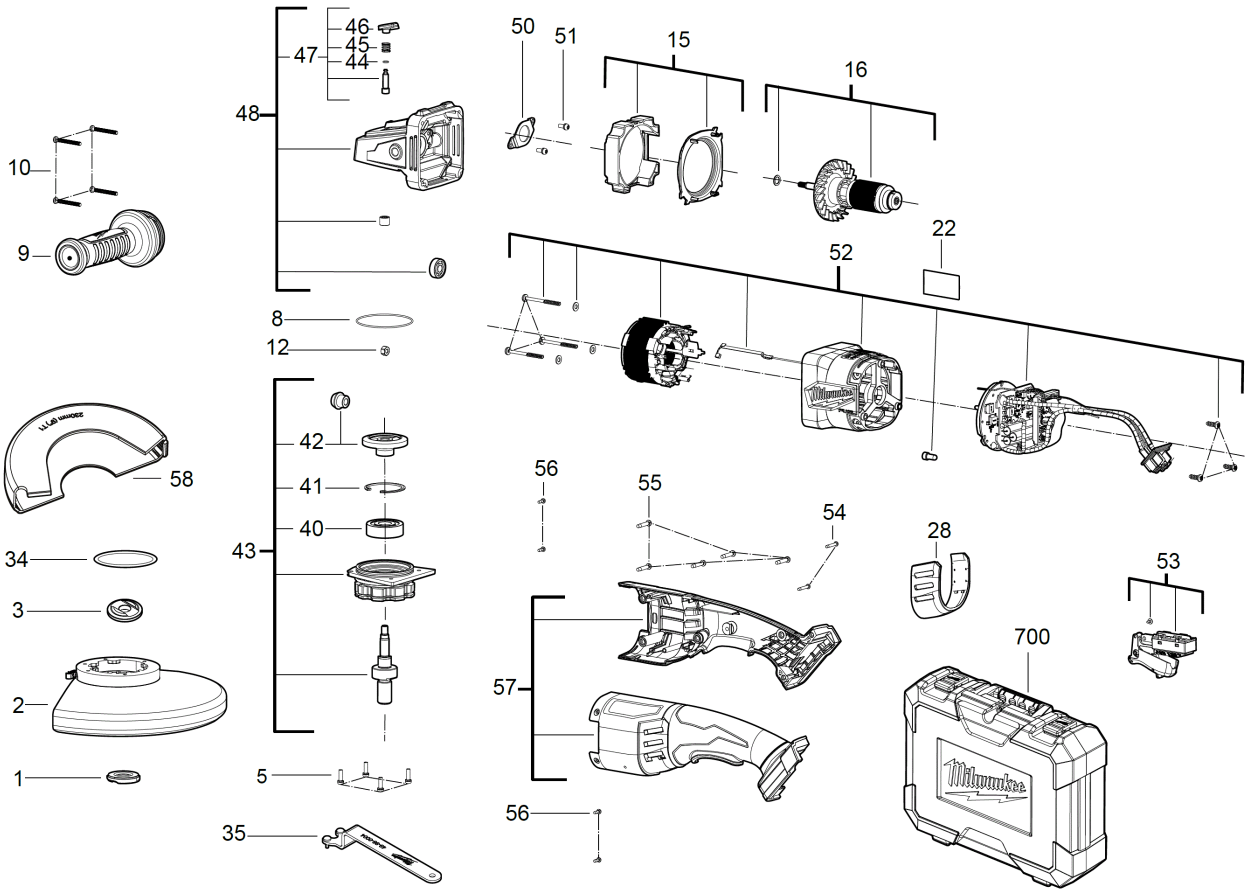


M18FLAG230XPDB-121C ANGLE GRINDER IN2

4933464115 - M18FLAG230XPDB-121C - 4000467890





Position	Quantity	Description	Part number	EAN
0001 1	1	FIXTEC NUT	4931466273	4058546274900
0002 2	1	GUARD	4931465862	4058546239626
0003 3	1	FLANGE	4931465842	4058546239428
0005 4	4	SCREW	4931465843	4058546239435
0008 5	1	O-RING	4931465844	4058546239442
0009 6	1	AUXILIARY HANDLE	4931435002	4002395855919
0010 7	4	SCREW	4931461254	4058546034269
0012 8	1	NUT	671686001	4002395824526
0015 9	1	FRAME	4931465845	4058546239459
0016 10	1	ARMATURE ASSEMBLY	4931465846	4058546239466
0022 11	1	RATING PLATE	4931465863	4058546239633
0028 12	1	DUST FILTER	4931465848	4058546239480
0034 13	1	O-RING	4931465849	4058546239497
0035 14	1	WRENCH	4931466274	4058546274917
0040 15	1	BALL BEARING	4931465850	4058546239503
0041 16	1	CLAMPING RING	4931465851	4058546239510
0042 17	1	BEVEL GEAR PAIR	4931465852	4058546239527
0043 18	1	DRIVE	4931465853	4058546239534
0044 19	1	O-RING	4931435006	4002395855957
0045 20	1	SPRING	4931435005	4002395855940
0046 21	1	TRIGGER	4931435004	4002395855933
0047 22	1	SPINDLE LOCK	4931465854	4058546239541
0048 23	1	GEAR BOX ASSY	4931465855	4058546239558
0050 24	1	RETAINER	4931435039	4002395860364
0051 25	2	SCREW	4931465856	4058546239565
0052 26	1	ELECTRONIC	4931465857	4058546239572
0053 27	1	SWITCH	4931465858	4058546239589
0054 28	2	SCREW	660230017	4002395839742
0055 29	5	SCREW	4931453124	4002395152780
0056 30	4	SCREW	4931431788	4002395895717
0057 31	1	HOUSING	4931465859	4058546239596
0058 32	1	CUTTING GUARD	Item discontinued(4931428099)	
0700 33	1	CARRYING CASE	4931465861	4058546239619