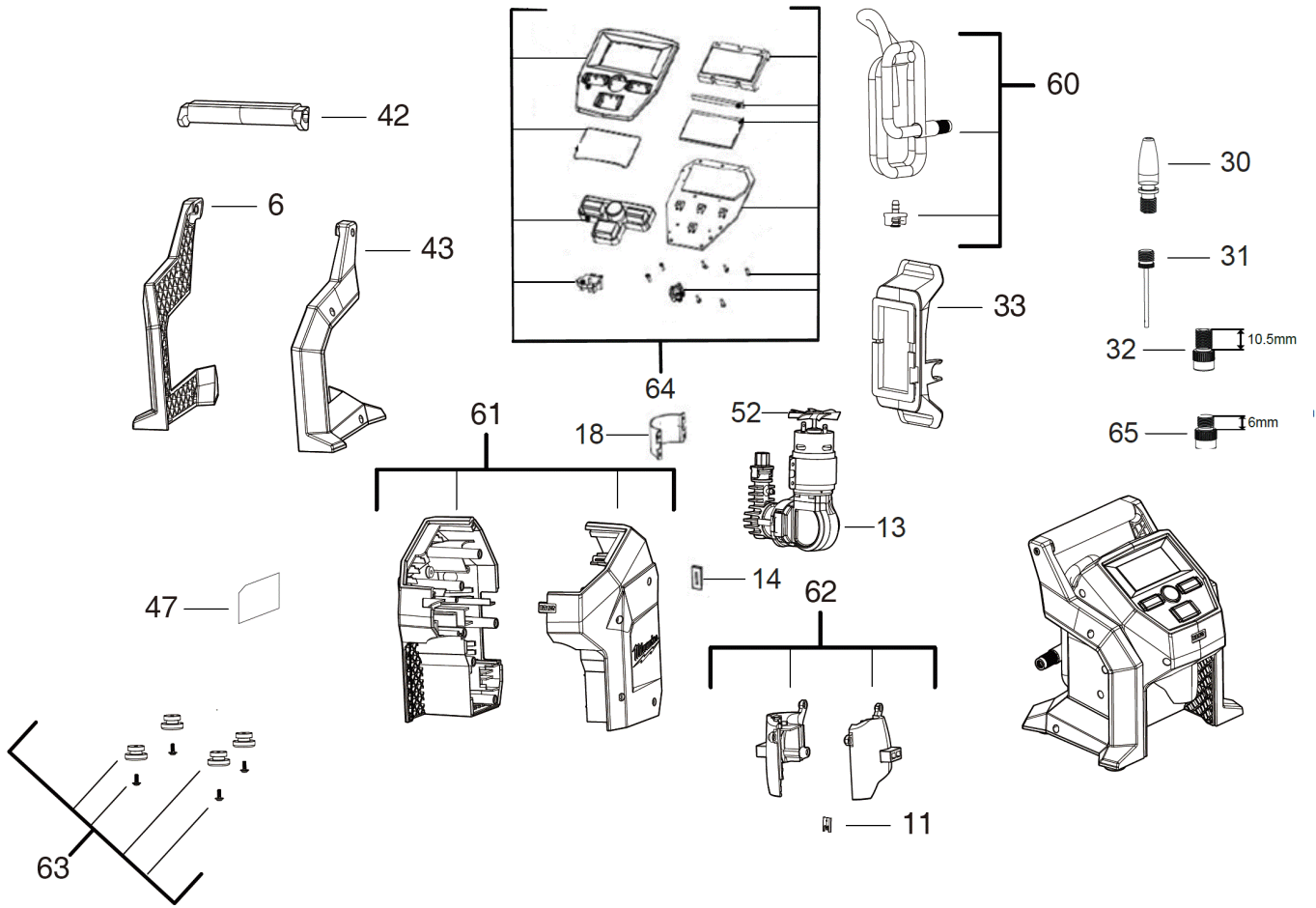


M12BI-0 BRUSHED INFLATOR XXX

4933464124 - M12BI-0 - 4000467479





Position	Quantity	Description	Part number	EAN
0006 1	1	FRAME	4931465569	4058546236694
0011 2	1	CONNECTOR	4931436292	4002395252909
0013 3	1	PUMP	4931511503	4058546653590
0014 4	2	BRACKET	4931511504	4058546653606
0018 5	1	COVER	4931511505	4058546653613
0030 6	1	ADAPTOR	4931465570	4058546236700
0031 7	1	ADAPTOR	4931465571	4058546236717
0032 8	1	ADAPTOR	4931465572	4058546236724
0033 9	1	HOLDER	4931465573	4058546236731
0042 10	1	HANDLE	4931465574	4058546236748
0043 11	1	FRAME	4931465575	4058546236755
0047 12	1	RATING PLATE	4931465580	4058546236809
0052 13	1	FAN	4931511506	4058546653620
0060 14	1	HOSE	4931465576	4058546236762
0061 15	1	HOUSING	4931465577	4058546236779
0062 16	1	BATTERY BOX	4931465578	4058546236786
0063 17	1	RUBBER FOOT	4931465579	4058546236793
0064 18	1	ELECTRONIC	4931511507	4058546653637
0065 19	1	VALVE	4931511220	4058546650766