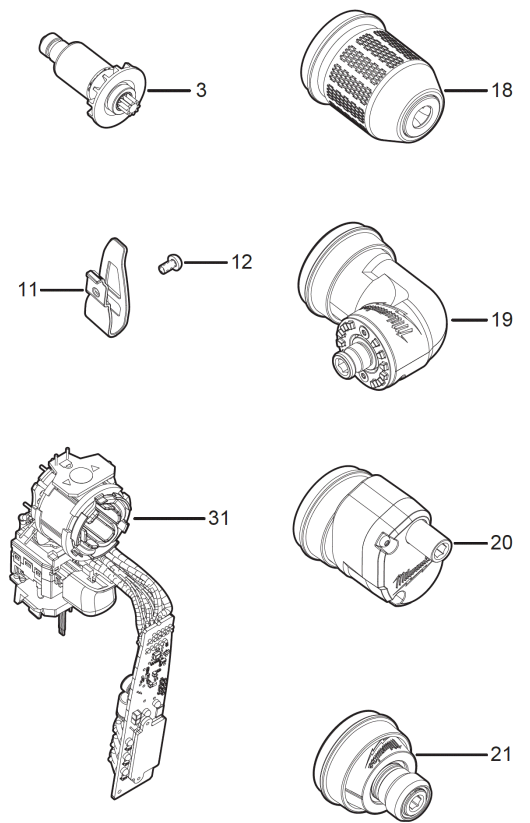
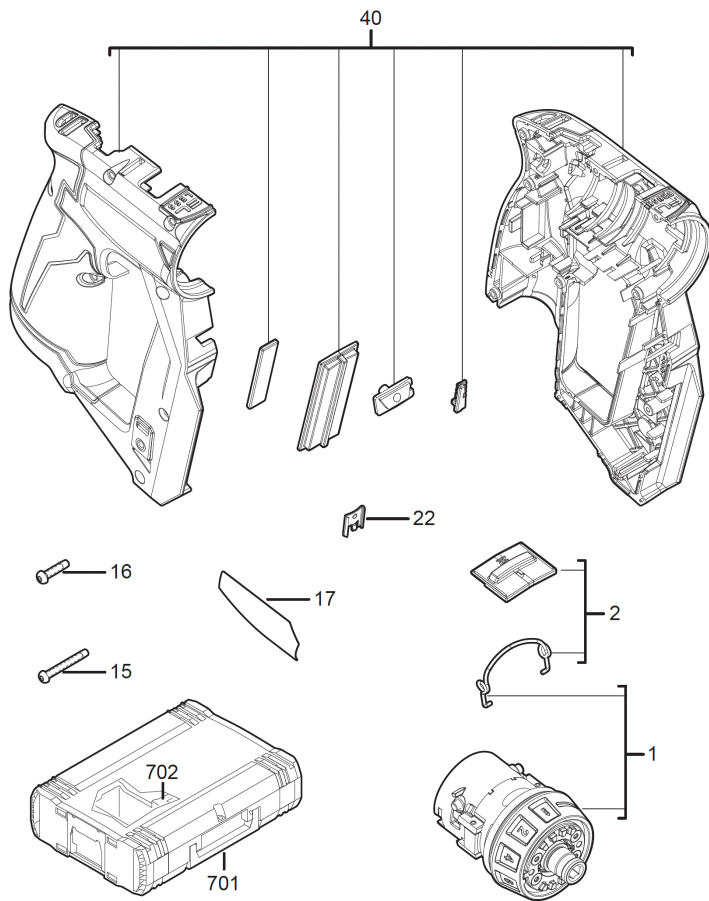


# M12FDDXKIT-202X BTY. DRILL DRIVER IN2

4933464979 - M12FDDXKIT-202X - 4000474430





Position	Quantity	Description	Part number	EAN
0001 1	1	GEAR BOX	4931472338	4058546285555
0002 2	1	SWITCH	4931472339	4058546285562
0003 3	1	ROTOR	4931472340	4058546285579
0011 4	1	STAMP	4931436593	4002395255856
0012 5	1	SCREW	4931465986	4058546272036
0015 6	3	SCREW	4931465898	4058546239985
0016 7	6	SCREW	660570005	4002395827329
0017 8	1	RATING PLATE	4931472341	4058546285586
0018 9	1	QUICK CHANGE CHUCK	4931472342	4058546285593
0019 10	1	ANGLE DRILL HEAD	4931472343	4058546285609
0020 11	1	ANGLE ATTACHMENT	4931472344	4058546285616
0021 12	1	QUICK CHANGE CHUCK	4931472345	4058546285623
0022 13	1	CONNECTOR	4931436292	4002395252909
0031 14	1	ELECTRONIC	4931472346	4058546285630
0040 15	1	HOUSING	4931472347	4058546285647
0702 16	1	INSERT	4931472348	4058546285654