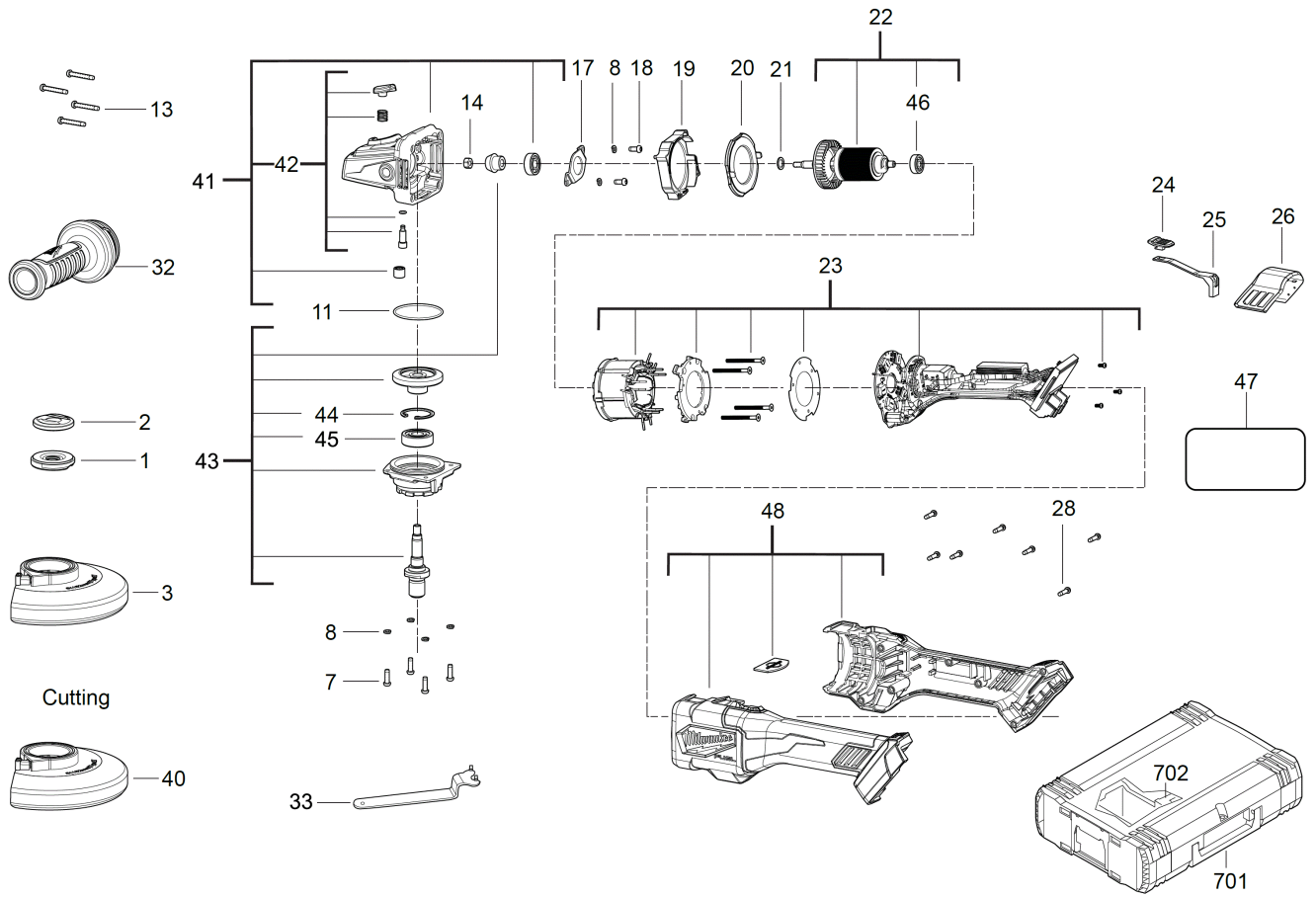


M18FHSAG125XB-0X PERF. BRAK. GRINDER XXX

4933471077 - M18FHSAG125XB-0X - 4000469710





Position	Quantity	Description	Part number	EAN
0001 1	1	FIXTEC NUT	4931466273	4058546274900
0002 2	1	FLANGE	4931466915	4058546281328
0003 3	1	GUARD	4931466914	4058546281311
0007 4	4	SCREW	4931435150	4002395859948
0008 5	6	PROTECTION WASHER	680866003	4002395823895
0011 6	1	O-RING	570699002	4002395824472
0013 7	4	SCREW	4931435023	4002395857302
0014 8	1	NUT	671686001	4002395824526
0017 9	1	BEARING CAGE	672569001	4002395824533
0018 10	2	SCREW	660165015	4002395849826
0019 11	1	AIR DEFLECTOR RING	4931454165	4002395286393
0020 12	1	AIR DEFLECTOR RING	4931436011	4002395875368
0021 13	1	WASHER	Item discontinued(632876001)	
0022 14	1	ROTOR	4931466916	4058546281335
0023 15	1	ELECTRONIC	4931466943	4058546281601
0024 16	1	LOCK COMPLETE	4931466944	4058546281618
0025 17	1	SLIDER	Item discontinued(4931466945)	
0026 18	1	DUST GUARD	4931466918	4058546281359
0028 19	7	SCREW	660031017	4002395825189
0032 20	1	AUXILIARY HANDLE	4931435002	4002395855919
0033 21	1	WRENCH	4931466910	4058546281274
0040 22	1	GUARD CAP	4931452115	4002395180929
0041 23	1	GEAR BOX	4931466921	4058546281380
0042 24	1	SPINDLE LOCK	4931466922	4058546281397
0043 25	1	SPINDLE KIT	4931466923	4058546281403
0044 26	1	HOLDING RING	4931435476	4002395891658
0045 27	1	BALL BEARING	4931466315	4058546275327
0046 28	1	BALL BEARING	4931466924	4058546281410
0047 29	1	RATING PLATE	4931466946	4058546281632
0048 30	1	HOUSING	4931466948	4058546281656
0702 31	1	INSERT	4931466928	4058546281458