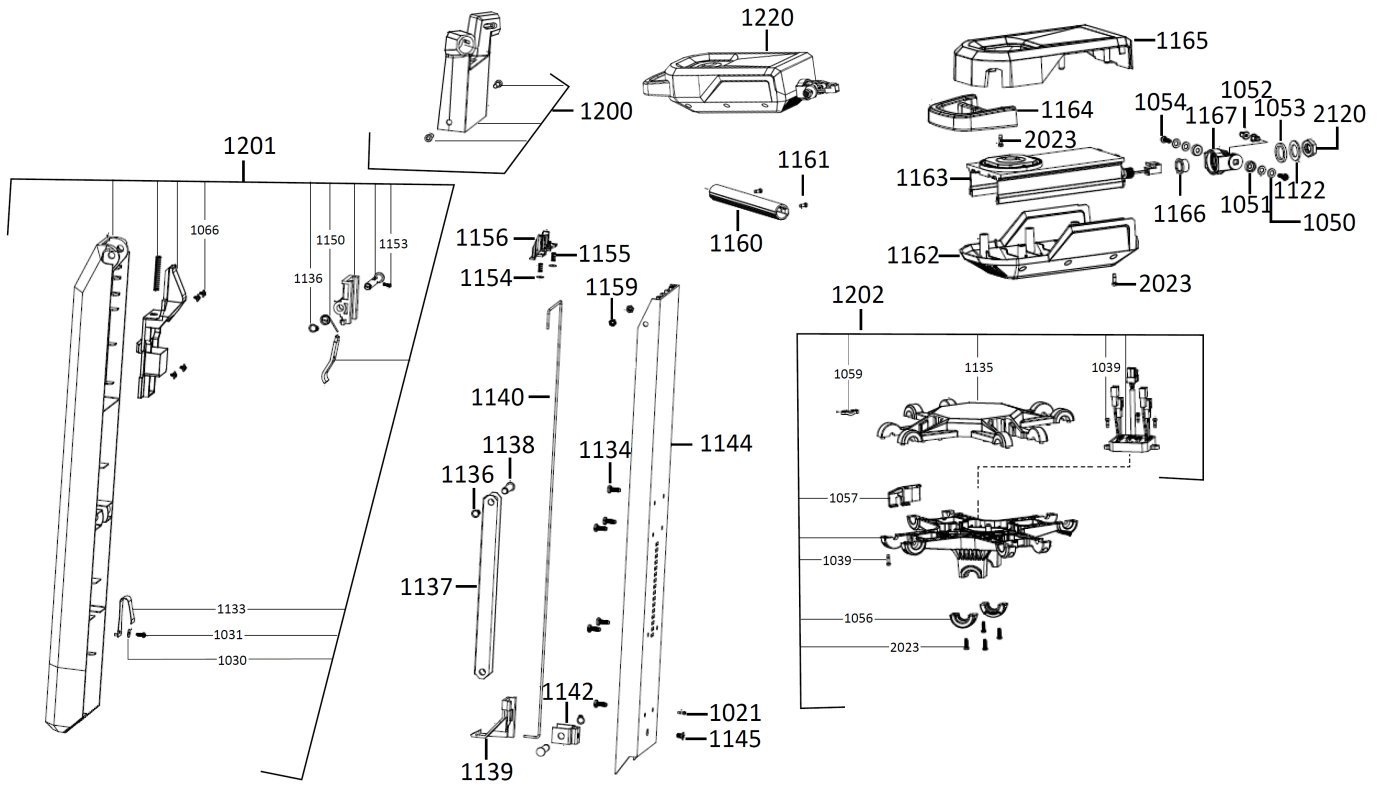
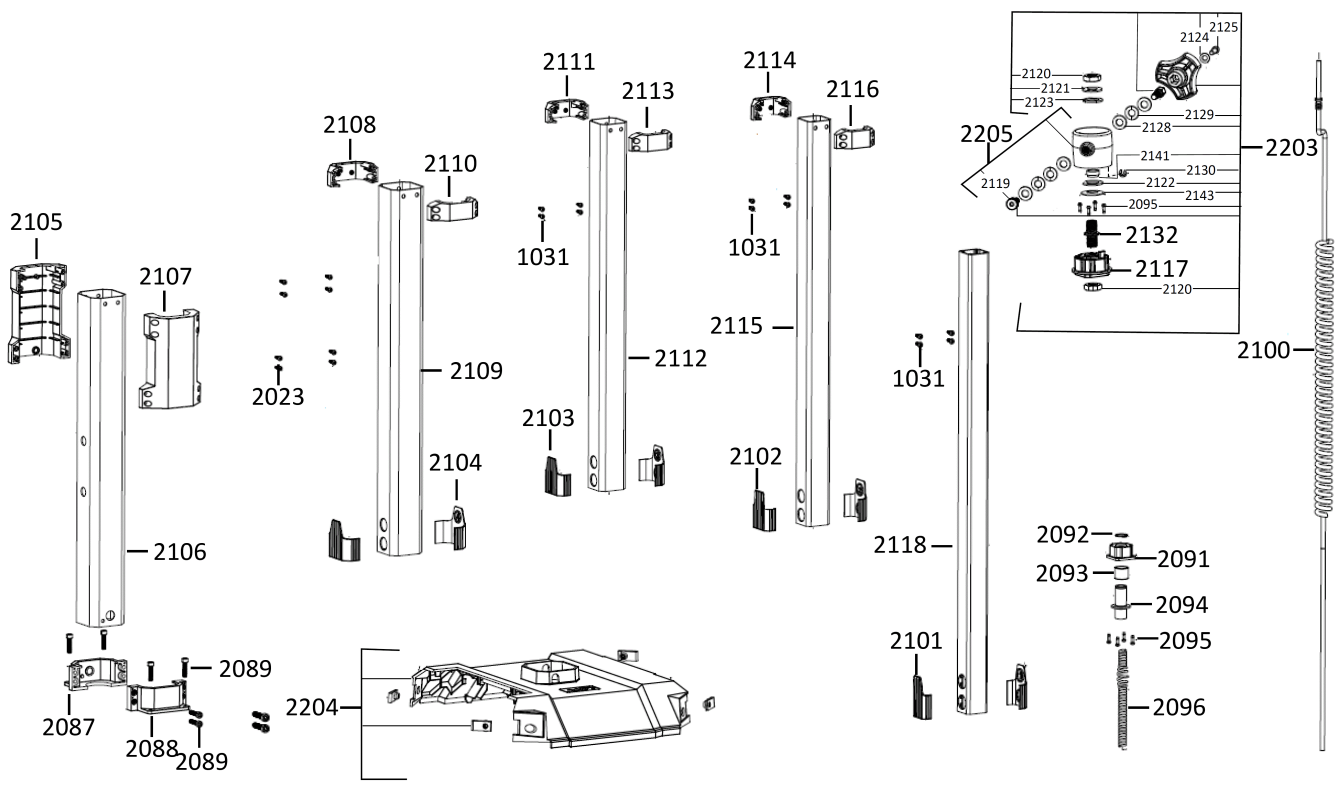


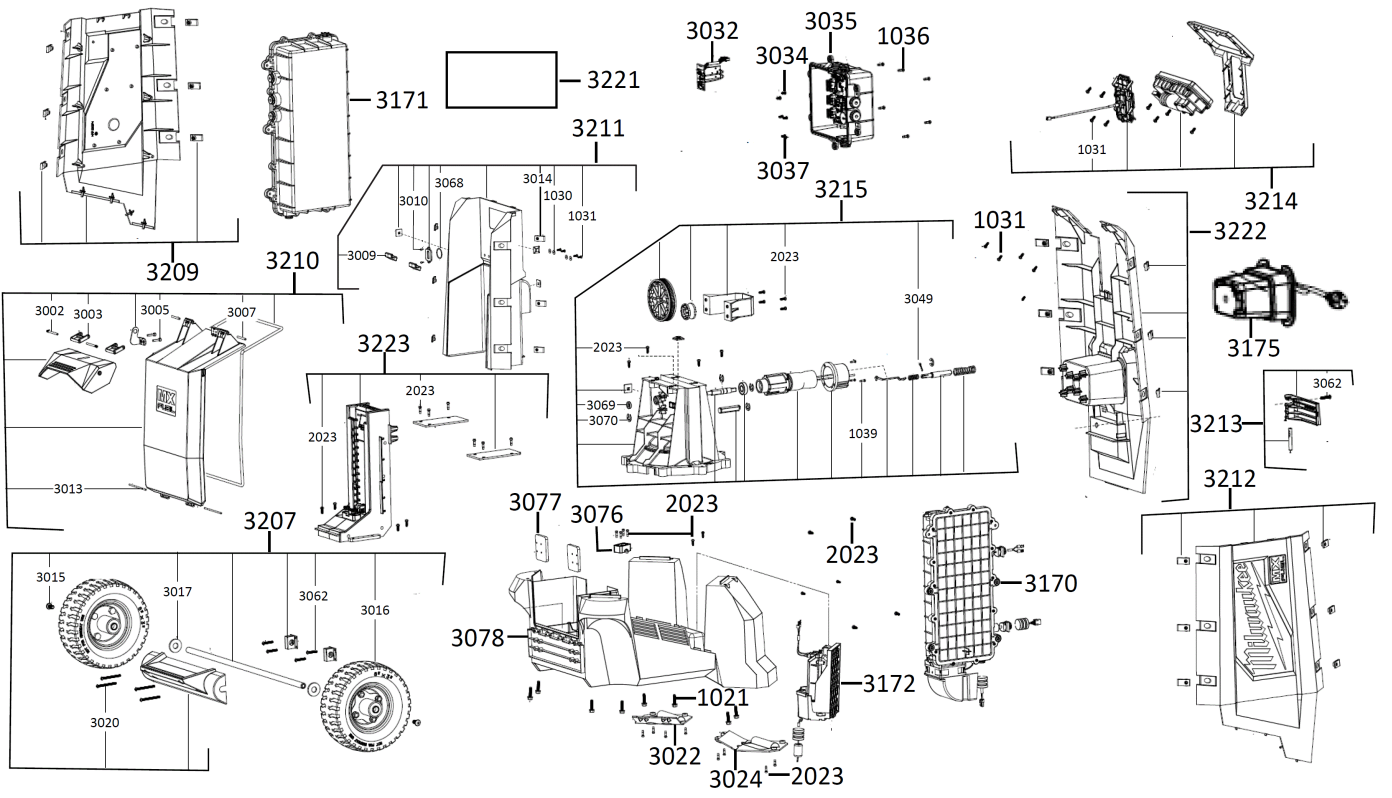
MXFTL-601 Stand Area Light KIT IN2

4933471844 - MXFTL-601 - 4000474766









Position	Quantity	Description	Part number	EAN
1021 1	10	SCREW	4931480108	4058546421236
1030 2	5	WASHER	4931480109	4058546421243
1031 3	32	SCREW	4931480110	4058546421250
1036 4	6	SCREW	4931480111	4058546421267
1039 5	34	SCREW	4931480112	4058546421274
1050 6	4	WASHER	4931480113	4058546421281
1051 7	2	WASHER	4931480114	4058546421298
1052 8	2	GUIDE NUT	4931480115	4058546421304
1053 9	1	RUBBER RING	4931480116	4058546421311
1054 10	2	SCREW	4931480117	4058546421328
1056 11	2	HOLDER	4931480118	4058546421335
1057 12	4	CAP	4931480119	4058546421342
1059 13	1	STRAINING SCREW	4931506239	4058546555535
1066 14	4	SCREW	4931480120	4058546421359
1133 15	1	SPRING	4931480121	4058546421366
1134 16	6	SCREW	4931480122	4058546421373
1135 17	1	COVER	4931480123	4058546421380
1136 18	3	RETAINING RING	4931480124	4058546421397
1137 19	1	CONNECTOR	4931480125	4058546421403
1138 20	2	PIN	4931480126	4058546421410
1139 21	1	LATCH	4931480127	4058546421427
1140 22	1	ROD	4931480128	4058546421434
1142 23	1	BRACKET	4931480129	4058546421441
1144 24	1	GUIDE RAIL	4931480130	4058546421458
1145 25	1	SCREW	4931480131	4058546421465
1150 26	1	SPRING	4931480132	4058546421472
1153 27	1	SCREW	4931480133	4058546421489
1154 28	2	WASHER	4931480134	4058546421496
1155 29	2	SPRING	4931480135	4058546421502
1156 30	1	TRIGGER	4931480136	4058546421519
1159 31	2	NUT	4931480137	4058546421526
1160 32	1	TUBE	4931480138	4058546421533
1161 33	2	SCREW	4931480139	4058546421540
1162 34	1	HOUSING	4931480140	4058546421557
1163 35	1	ACCEPTANCE	4931480141	4058546421564
1164 36	1	GRIP	4931480142	4058546421571
1165 37	1	HOUSING	4931480143	4058546421588
1166 38	1	WASHER	4931480144	4058546421595
1167 39	1	HINGE PIECE	4931480145	4058546421601
1200 40	1	SERVICE-KIT	4931480146	4058546421618
1201 41	1	SERVICE-KIT	4931480147	4058546421625
1202 42	1	SERVICE-KIT	4931480148	4058546421632
1220 43	4	HOUSING	4931480149	4058546421649
2023 44	65	SCREW	4931480150	4058546421656
2087 45	1	HOLDING BRACKET	4931480151	4058546421663
2088 46	1	HOLDING BRACKET	4931480152	4058546421670
2089 47	8	SCREW	4931480153	4058546421687
2091 48	1	SLEEVE	4931480154	4058546421694
2092 49	1	RETAINING RING	4931480155	4058546421700
2093 50	1	SLIDE BEARING	4931480156	4058546421717

Position	Quantity	Description	Part number	EAN
2094 51	1	CONNECTION	4931480157	4058546421724
2095 52	8	SCREW	4931480158	4058546421731
2096 53	1	SEWER KABEL	4931480159	4058546421748
2100 54	1	CABLE	4931480160	4058546421755
2101 55	2	GUIDE SLEEVE	4931480161	4058546421762
2102 56	2	GUIDE SLEEVE	4931480162	4058546421779
2103 57	2	GUIDE SLEEVE	4931480163	4058546421786
2104 58	2	GUIDE SLEEVE	4931480164	4058546421793
2105 59	1	COLLAR	4931480165	4058546421809
2106 60	1	ROD	4931480166	4058546421816
2107 61	1	COLLAR	4931480167	4058546421823
2108 62	1	HOLDING BRACKET	4931480168	4058546421830
2109 63	1	ROD	4931480169	4058546421847
2110 64	1	HOLDING BRACKET	4931480170	4058546421854
2111 65	1	HOLDING BRACKET	4931480171	4058546421861
2112 66	1	ROD	4931480172	4058546421878
2113 67	1	HOLDING BRACKET	4931480173	4058546421885
2114 68	1	HOLDING BRACKET	4931480174	4058546421892
2115 69	1	ROD	4931480175	4058546421908
2116 70	1	HOLDING BRACKET	4931480176	4058546421915
2117 71	1	CAP	4931480177	4058546421922
2118 72	1	ROD	4931480178	4058546421939
2119 73	1	SCREW	4931480179	4058546421946
2120 74	3	NUT	4931480180	4058546421953
2121 75	1	WASHER	4931480181	4058546421960
2122 76	1	WASHER	4931480182	4058546421977
2123 77	1	WASHER	4931480183	4058546421984
2124 78	1	WASHER	4931480184	4058546421991
2125 79	1	SCREW	4931480185	4058546422004
2128 80	4	WASHER	4931480186	4058546422011
2129 81	3	WASHER	4931480187	4058546422028
2130 82	1	RETAINER	4931480188	4058546422035
2132 83	1	BOLT	4931480189	4058546422042
2141 84	1	WASHER	4931480190	4058546422059
2143 85	1	WASHER	4931480191	4058546422066
2203 86	1	LINK	4931480192	4058546422073
2204 87	1	SERVICE-KIT	4931480193	4058546422080
2205 88	1	GUIDE SLEEVE	4931480194	4058546422097
3002 89	2	THREADED BOLT	4931480195	4058546422103
3003 90	2	JOINT PIECE	4931480196	4058546422110
3005 91	2	SCREW	4931480197	4058546422127
3007 92	2	THREADED BOLT	4931480198	4058546422134
3009 93	2	CLIP	4931508191	4058546628536
3010 94	2	SCREW	4931480199	4058546422141
3013 95	2	THREADED BOLT	4931480200	4058546422158
3014 96	6	CLIP	4931508192	4058546628543
3015 97	2	SCREW	4931480201	4058546422165
3016 98	2	WHEEL	4931480202	4058546422172
3017 99	2	WASHER	4931480203	4058546422189
3020 100	4	SCREW	4931480204	4058546422196

Position	Quantity	Description	Part number	EAN
3022 101	1	HANDLE LEFT	4931480205	4058546422202
3024 102	1	HANDLE RIGHT	4931480206	4058546422219
3032 103	1	ELECTRIC ELEMENT	4931480207	4058546422226
3034 104	2	SCREW	4931480208	4058546422233
3035 105	1	TERMINAL STRIP	4931480209	4058546422240
3037 106	3	SCREW	4931480210	4058546422257
3049 107	1	PIN	4931480211	4058546422264
3062 108	5	SCREW	4931480212	4058546422271
3068 109	1	O-RING	4931480213	4058546422288
3069 110	1	BALL BEARING	4931480214	4058546422295
3070 111	5	SNAP RING	4931480215	4058546422301
3076 112	1	CLAMP	4931480216	4058546422318
3077 113	1	HOLDING PLATE	4931480217	4058546422325
3078 114	1	HOUSING BOTTOM	4931480218	4058546422332
3170 115	1	CHARGER	4931480219	4058546422349
3171 116	1	ELECTRONIC	4931480220	4058546422356
3172 117	1	ELECTRONIC	4931480221	4058546422363
3175 118	1	POWER CORD	4931480222	4058546422370
3207 119	1	SERVICE-KIT	4931480223	4058546422387
3209 120	1	SERVICE-KIT	4931480224	4058546422394
3210 121	1	SERVICE-KIT	4931480225	4058546422400
3211 122	1	SERVICE-KIT	4931480226	4058546422417
3212 123	1	SERVICE-KIT	4931480227	4058546422424
3213 124	1	SERVICE-KIT	4931480228	4058546422431
3214 125	1	SERVICE-KIT	4931480229	4058546422448
3215 126	1	SERVICE-KIT	4931480230	4058546422455
3221 127	1	RATING PLATE	4931480231	4058546422462
3222 128	1	SERVICE-KIT	4931480232	4058546422479
3223 129	1	SERVICE-KIT	4931480233	4058546422486