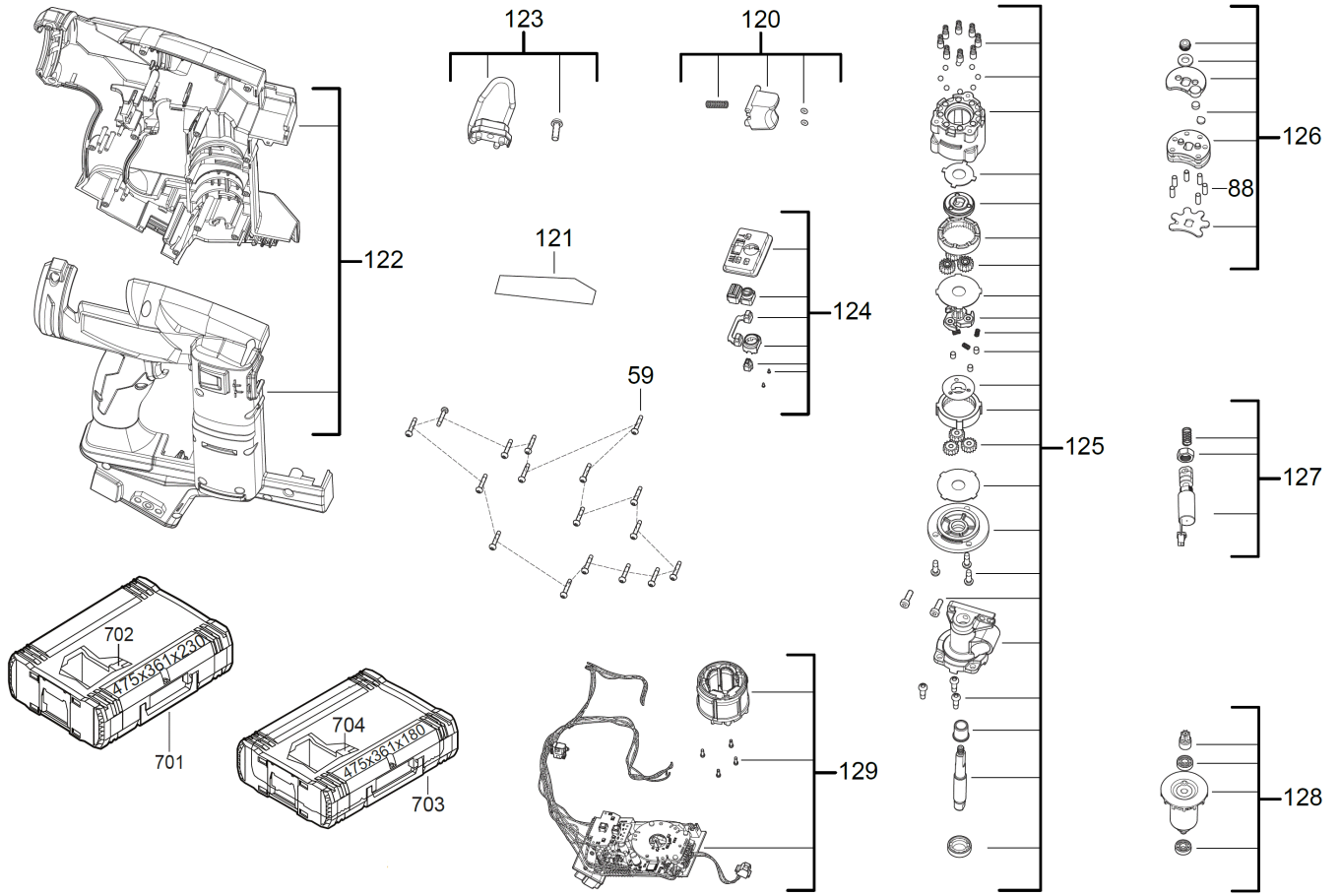
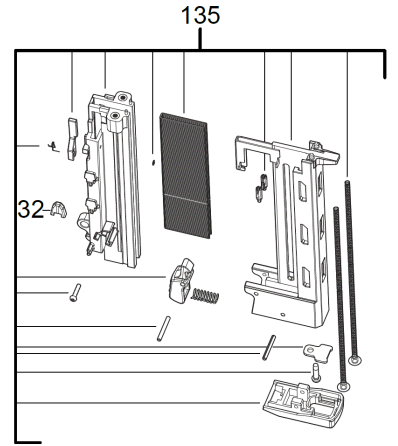
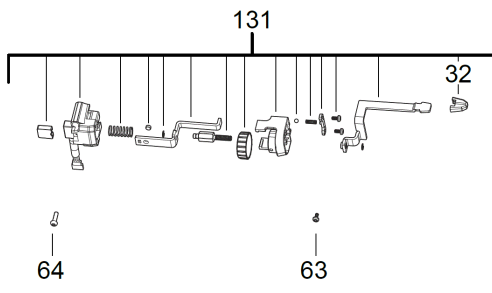
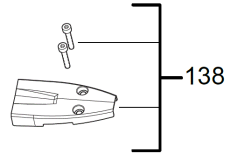
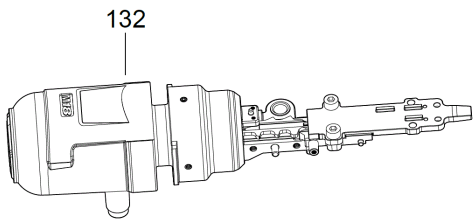
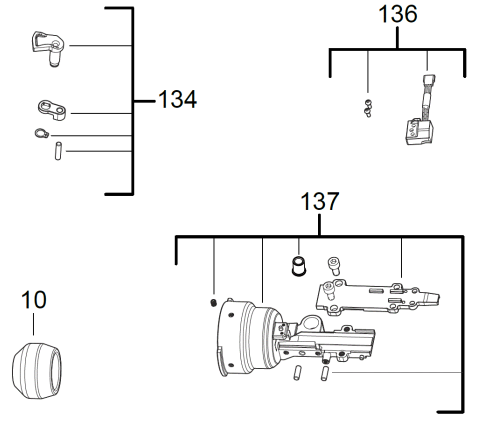
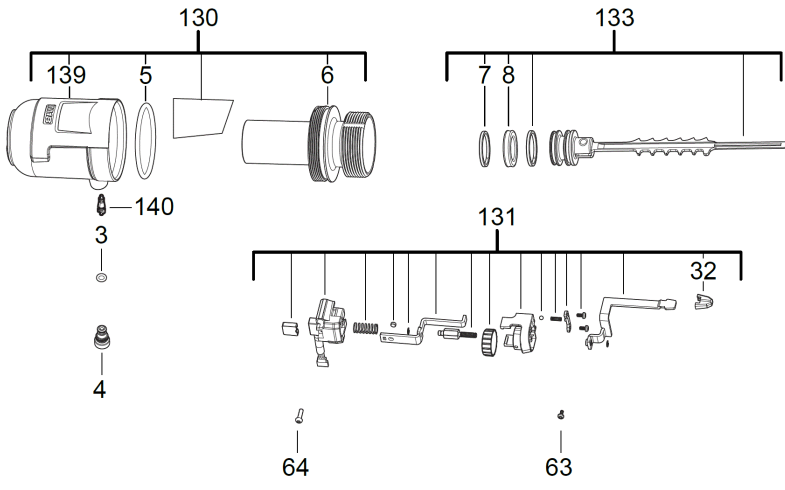


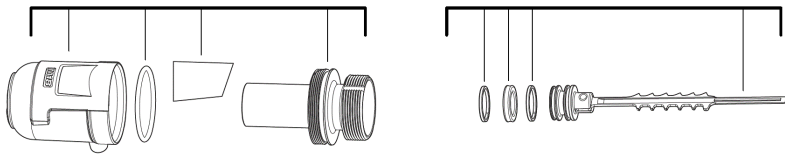
# M18FNCS18GS-0X NARROW CROWN STAPLER XXX

4933471942 - M18FNCS18GS-0X - 4000503616









3

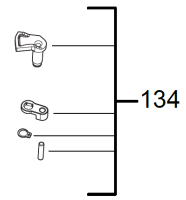
4

131

32

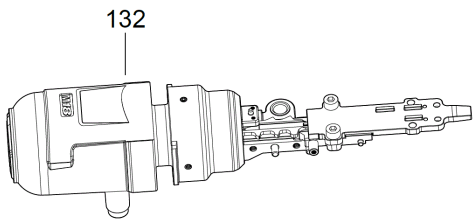
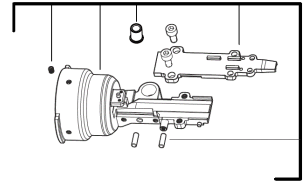
64

63

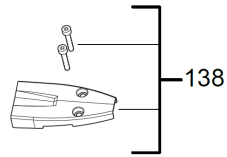


134

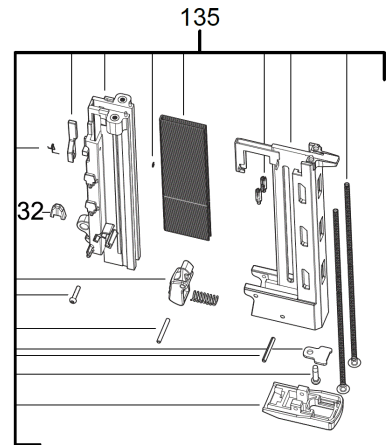
136



132



138



135

32

Position	Quantity	Description	Part number	EAN
0003 1	1	O-RING	4931472315	4058546285326
0004 2	1	PLUG	4931472316	4058546285333
0032 3	1	HOLDING BRACKET	4931473105	4058546334079
0059 4	17	SCREW	4931453227	4002395153206
0063 5	1	SCREW	4931473106	4058546334086
0064 6	1	SCREW	660380006	4002395849857
0088 7	6	PIN	4931473107	4058546334093
0120 8	1	TRIGGER	4931473108	4058546334109
0121 9	1	RATING PLATE	4931507625	4058546601362
0122 10	1	HANDLE SET	4931473110	4058546334123
0123 11	1	HOOK	4931472321	4058546285388
0124 12	1	SWITCH BOARD	4931472322	4058546285395
0125 13	1	GEAR BOX KIT	4931473111	4058546334130
0126 14	1	ASSEMBLY KIT	4931473112	4058546334147
0127 15	1	VALVE	4931473113	4058546334154
0128 16	1	ROTOR	4931473114	4058546334161
0129 17	1	ELECTRONIC	4931507626	4058546601379
0131 18	1	ASSEMBLY KIT	4931473117	4058546334192
0132 19	1	TANK	4931507628	4058546601393
0134 20	1	LOCKING PART	4931473120	4058546334222
0135 21	1	MAGAZINE	4931473121	4058546334239
0136 22	1	PRESSURE SENSOR	4931473122	4058546334246
0138 23	1	END COVER CAP	4931473124	4058546334260
0701 24	1	HD Box 3 - 1pc	4932453386	4002395143634
0702 25	1	INSERT	4931473125	4058546334277
0704 26	1	INSERT	4931507272	4058546597832