

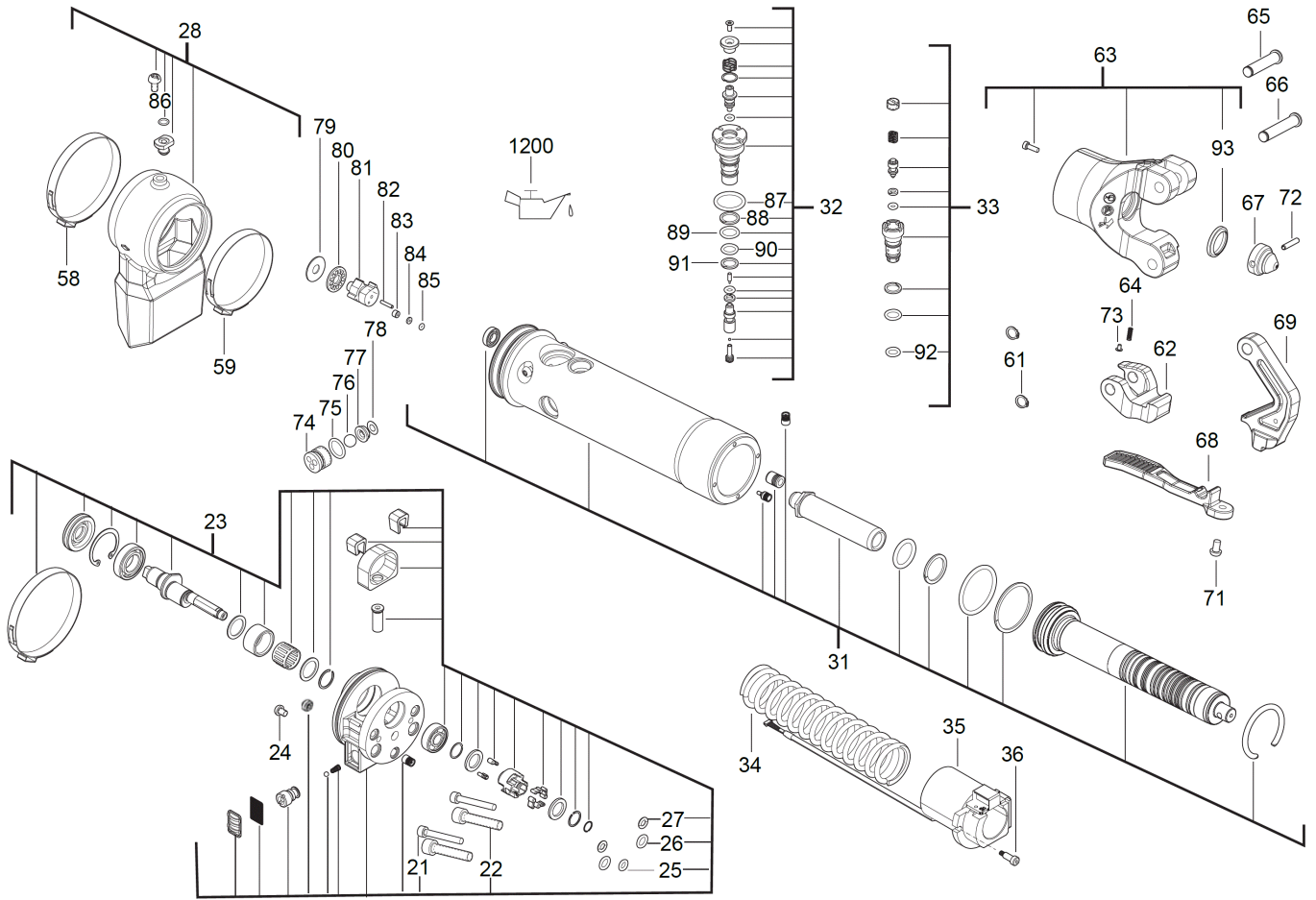
# M18HDCT-202C HYDR.DIELESS CRIMP.TOOL IN2

4933471950 - M18HDCT-202C - 4000510130









Position	Quantity	Description	Part number	EAN
0061 1	2	SPRING RING	4931461278	4058546034504
0062 2	1	LATCH	4931473037	4058546333393
0064 3	1	SPRING	4931473039	4058546333416
0065 4	1	PIN	4931473040	4058546333423
0066 5	1	PIN	4931473041	4058546333430
0067 6	1	PRESS JAWS	4931473042	4058546333447
0068 7	1	LEVER	4931473043	4058546333454
0069 8	1	PRESS PART	4931473044	4058546333461
0071 9	1	SCREW	4931473045	4058546333478
0072 10	1	PIN	4931473046	4058546333485
0073 11	1	PIN	4931473047	4058546333492
0093 12	1	SEAL RING	4931473066	4058546333683
0700 13	1	CARRYING CASE	4931473067	4058546333690