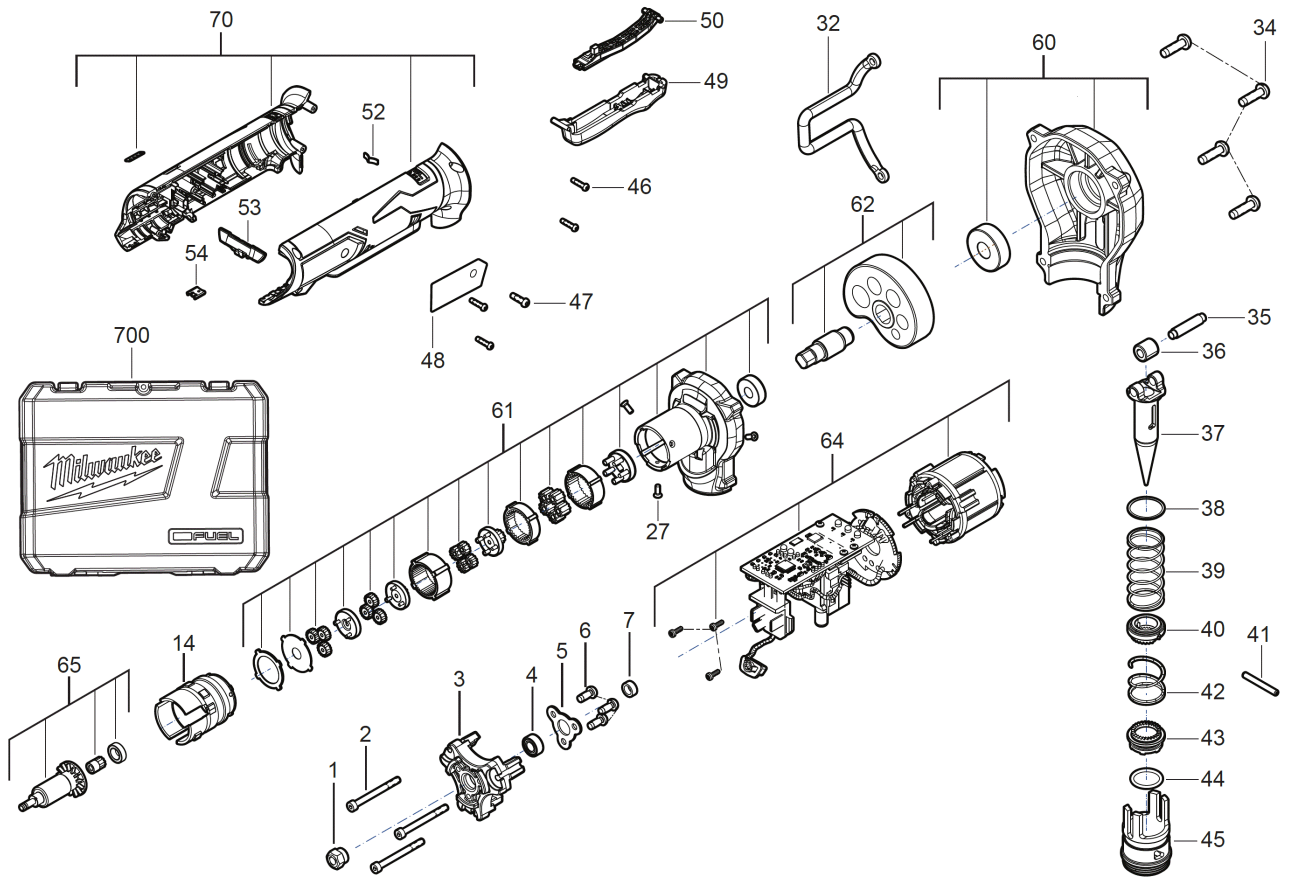


M12FPXP-I10202C PEX EXPAND 10BAR KIT IN2

4933472020 - M12FPXP-I10202X - 4000474906





Position	Quantity	Description	Part number	EAN
0001 1	1	NUT	4931465284	4058546233846
0002 2	3	SCREW	4931465283	4058546233839
0003 3	1	MOTOR PLATE	4931465282	4058546233822
0004 4	1	BALL BEARING	4931479305	4058546386207
0005 5	1	BEARING END PLATE	4931465280	4058546233808
0006 6	3	SCREW	4931465279	4058546233792
0007 7	1	BUSH	4931465278	4058546233785
0014 8	1	MOTOR HOUSING	4931479306	4058546386214
0027 9	3	SCREW	4931435259	4002395897469
0032 10	1	CLAMP	632317002	4002395846610
0034 11	4	SCREW	661113008	4002395830077
0035 12	1	BOLT	4931441173	4002395867226
0036 13	1	ROLL	692341002	4002395846689
0037 14	1	SPINDLE	4931479307	4058546386221
0038 15	1	WASHER	4931466760	4058546279776
0039 16	1	SPRING	4931479308	4058546386238
0040 17	1	SET COLLAR	4931479309	4058546386245
0041 18	1	PIN	4931479310	4058546386252
0042 19	1	SPRING	692471001	4002395847013
0043 20	1	COLLAR	611045001	4002395846603
0044 21	1	O-RING	562464001	4002395846986
0045 22	1	SLEEVE	4931479311	4058546386269
0046 23	4	SCREW	4931465499	4058546235994
0047 24	1	SCREW	4931465326	4058546234263
0048 25	1	RATING PLATE	4931479312	4058546386276
0049 26	1	TRIGGER	4931479313	4058546386283
0050 27	1	LEVER	4931479314	4058546386290
0052 28	1	SPRING PLATE	4931452341	4002395172528
0053 29	1	LEVER	4931479315	4058546386306
0054 30	1	CONNECTOR	4931436292	4002395252909
0060 31	1	COVER	4931479316	4058546386313
0061 32	1	GEAR KIT	4931479317	4058546386320
0062 33	1	CAM	4931479318	4058546386337
0064 34	1	ELECTRONIC	4931479319	4058546386344
0065 35	1	ROTOR	4931479320	4058546386351
0070 36	1	HOUSING SET ASSY	4931479321	4058546386368
0700 37	1	CARRYING CASE	4931479322	4058546386375