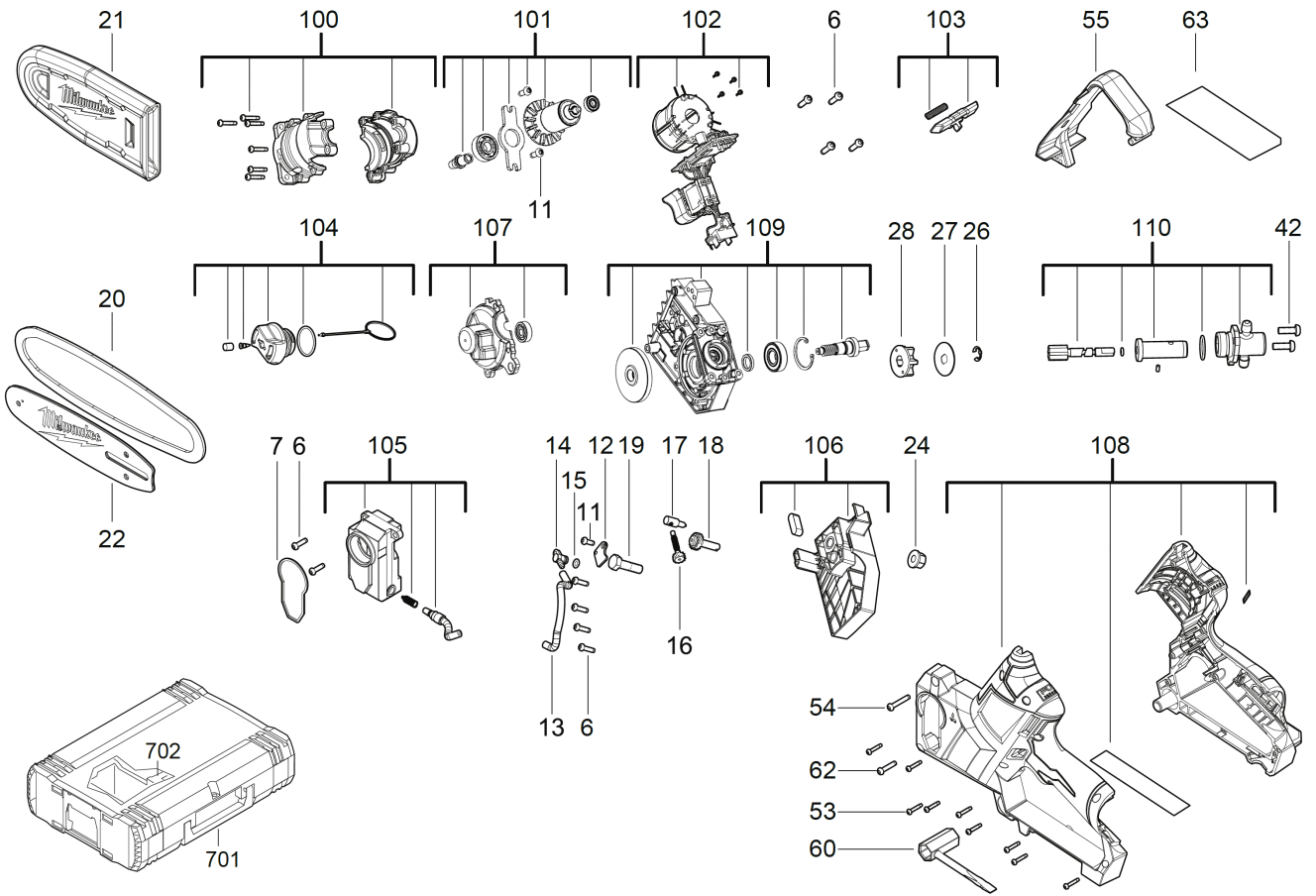


# M12FHS-602X FUEL HATCHET PRUNING SAW IN2

4933472212 - M12FHS-602X - 4000497605





Position	Quantity	Description	Part number	EAN
0006 1	10	SCREW	4931435150	4002395859948
0007 2	1	GASKET	4931473731	4058546356071
0011 3	3	SCREW	660165015	4002395849826
0012 4	1	BRACKET	4931473733	4058546356095
0013 5	1	HOSE	4931473734	4058546356101
0014 6	1	CONNECTOR	4931473735	4058546356118
0015 7	1	O-RING	4931473736	4058546356125
0016 8	1	GEAR	4931473737	4058546356132
0017 9	1	SCREW	4931465947	4058546240479
0018 10	1	SCREW	4931465949	4058546240493
0019 11	1	SCREW	4931466697	4058546279141
0020 12	1	Sawchain 3/8x152x1.1 P1	4932478427	4058546346188
0021 13	1	GUARD	4931473738	4058546356149
0022 14	1	CHAINSAW SWORD	4932480168	4058546404536
0024 15	1	NUT	4931465951	4058546240516
0026 16	1	SLEEVE	4931436401	4002395250295
0027 17	1	WASHER	4931465946	4058546240462
0028 18	1	SPROCKET	4931512114	4058546659707
0042 19	2	SCREW	4931431788	4002395895717
0053 20	9	SCREW	4931465499	4058546235994
0054 21	1	SCREW	4931473740	4058546356163
0055 22	1	GUARD	4931473741	4058546356170
0060 23	1	WRENCH	4931465931	4058546240318
0062 24	1	SCREW	4931435661	4002395863655
0063 25	1	RATING PLATE	4931496347	4058546534844
0100 26	1	MOTOR HOUSING	4931473743	4058546356194
0101 27	1	ROTOR	4931496348	4058546534851
0102 28	1	ELECTRONIC	4931473745	4058546356217
0103 29	1	SLIDER	4931473746	4058546356224
0104 30	1	COVER CAP	4931473747	4058546356231
0105 31	1	TANK	4931473748	4058546356248
0106 32	1	COVER	4931473749	4058546356255
0107 33	1	GEAR BOX COVER	4931496349	4058546534868
0108 34	1	HOUSING	4931473751	4058546356279
0109 35	1	GEAR BOX ASSY	4931496350	4058546534875
0110 36	1	OIL PUMP	4931473753	4058546356293
0702 37	1	INSERT	4931473754	4058546356309