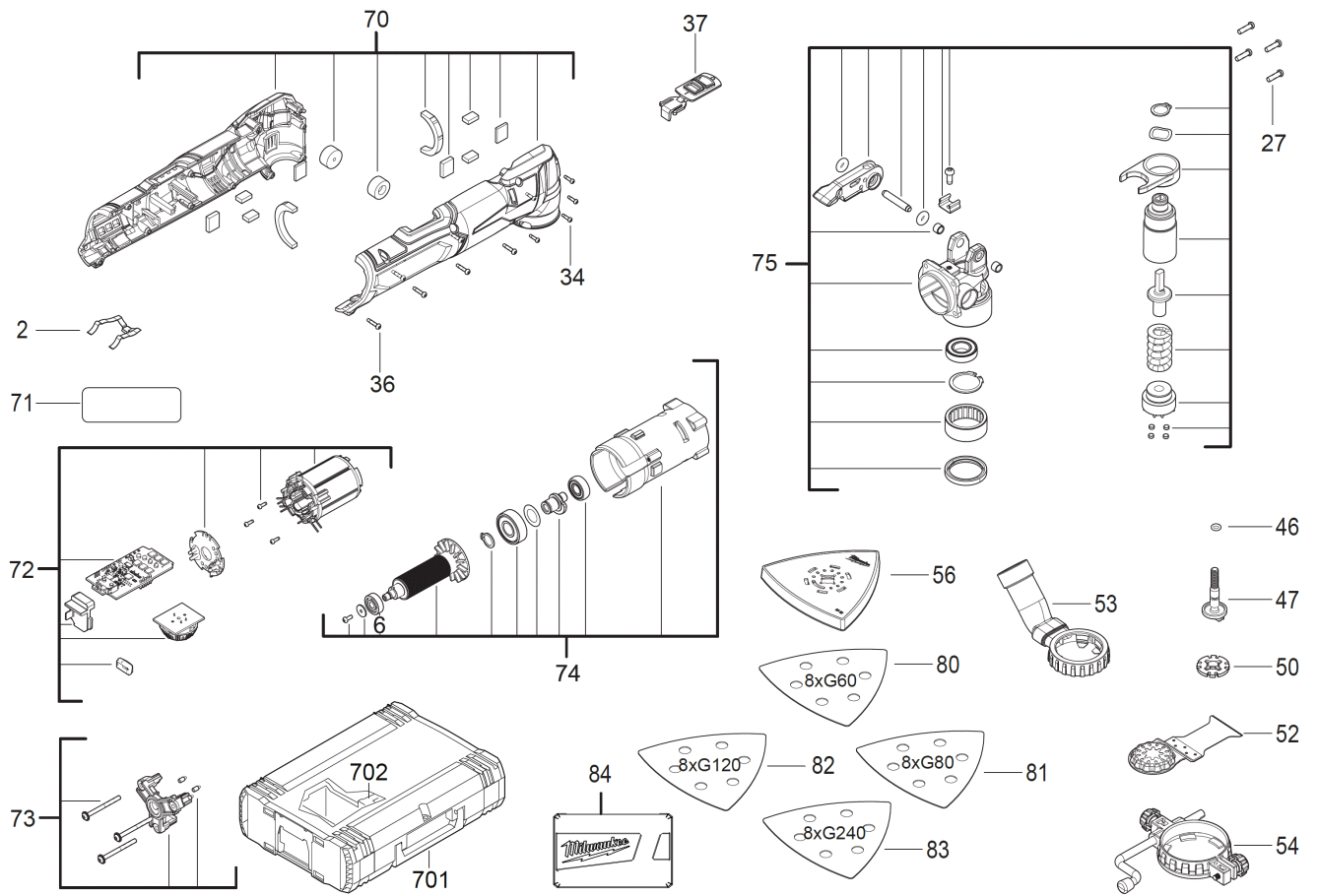


M12FMT-422X FUEL M12 MULTITOOL IN2

4933472239 - M12FMT-422X IN2 - 4000483450





Position	Quantity	Description	Part number	EAN
0002 1	1	SPRING ELEMENT	4931506540	4058546558543
0006 2	1	BALL BEARING	4931465987	4058546272043
0027 3	4	SCREW	4931465883	4058546239831
0034 4	5	SCREW	4931447534	4002395882823
0036 5	6	SCREW	660570005	4002395827329
0037 6	1	SLIDER	4931473391	4058546352677
0046 7	1	O-RING	4931473392	4058546352684
0047 8	1	FASTENING BOLT	4931473393	4058546352691
0050 9	1	ADAPTER DISC	4931473394	4058546352707
0052 10	1	BLADE	4931473395	4058546352714
0053 11	1	DUST EXTR.CONNECTOR	4931473396	4058546352721
0054 12	1	DEPTH GAUGE	4931473397	4058546352738
0056 13	1	GRINDING DISK	4931447574	4002395882960
0070 14	1	HOUSING	4931479363	4058546386788
0071 15	1	RATING PLATE	4931479364	4058546386795
0072 16	1	ELECTRONIC	4931479365	4058546386801
0073 17	1	BEARING END PLATE	4931473401	4058546352776
0074 18	1	ROTOR	4931473402	4058546352783
0075 19	1	GEAR BOX	4931473403	4058546352790
0080 20	1	Sand Paper D HL 93x93/6 G60-8pc	48902060	45242349166
0081 21	1	Sand Paper D HL 93x93/6 G80-8pc	Item discontinued(48902080)	
0082 22	1	Sand Paper D HL 93x93/6 G120-8pc	48902120	45242349135
0083 23	1	Sand Paper D HL 93x93/6 G240-8pc	Item discontinued(48902240)	
0084 24	1	TOOL BOX	4931473404	4058546352806
0702 25	1	INSERT	4931479059	4058546366278