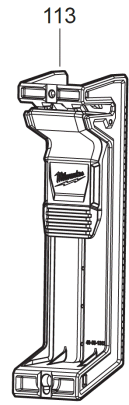
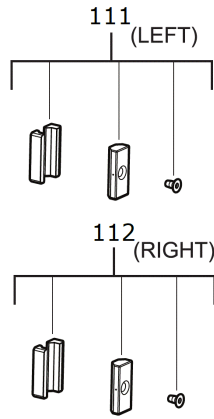
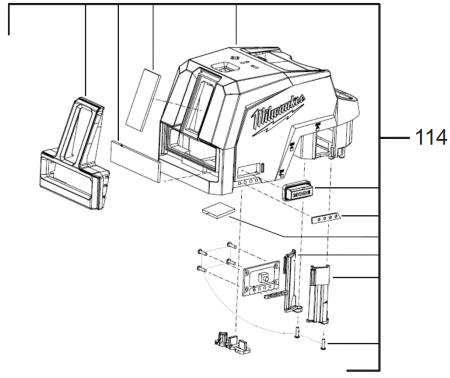
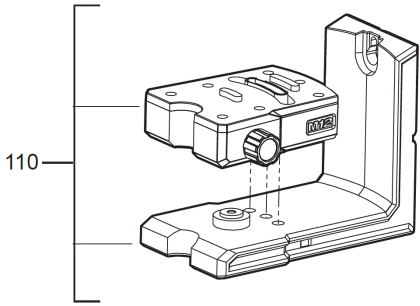
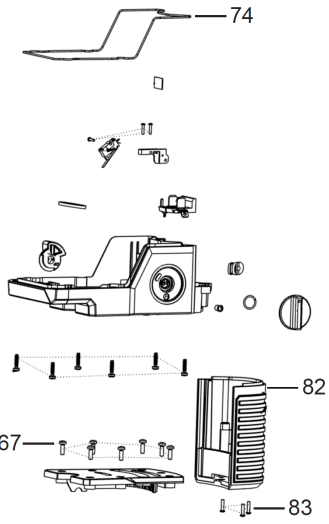


M12CLLP-0C M12 CROSS LINE/2P. LASER XXX

4933478101 - M12CLLP-0C - 4000477732





Position	Quantity	Description	Part number	EAN
0067 1	6	SCREW	4931508012	4058546626747
0074 2	1	SEAL	4931508013	4058546626754
0082 3	1	COVER	4931508014	4058546626761
0083 4	3	SCREW	4931508015	4058546626778
0110 5	1	CLAMP	4931508993	4058546636555
0111 6	2	MAGNET	4931483405	4058546389963
0112 7	2	MAGNET	4931473857	4058546364250
0113 8	1	CLIP	4931473858	4058546364267
0114 9	1	HOUSING	4931508016	4058546626785
0115 10	1	RATING PLATE	4931508017	4058546626792
0700 11	1	CARRYING CASE	4931473863	4058546364311