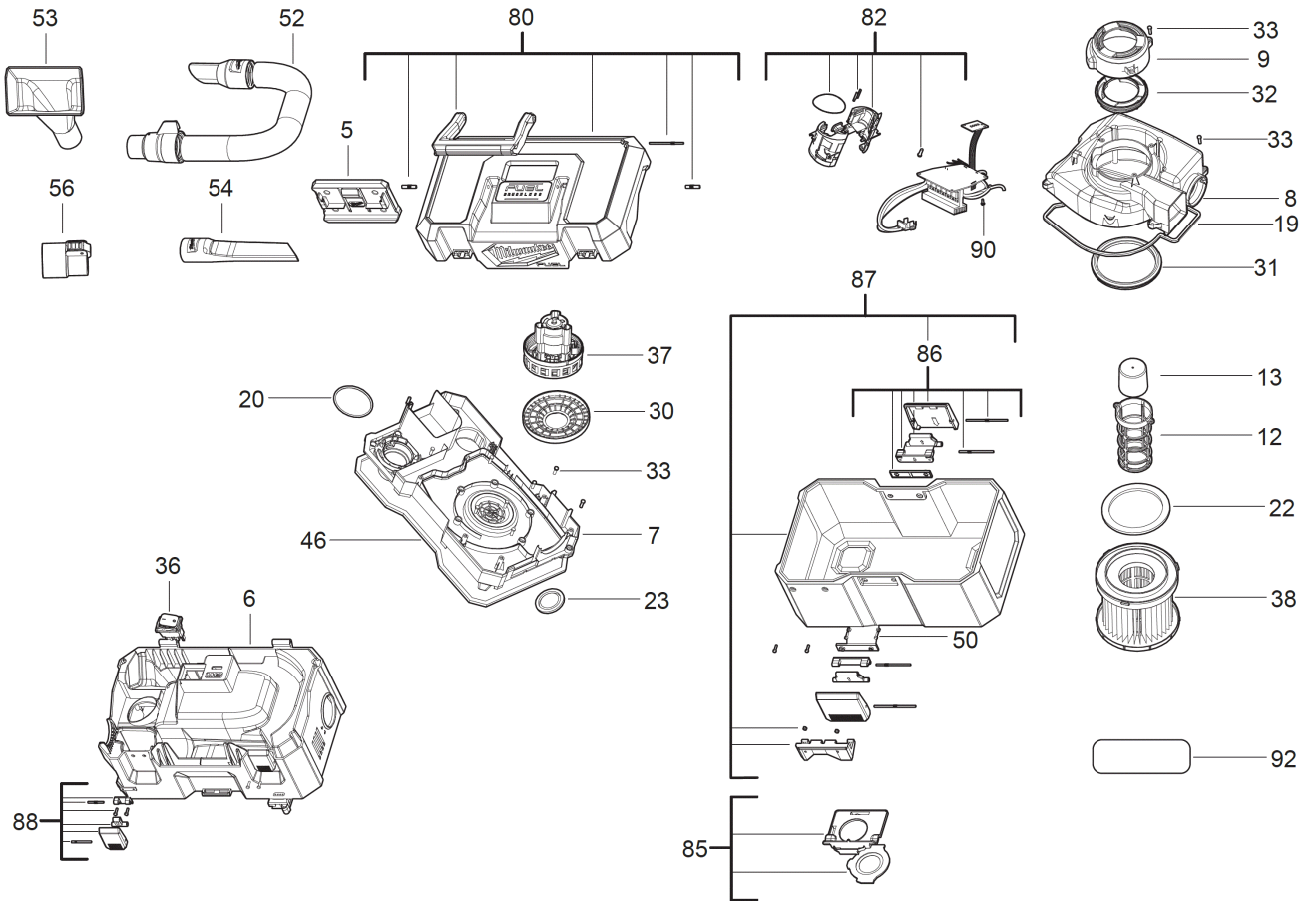


# M12FVCL-0 M12 FUEL WET DRY VACUUM XXX

4933478186 - M12FVCL-0 - 4000477648





Position	Quantity	Description	Part number	EAN
0005 1	1	COVER CAP	4931473826	4058546363949
0006 2	1	HOUSING	4931473827	4058546363956
0007 3	1	HOUSING	4931473828	4058546363963
0008 4	1	MOTOR HOUSING	4931473829	4058546363970
0009 5	1	HOUSING CAP	4931473830	4058546363987
0012 6	1	AIR FILTER HOUSING	4931473831	4058546363994
0013 7	1	FLOAT BALL	4931473832	4058546364007
0019 8	1	MOTOR SEAL	4931473834	4058546364021
0020 9	1	SEAL	4931473835	4058546364038
0022 10	1	SEAL	4931473836	4058546364045
0023 11	1	SEAL	4931473837	4058546364052
0030 12	1	SEAL	4931473838	4058546364069
0031 13	1	SEAL	4931473839	4058546364076
0032 14	1	SEAL	4931473840	4058546364083
0033 15	30	SCREW	4931473841	4058546364090
0036 16	1	SWITCH ON-OFF	4931473842	4058546364106
0037 17	1	MOTOR	4931473843	4058546364113
0046 18	1	SEAL	4931473844	4058546364120
0050 19	8	SCREW	4931473845	4058546364137
0052 20	1	HOSE	4931473846	4058546364144
0053 21	1	ALL-PURPOSE NOZZLE	4931465227	4058546233273
0054 22	1	CREVICE TOOL	4931465228	4058546233280
0056 23	1	CONNECTOR	4931447294	4002395251490
0080 24	1	COVER	4931473847	4058546364151
0082 25	1	HOUSING FOR BATTERY	4931473848	4058546364168
0085 26	1	DUST BAG	4931473849	4058546364175
0086 27	2	LATCH	4931473850	4058546364182
0087 28	1	TANK	4931473851	4058546364199
0088 29	2	LATCH	4931473852	4058546364205
0090 30	3	SCREW	4931473853	4058546364212
0092 31	1	RATING PLATE	4931473854	4058546364229
0038 32	1	DRY FILTER HEPA UNIVERSAL REPLACEMENT	4932478754	4058546360368